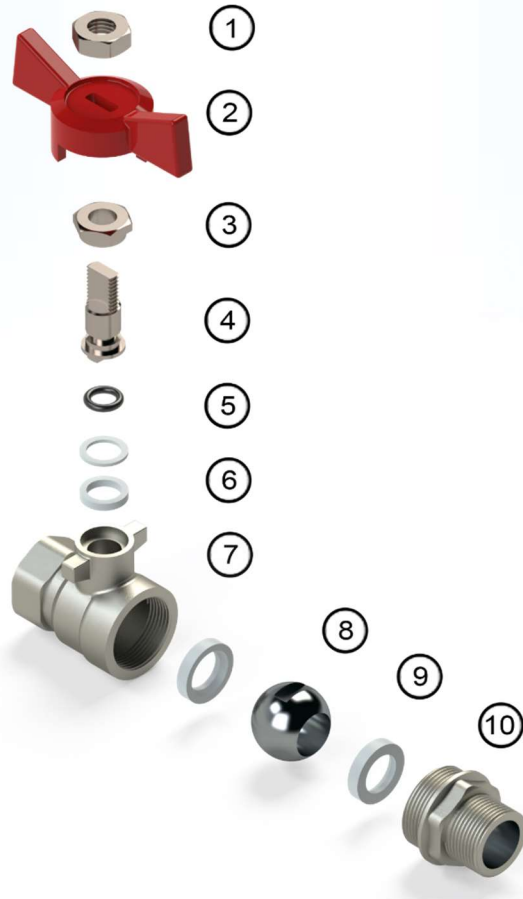


Item no	$\varnothing Di-1$	$\varnothing Di-2$	$\varnothing Df$	Lb	F-1	F-2	Ct-1	B
0400995	1/4"	1/4"	9 mm	47 mm	8 mm	8 mm	32 mm	26.5 mm



Sl No	PART
1	Stem Nut
2	Handle
3	Gland Nut
4	Stem
5	O-Ring
6	Washer
7	Body
8	Ball
9	Seat ring
10	Cap