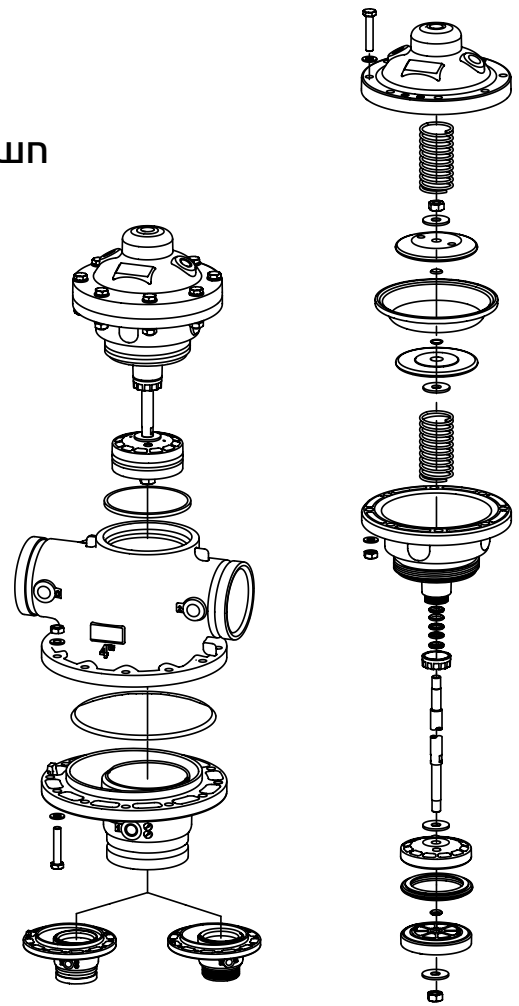


IR - Spare Parts

Ordering Guide

Illustrated Parts Breakdown



IR - Spare Parts - Ordering Guide

Illustrated Parts Breakdown

October 2014

Water Control Solutions



Dear Colleagues,

The BERMAD Irrigation Team is pleased to present you with the 2014 “Spare Parts Ordering Guide”.

This new Ordering Guide provides a new approach to the subject of spare parts as a whole, permitting the ordering of assembled units and/or packaged kits rather than individual parts.

We believe that the new approach will contribute to higher quality service, lower down-time and minimized stock control & volume.

To achieve these benefits, we reviewed all of the product drawings, updated them where required, redesigned them and arranged them into a more “user friendly” format.

As an example, you can see in the below:

- Assemblies and parts that can be ordered are marked with an identification number [50, 49, 1a...].
- Part Kits that are now available to order are clearly marked:
 - Bolts & Nuts Kit [91]: Includes all the bolts and nuts of the valve. Each part dimension and quantity is specified.
 - Elastomer Kit [90]: Includes all the elastomers and O-Rings in the valve.
 - Each O-Ring dimension and quantity is specified.
- For additional convenience, “Exploded View” drawings are also included. In the example below the Exploded View of the Actuator presents the parts included in the assembly.

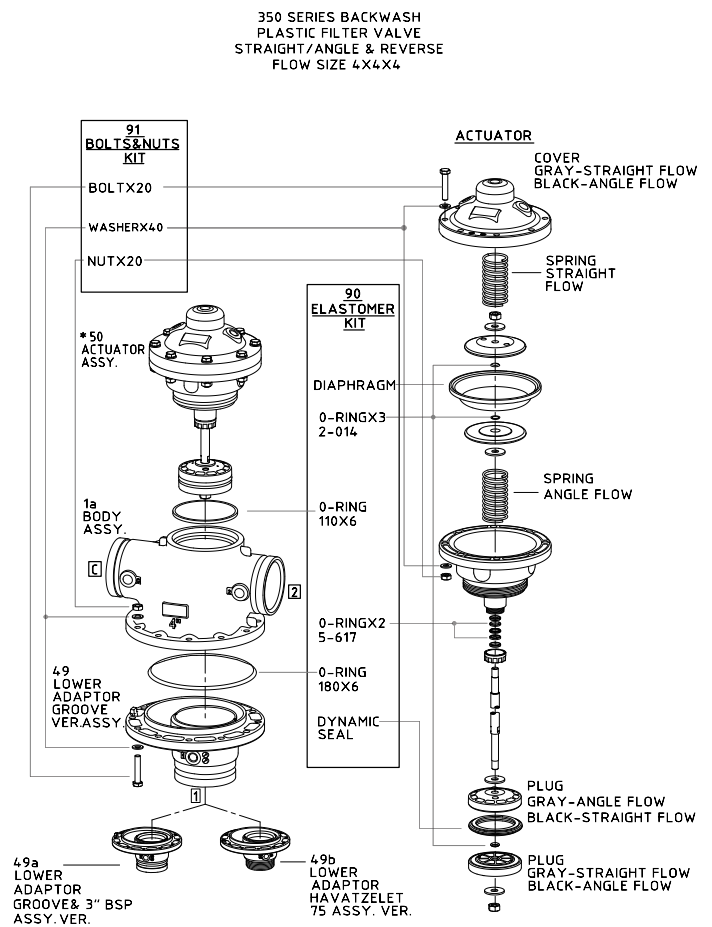
Note: These “untagged” parts can only be ordered as part of their Assembly.

To Order, please specify:

Page Number [10d], Valve Size [4x4] and Assembly / Kit Number

Best regards,


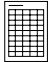




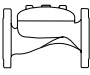
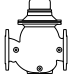
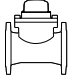
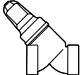



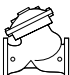

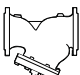


BERMAD IR Team





Contents

Page

	Ordering Guide Example		
	Ordering Form		
	100 Series	hYflow High Performance Plastic BERMAD Control Valves 1½" - 6"	01 - 03
	200 Series	Plastic BERMAD Valves ¾" - 2"	1 - 6
	300 Series	Double Chamber BERMAD Control Valves 1½" - 3"	7 - 9
	350 Series	Filter Backwash Hydraulic Control BERMAD Valves	10 - 11b
	400 Series	Diaphragm Hydraulic Control BERMAD Valves with Plastic / Metal Pilot and Accessories ¾" - 14"	12 - 13c
	900 Series	Hydrometer & Metering BERMAD Valves with Plastic / Metal Pilot and Accessories 1½" - 10"	15 - 17g
	WPH Series	TURBO-IR-A (Paddle-Wheel) 2" - 12" & TURBO-BAR-WPH (Woltman) 1½" - 20"	19 - 19T
	PRV Series	Direct Acting BERMAD Pressure Reducers	20 - 23
	AV Series	Kinetic, Automatic & Combination BERMAD Air Valves for Water & Wastewater	NEW 24a - 26b
	S Series	Solenoid & Pilot Valves	29 - 31b
	PC Series	Mini Pilot Valves	32 - 37a
	700 Series	Diaphragm Actuated Basic Control Valves	38 - 42
	Pilots	Pilot Valves	44 - 50b
	70F Series	700 Series Compatible Strainers	55
	70N Series	700 Series Compatible Mechanical	56
	Accessories		60



Ordering Guide Example

Please Indicate:

1. Page No.
2. Valve series
3. Valve size
4. Part No.
5. Part name
6. Quantity
7. Remarks (Spring color, special material, etc.)

Page No.	Valve series	Valve size	Part No.	Part name	Qty	Remarks (Spring color, special material etc.)
6	200	2"	12	Cover assy with flow stem	50	
8	300	2"	14	Stem	2	

Example

To Order:

1. Make a copy of the Ordering Form (next page).
2. Fill out your order details

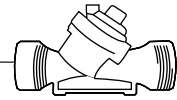
or

1. Make a copy of the article page and circle the required parts.
2. Mention size and quantity

and

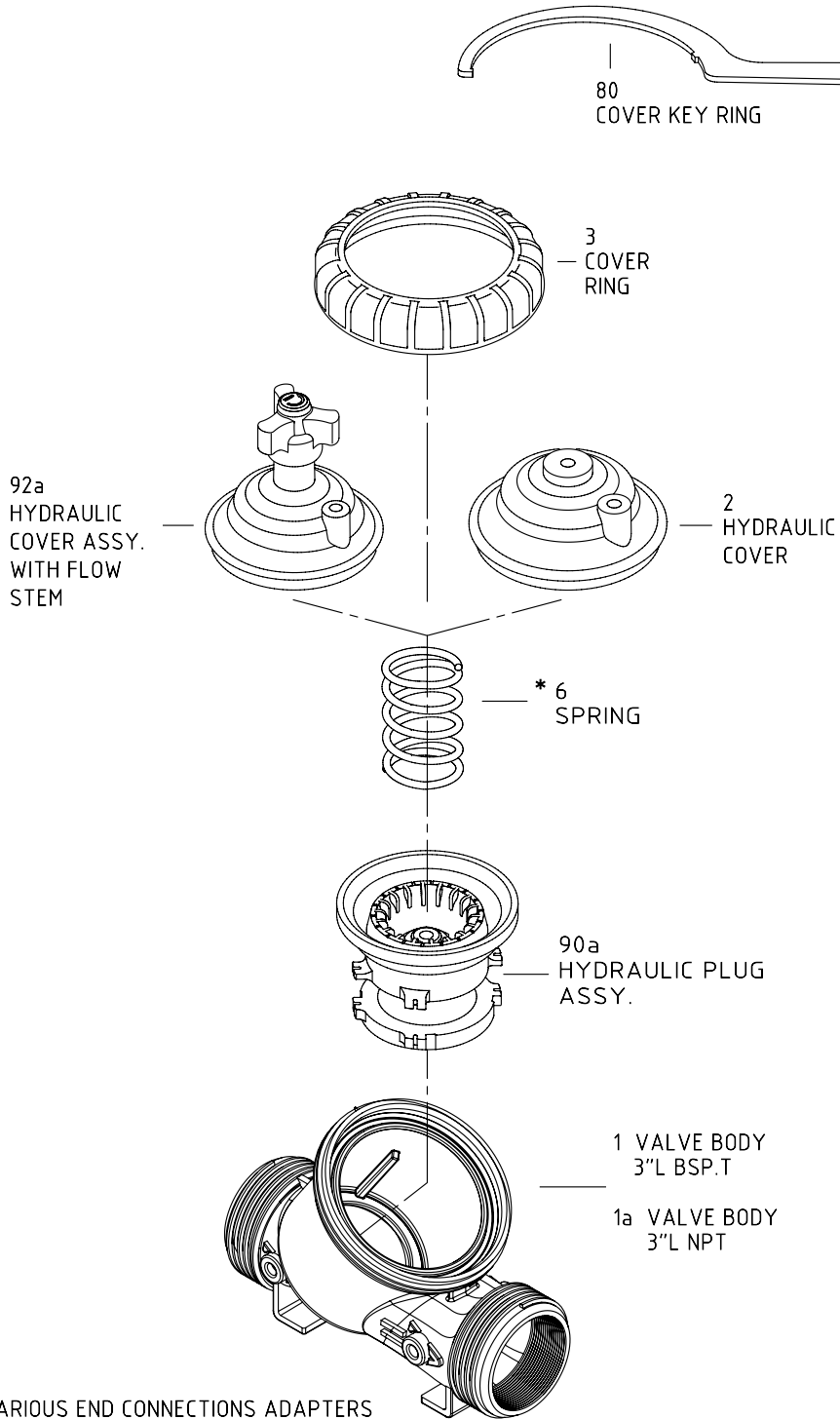
3. Fax it to the relevant desk at Bermad:

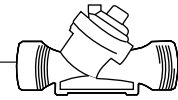
Export Department: (972) (4) 985-5333
 Latin America Desk: (972) (4) 985-7681
 Asia Pacific Desk: (972) (4) 985-7662
 USA & EMEA Desk: (972) (4) 985-7651
 Domestic Market: 04-985-5380



Y-Pattern Hydraulic Control Valves

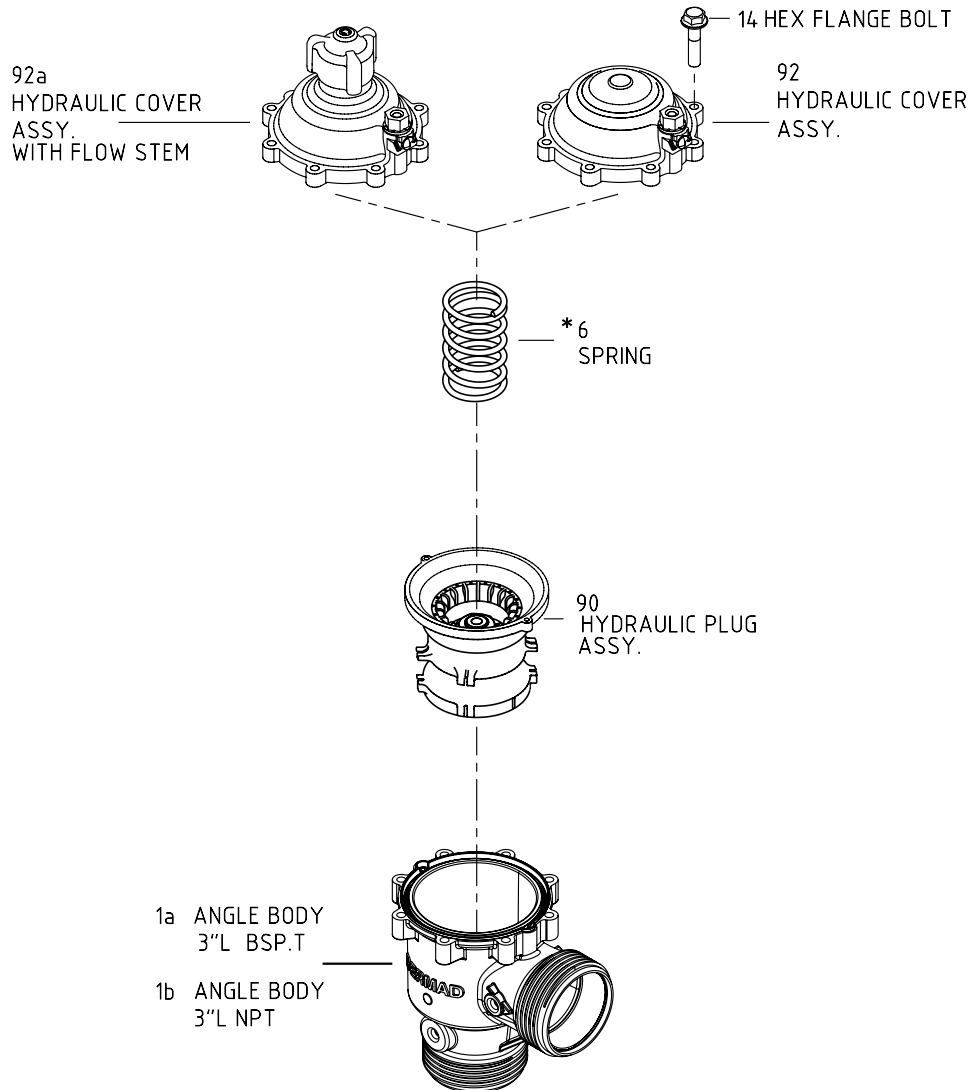
Sizes: 3L - 4"; DN80L-100





A-Pattern Hydraulic Control Valves

Sizes: 3L-4"; DN80L-100



VARIOUS END CONNECTIONS ADAPTERS
(SEE PAGE 02g)

*DIFFERENT SPRINGS



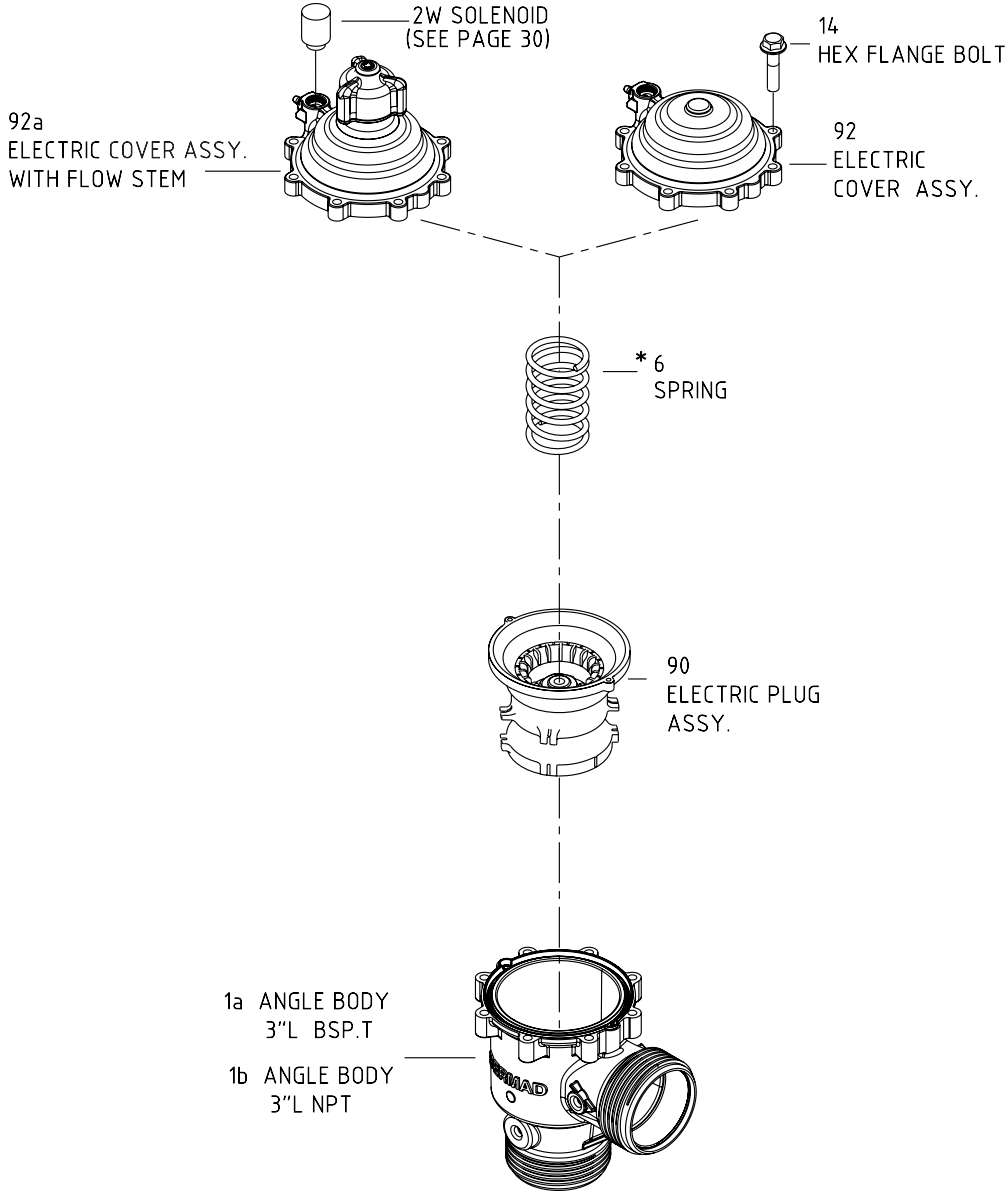
BERMAD IR Spare Parts



100 Series

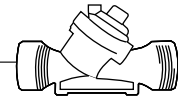
A-Pattern Electric Control Valves

Sizes: 3L-4"; DN80L-100



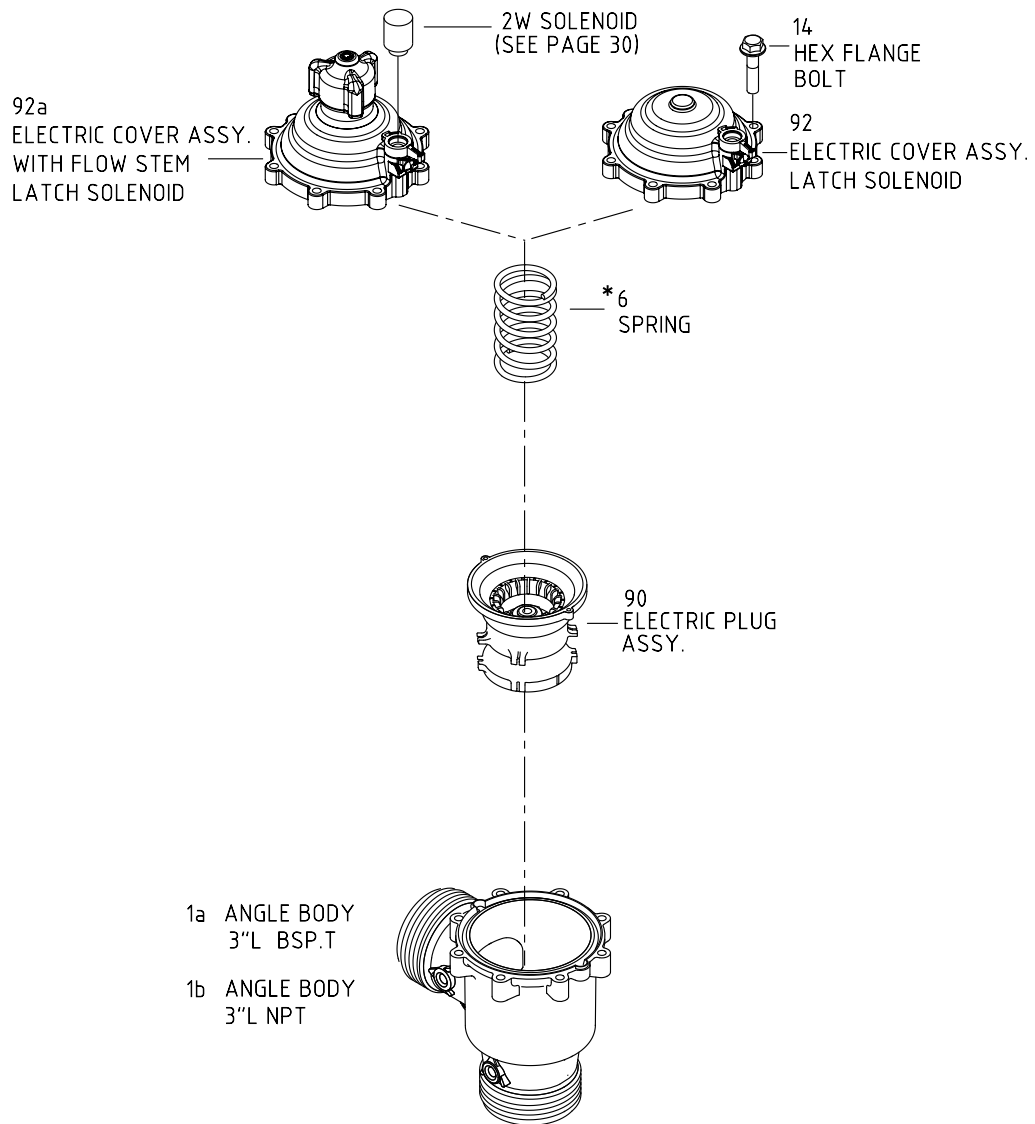
VARIOUS END CONNECTIONS ADAPTERS
(SEE PAGE 02g)

* DIFFERENT SPRINGS



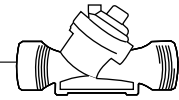
A-Pattern Electric Control Valves Latch Solenoid Model

Sizes: 3L-4"; DN80L-100



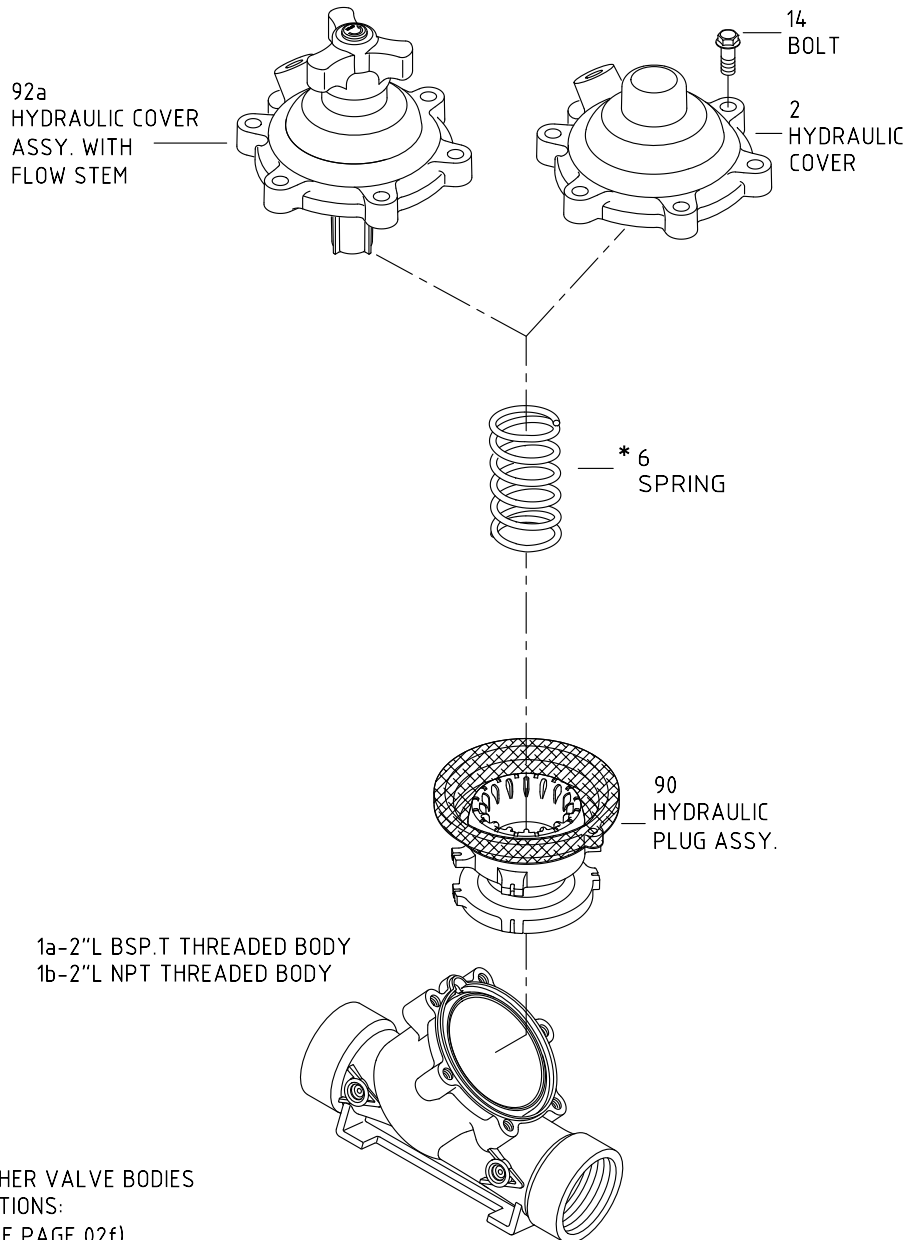
VARIOUS END CONNECTIONS ADAPTERS
(SEE PAGE 02g)

* DIFFERENT SPRINGS



Y, A, T, & D-Pattern Hydraulic Control Valves

Sizes: 2L-3"; DN50L-80



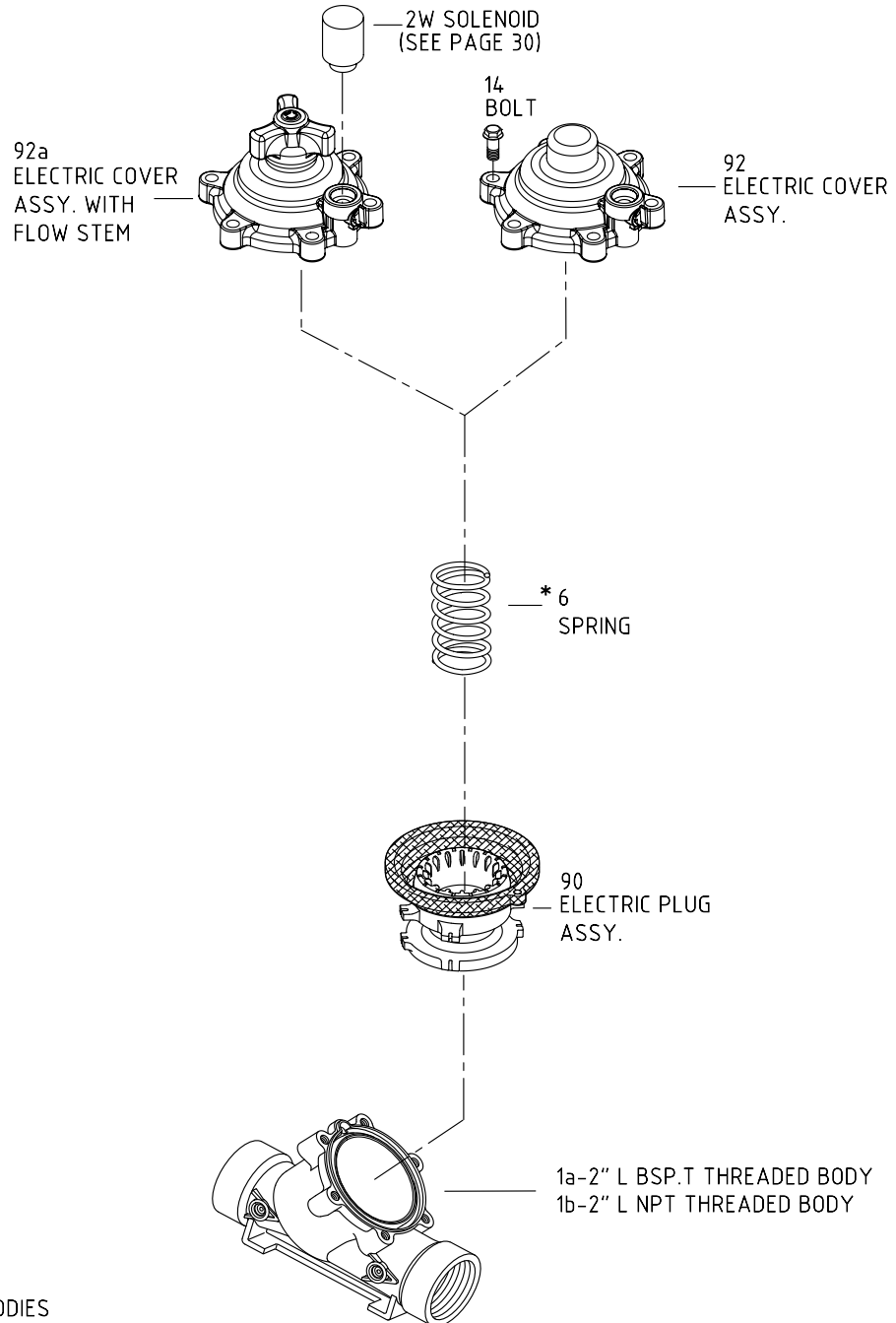
OTHER VALVE BODIES
OPTIONS:
(SEE PAGE 02f)
VARIOUS END CONNECTIONS ADAPTERS
(SEE PAGE 02g)

* DIFFERENT SPRINGS

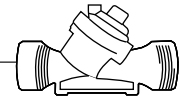


Y, A, T, & D-Pattern Electric Control Valves

Sizes: 2L-3"; DN50L-80

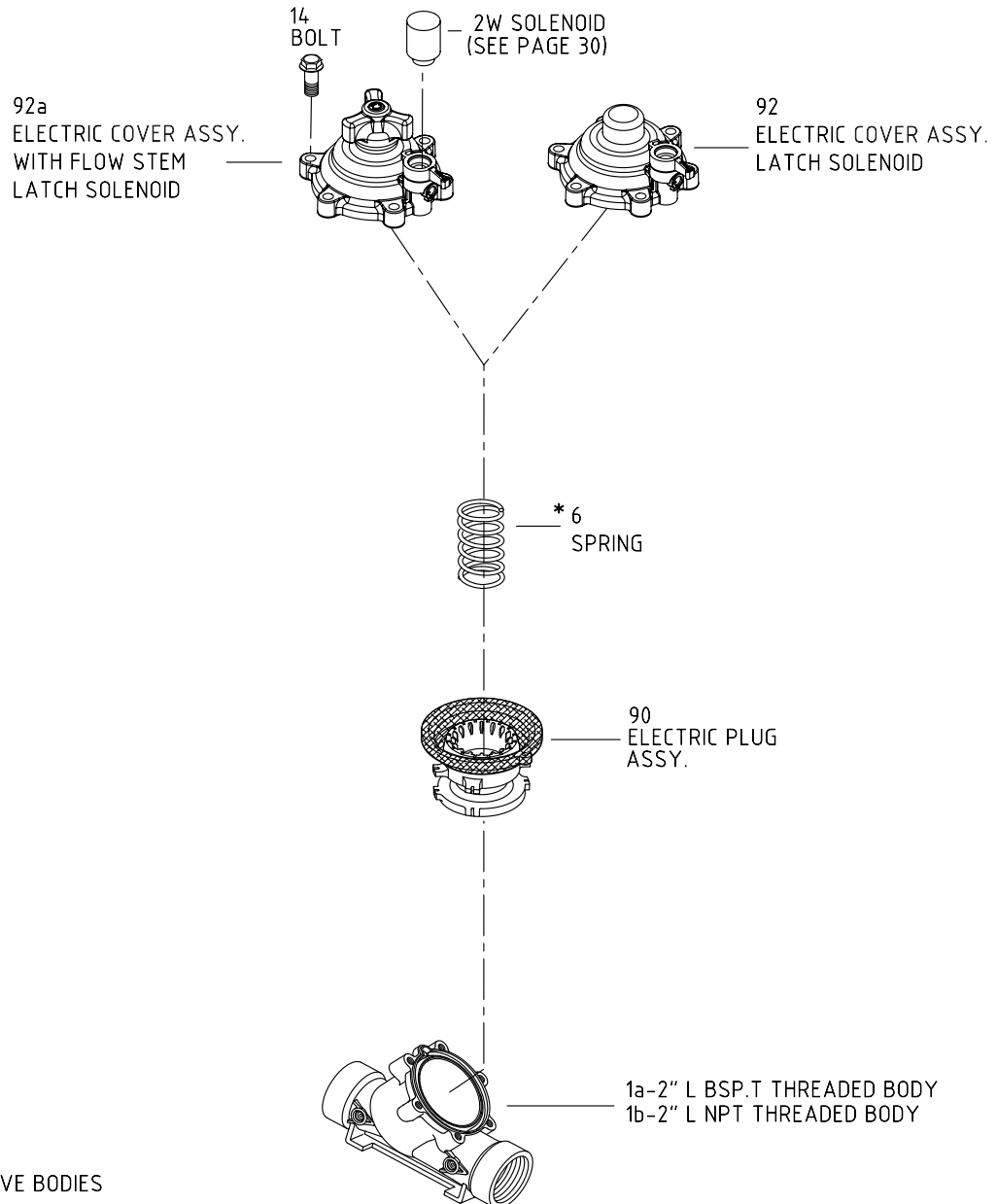


OTHER VALVE BODIES
OPTIONS:
(SEE PAGE 02f)
VARIOUS END CONNECTIONS ADAPTERS
(SEE PAGE 02g)
* DIFFERENT SPRINGS



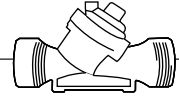
Y, A, T, & D-Pattern Electric Control Valves Latch Solenoid Model

Sizes: 2L-3"; DN50L-80



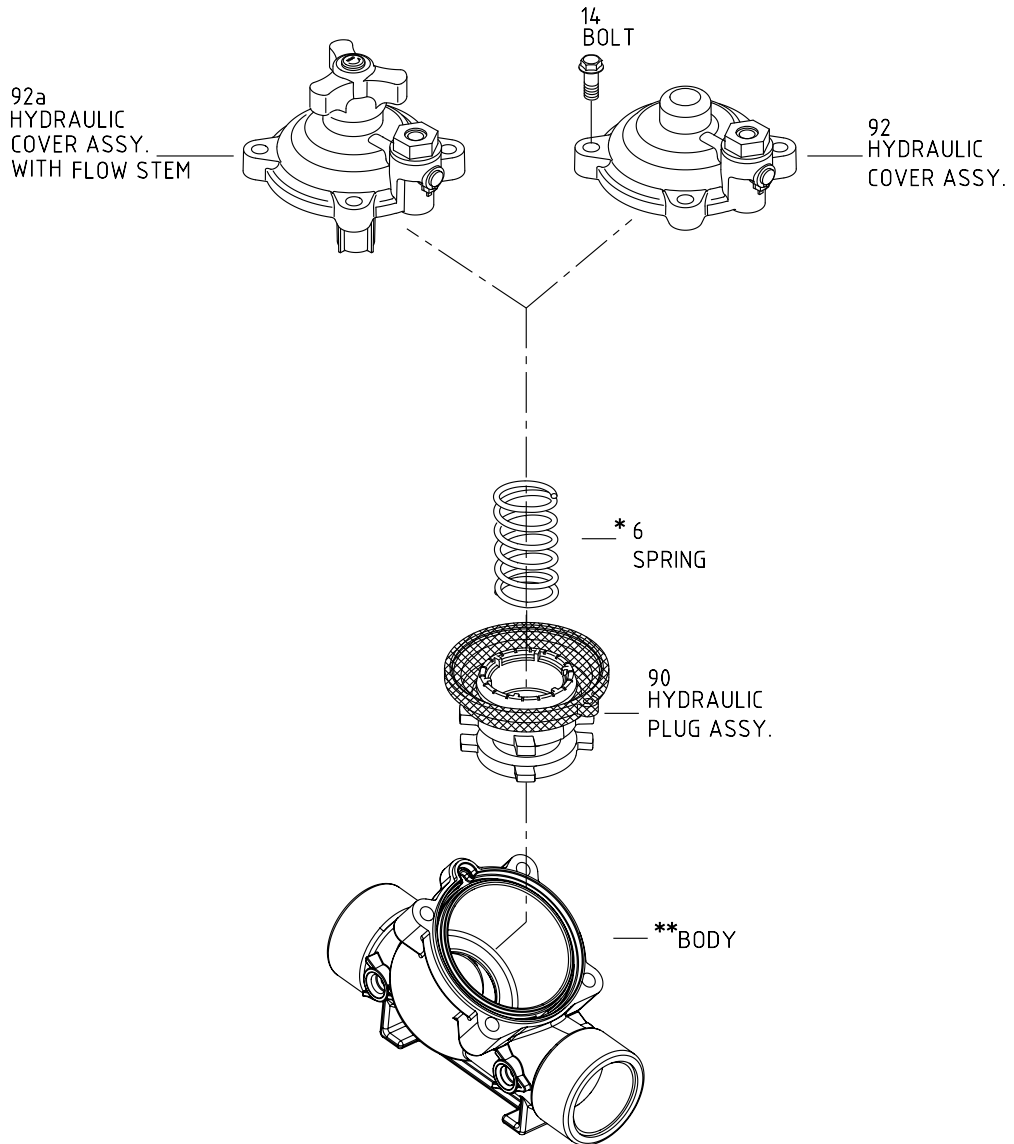
OTHER VALVE BODIES
OPTIONS:
(SEE PAGE 02f)
VARIOUS END CONNECTIONS ADAPTERS
(SEE PAGE 02g)

* DIFFERENT SPRINGS



Y-Pattern Hydraulic Control Valves

Sizes: 1½-2"; DN40-50



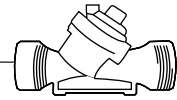
**** OPTION BODY**

2" ; DN50 -1e,1d

1.5" ; DN40 - 1a,1b

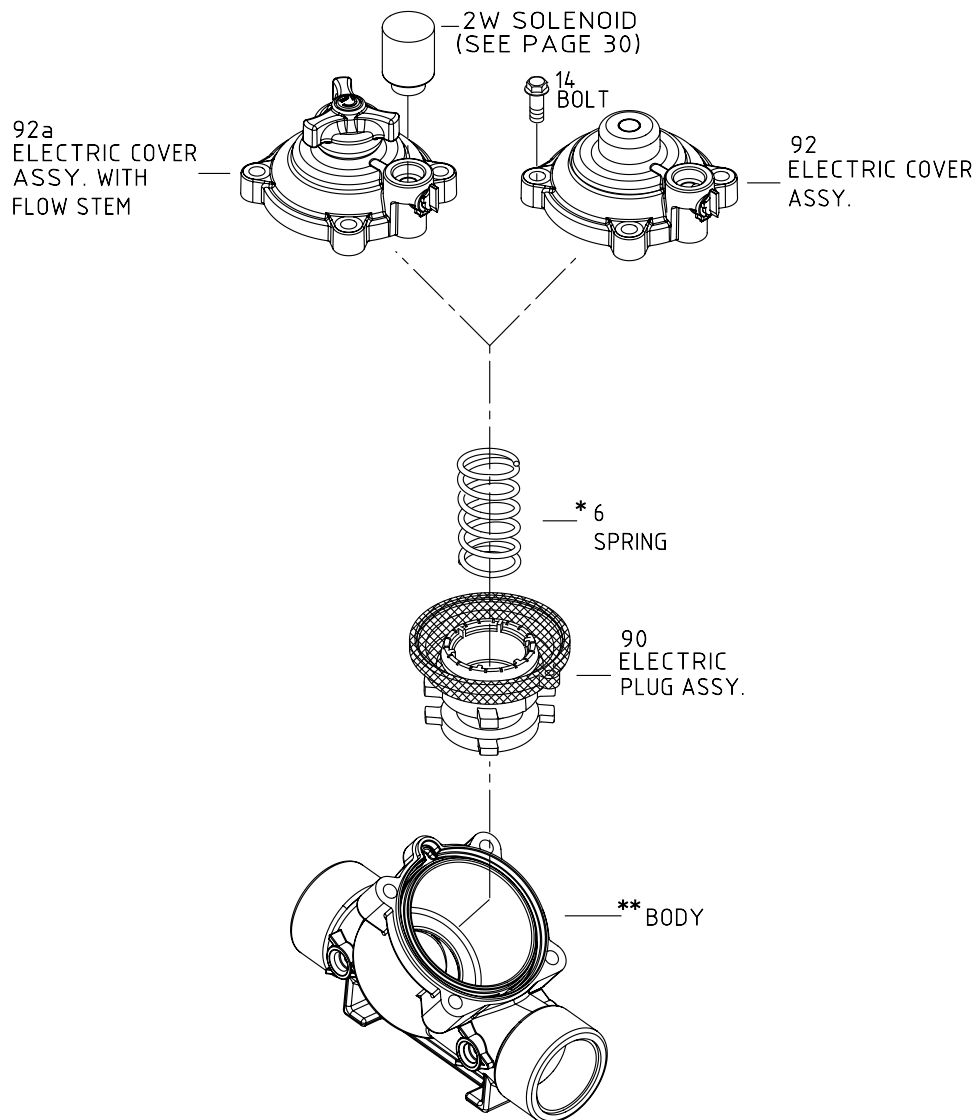
2" ; DN50-BSP.F BODY-1c

* DIFFERENT SPRINGS



Y-Pattern Electric Control Valves

Sizes: 1½-2"; DN40-50



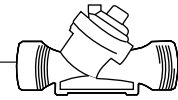
* **OPTION BODY**

2" ; DN50 -1e,1d

1.5" ; DN40 - 1a,1b

2" ; DN50-BSP.F BODY-1c

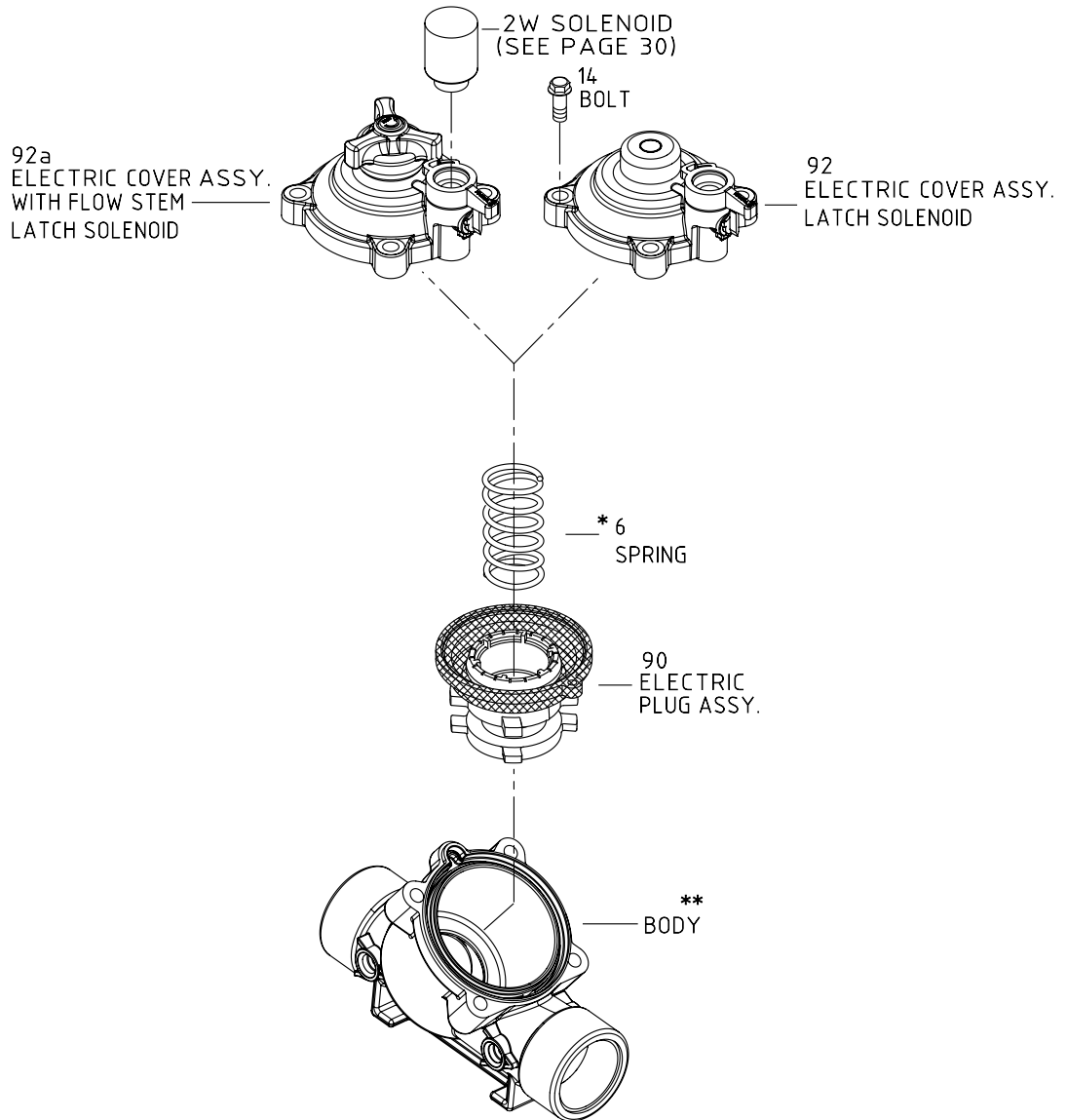
DIFFERENT SPRINGS



Y-Pattern Electric Control Valves

Latch Solenoid Model

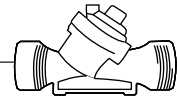
Sizes: 1½-2"; DN40-50



- ** **OPTION BODY**
 - 2" ; DN50 -1e,1d
 - 1.5" ; DN40 -1a,1b
 - 2" ; DN50-BSP.F BODY-1c
- * DIFFERENT SPRINGS



BERMAD IR Spare Parts

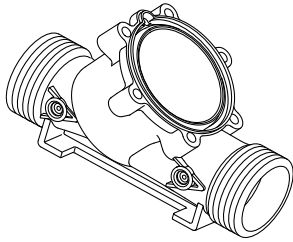


100 Series

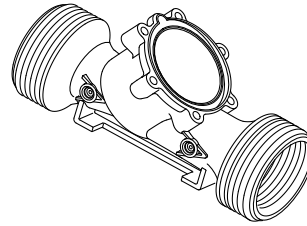
Y, A, T & D- Bodies Patterns Options

Sizes: 2L-3"; DN50L-80

1f-2.5"BSP.F
THREAD BODY

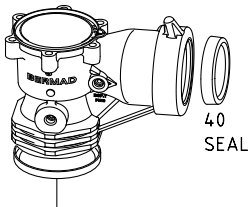


1d-3"BSP.T THREAD BODY
1e-3"NPT THREAD BODY



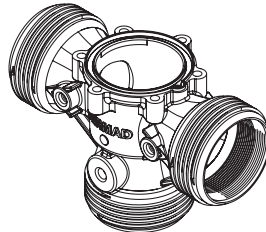
VARIOUS END CONNECTORS
ADAPTERS SEE PAGE 02g

95j-3"BSP.T
ANGLE HORN BODY ASSY.
95k - 3"NPT
ANGLE HORN BODY ASSY.



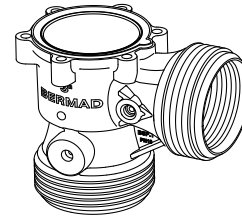
S.S. REINFORCEMENT
RING

95g 3" BSP.T
EXTERNAL THREAD ENDS
TEE BODY
95h 3" NPT
EXTERNAL THREAD ENDS
TEE BODY



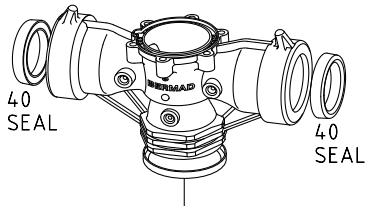
VARIOUS END CONNECTORS
ADAPTERS SEE PAGE 02g

1f -3"BSP.T
EXTERNAL THREAD ENDS
ANGLE BODY
1u - 3"NPT
EXTERNAL THREAD ENDS
ANGLE BODY



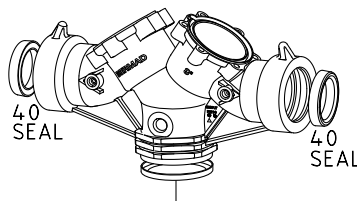
VARIOUS END CONNECTORS
ADAPTERS SEE PAGE 02g

95l - 3"BSP.T
HORN TEE BODY ASSY.
95m- 3"NPT
HORN TEE BODY ASSY.



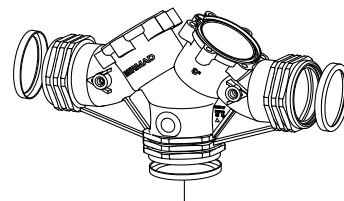
S.S. REINFORCEMENT
RING

95n-3"BSP.T
HORN DUAL BODY ASSY.
95p-3"NPT
HORN DUAL BODY ASSY.



S.S. REINFORCEMENT
RING

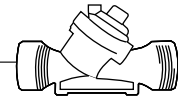
95r -3"BSP.T
THREAD DUAL BODY ASSY.
95s -3"NPT
THREAD DUAL BODY ASSY.



S.S. REINFORCEMENT
RING



BERMAD IR Spare Parts

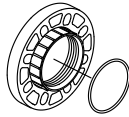


100 Series

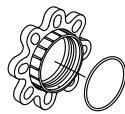
End Connections Adaptors Options

Sizes: 3-4"; DN80-100

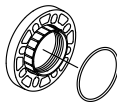
FLANGE ASSY. END CONNECTIONS ADAPTORS



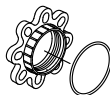
91
4" PLASTIC FLANGE
ASSY.



91a
4" METAL FLANGE
ASSY.



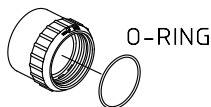
91
3" PLASTIC FLANGE
ASSY.



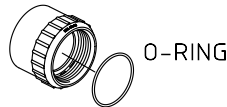
91a
3" METAL FLANGE
ASSY.

PVC END CONNECTIONS ADAPTORS

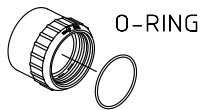
T1 ID 90mm
OD 110mm



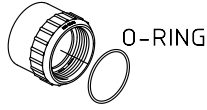
T2 ID 110 mm
OD 125 mm



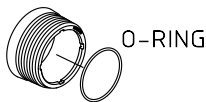
T3 ID 3"
OD 4"



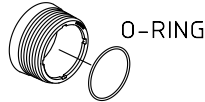
T4 ID 4"



BJ ID 75mm
OD R3"(3"BSPT)

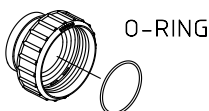


NJ ID 2.5"
OD 3"NPT

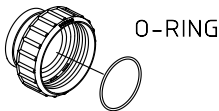


GROOVE END CONNETIONS ADAPTORS

TV -3 3" GROOVE
ADAPTOR

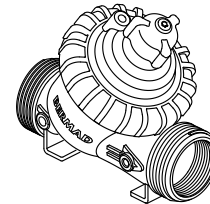


TV -4 4" GROOVE
ADAPTOR

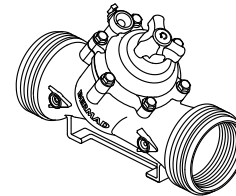


SUTABLE CONFIGURATION

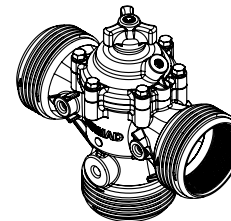
3"
L
Y PATTERN



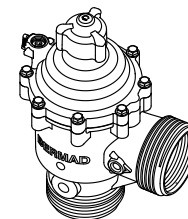
3"
Y PATTERN



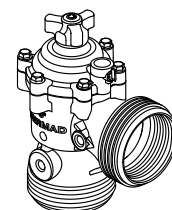
3"
T PATTERN



3"
L
A PATTERN



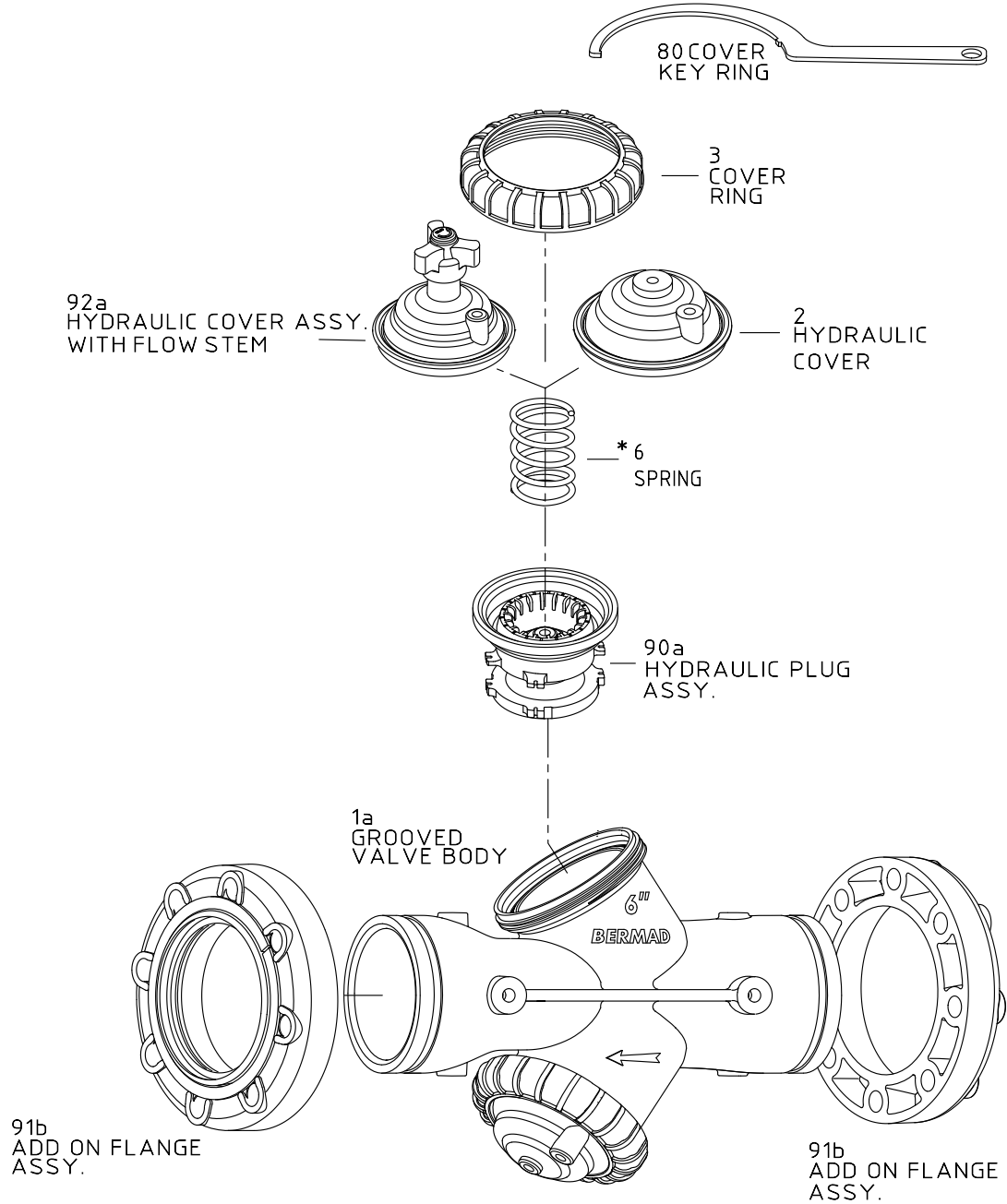
3"
A PATTERN

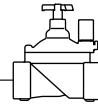




Boxer-Pattern Hydraulic Control Valve

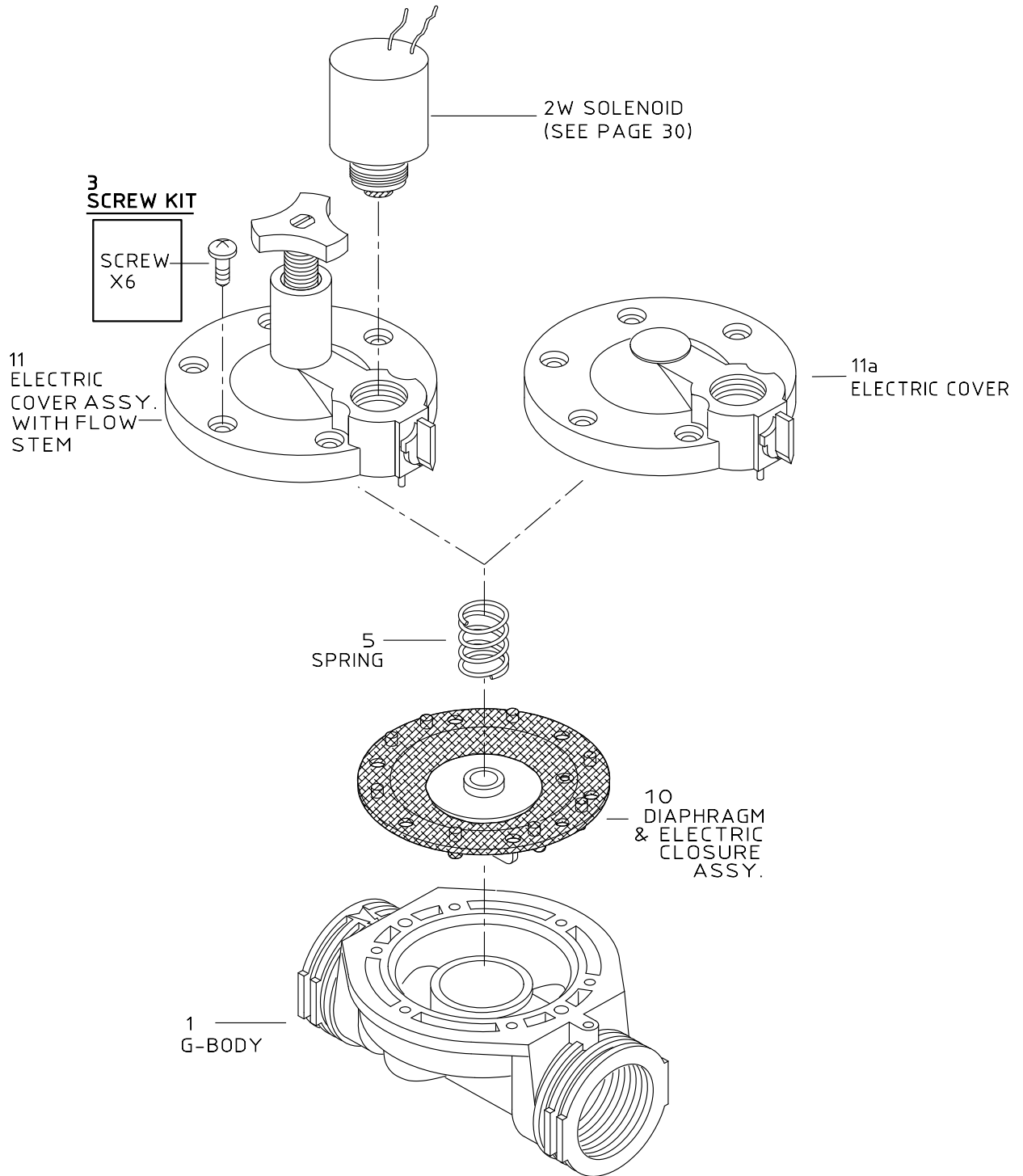
Size: 6"; DN150

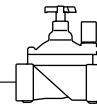




G-Pattern Electric Control Valve

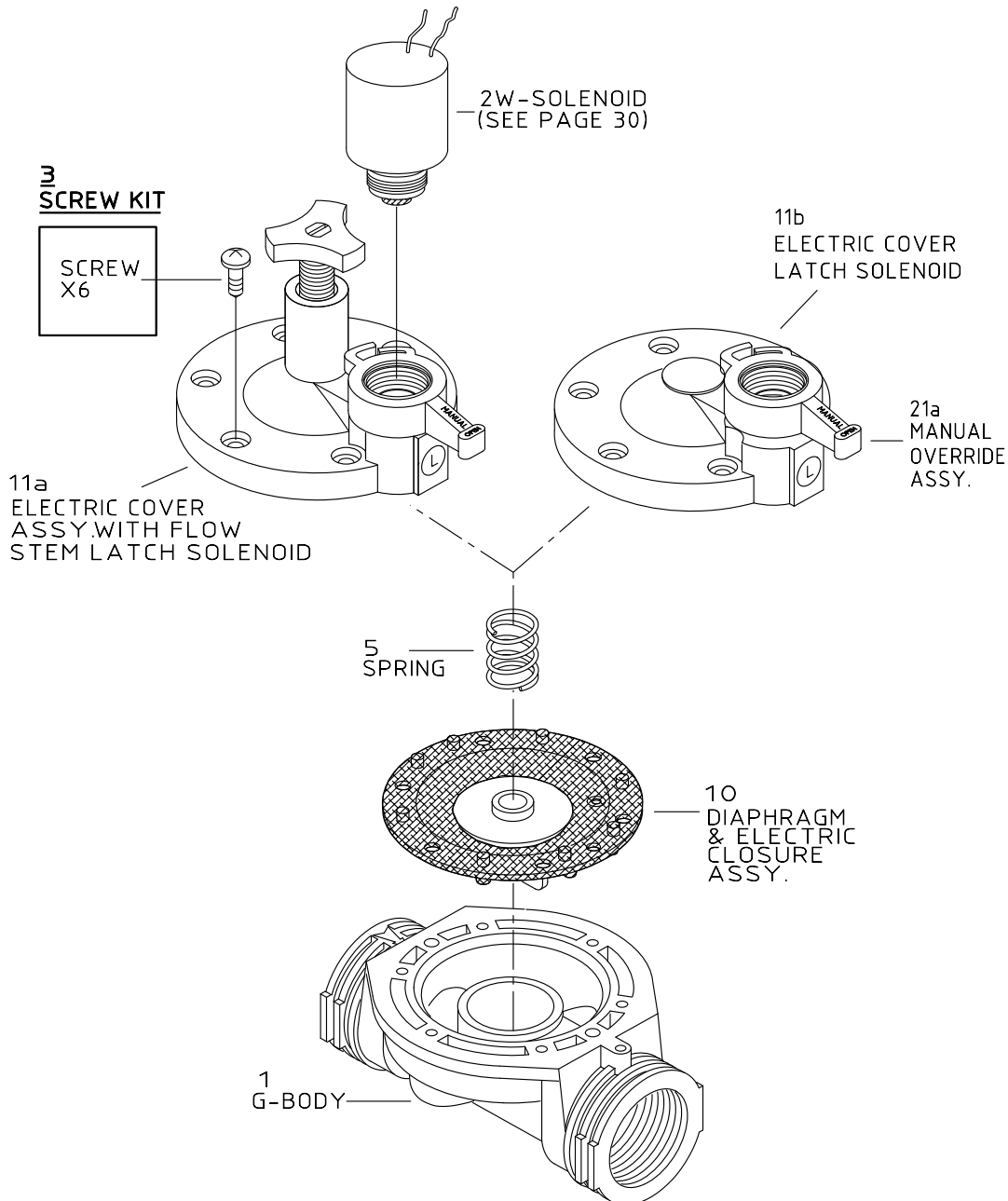
Sizes: 3/4-1"; DN20-25

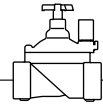




G-Pattern Electric Control Valve Latch Solenoid Model

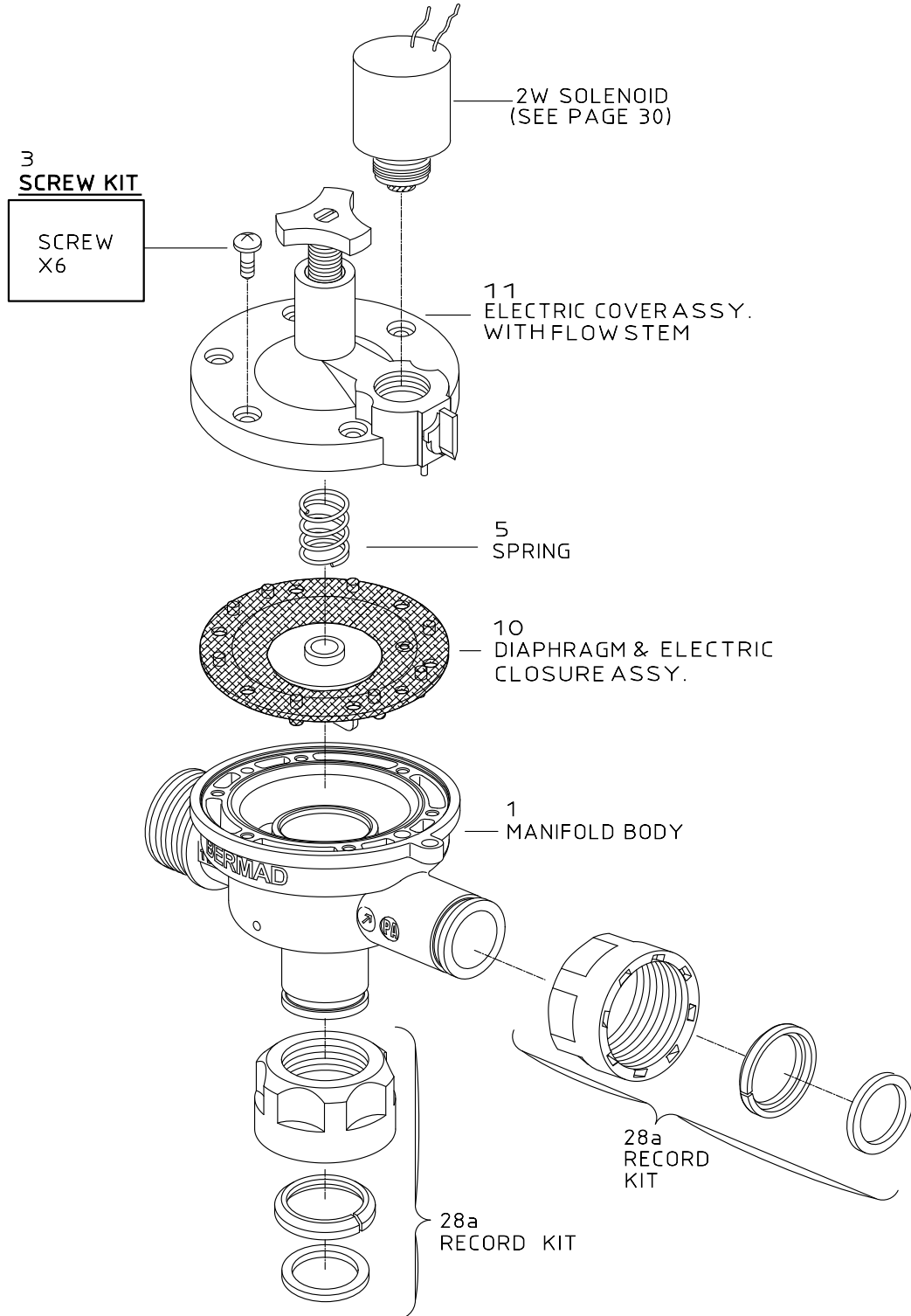
Sizes: 3/4-1"; DN20-25

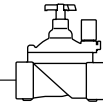




GM1-Electric Manifold Valve

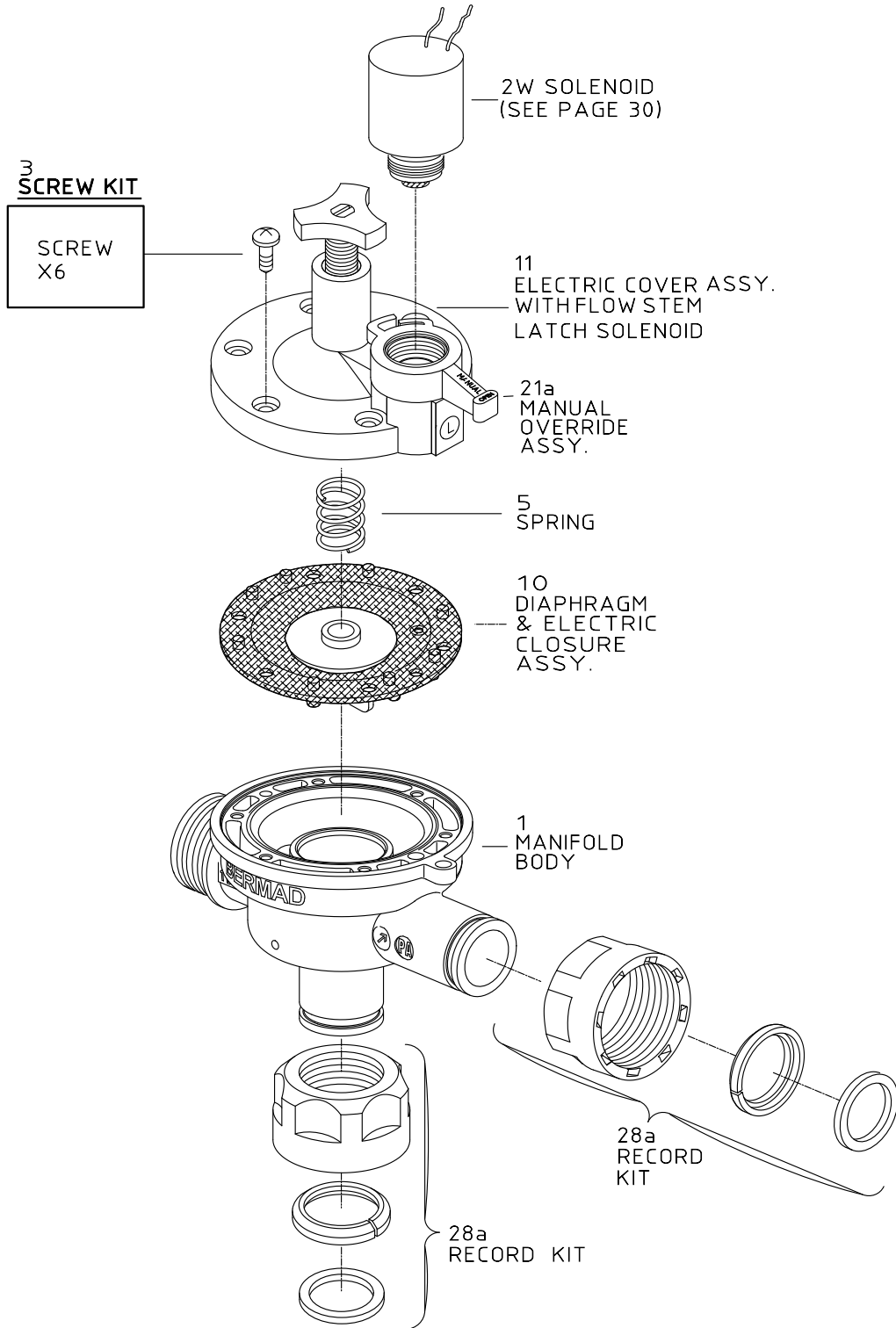
Size: 1"; DN25

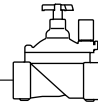




GM1-Electric Manifold Valve Latch Solenoid Model

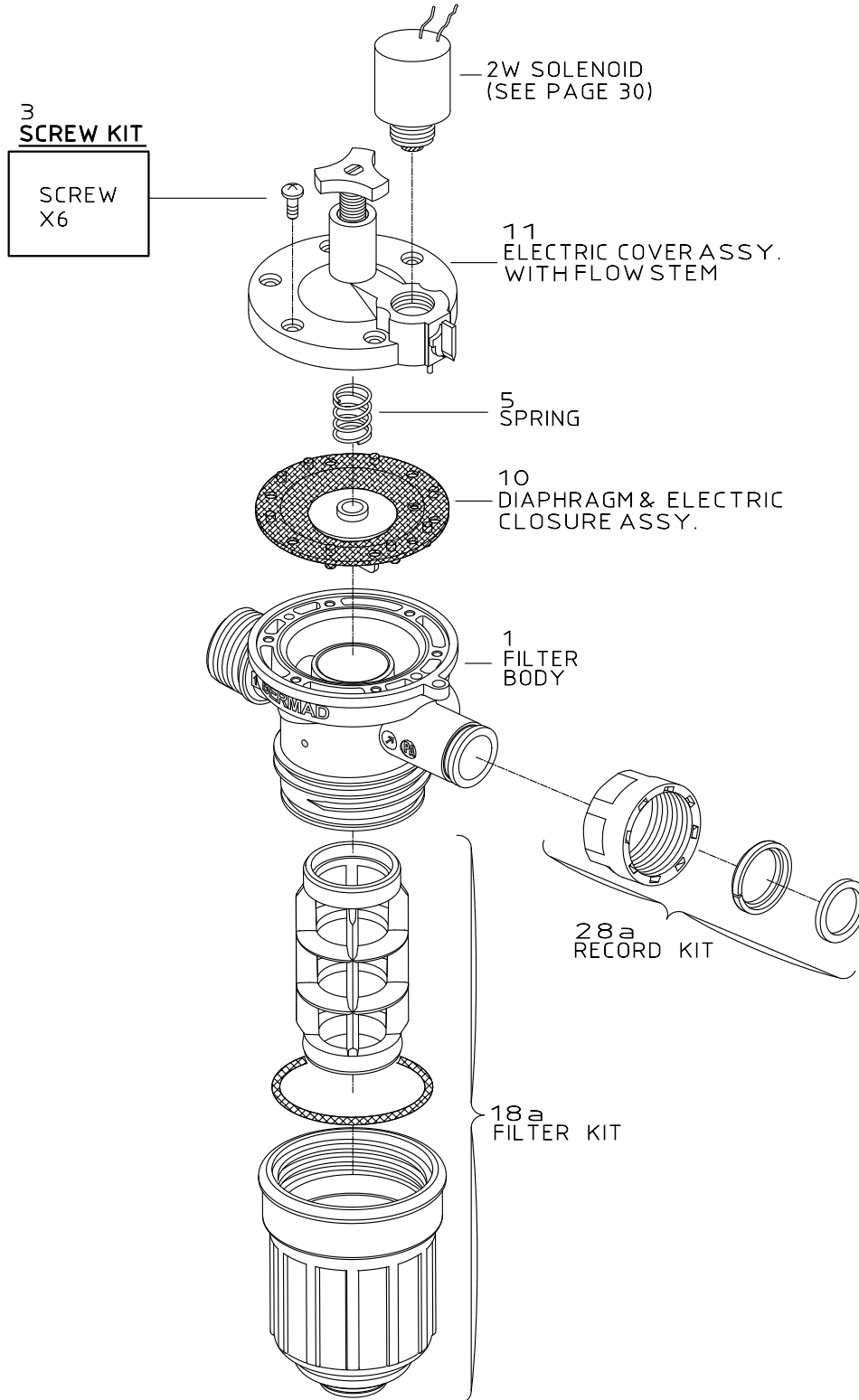
Size: 1", DN25

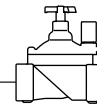




GF1-Electric Filter Valve

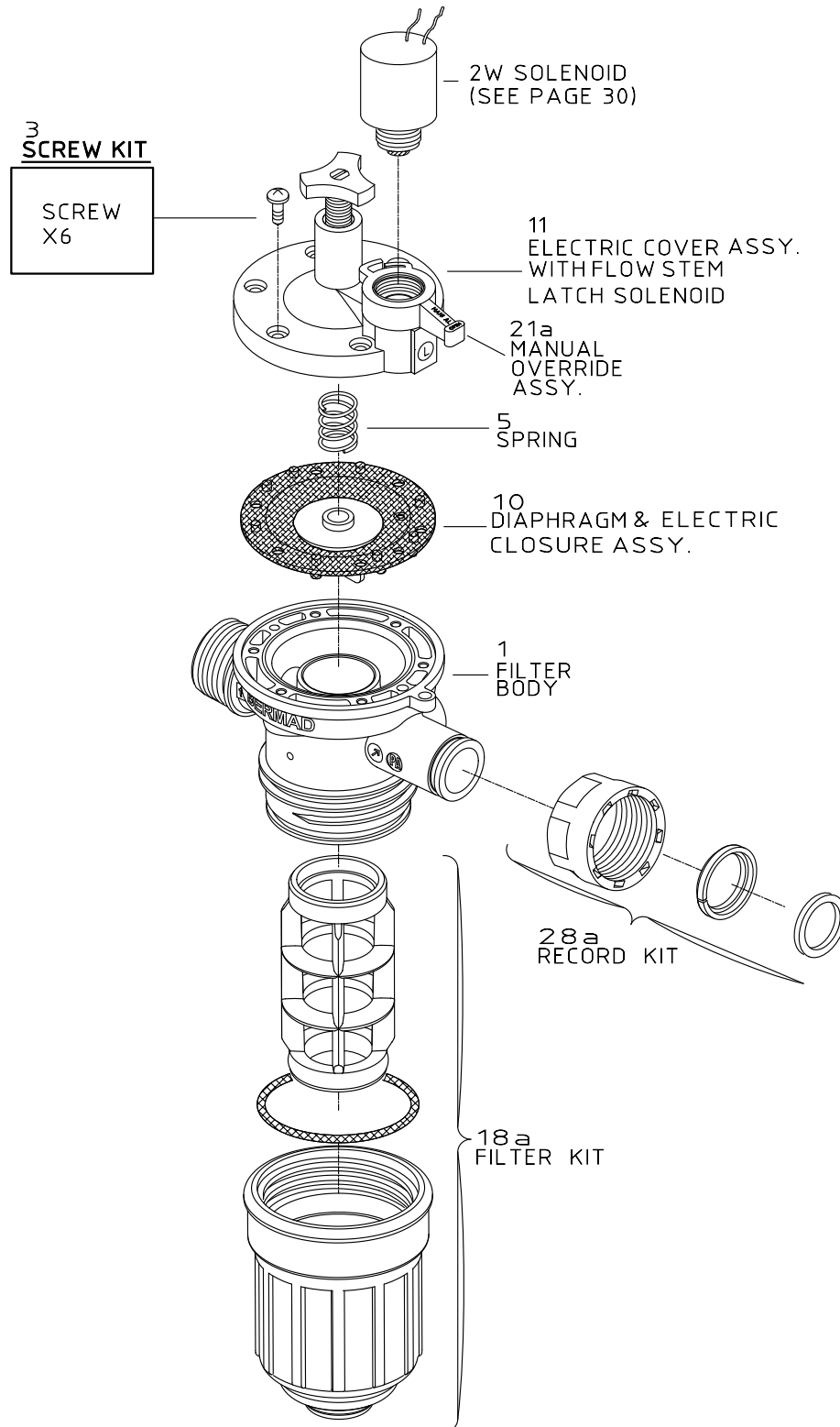
Size: 1"; DN25

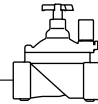




GF1-Electric Filter Valve Latch Solenoid Model

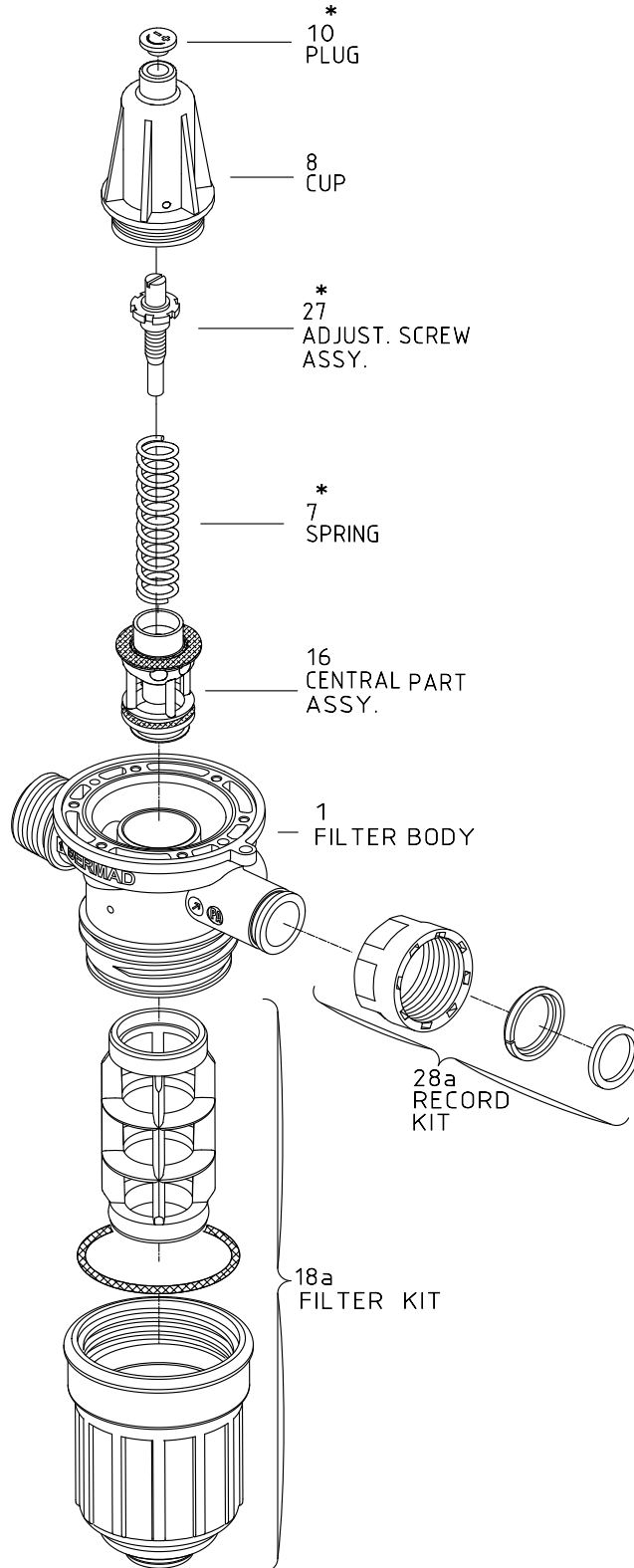
Size: 1"; DN25



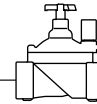


GRV-Filter Regulator Valve

Size: 1"; DN25

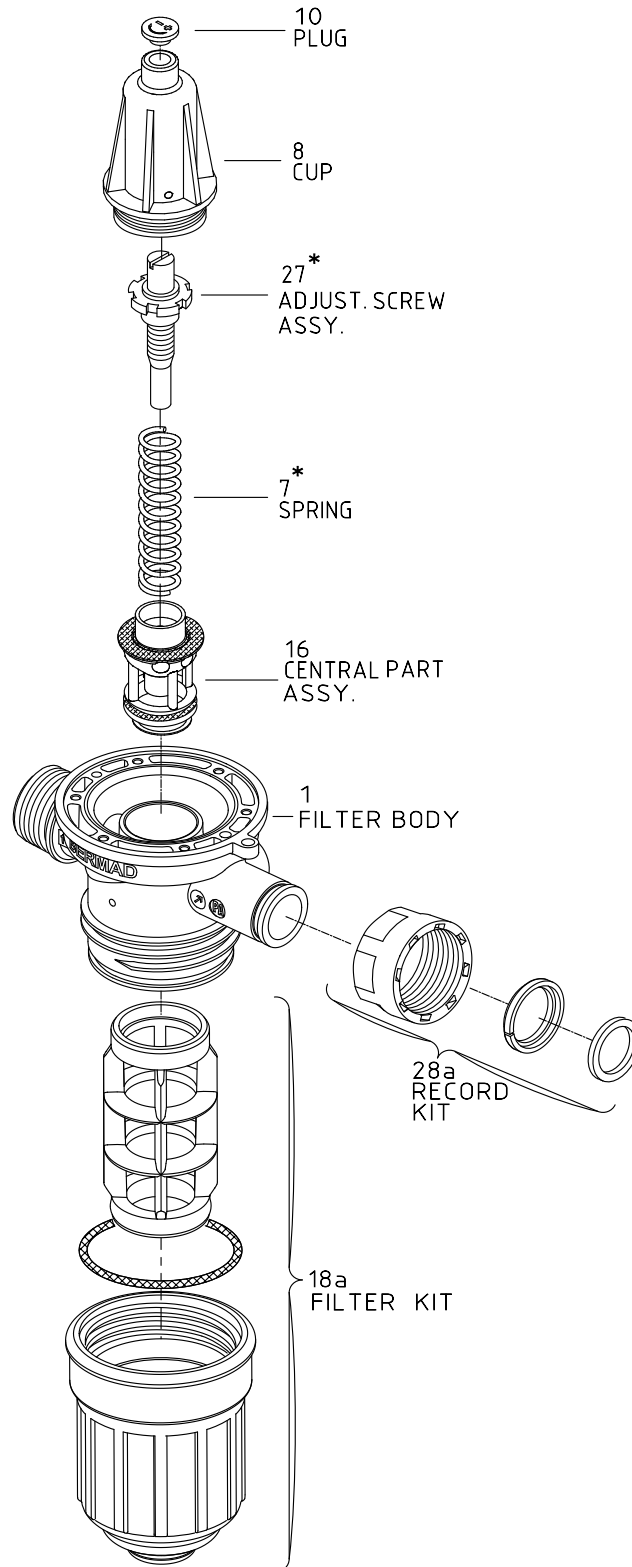


* - DIFFERENT COLORS

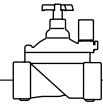


GRV-Filter Regulator Valve Low Flow

Size: 1"; DN25

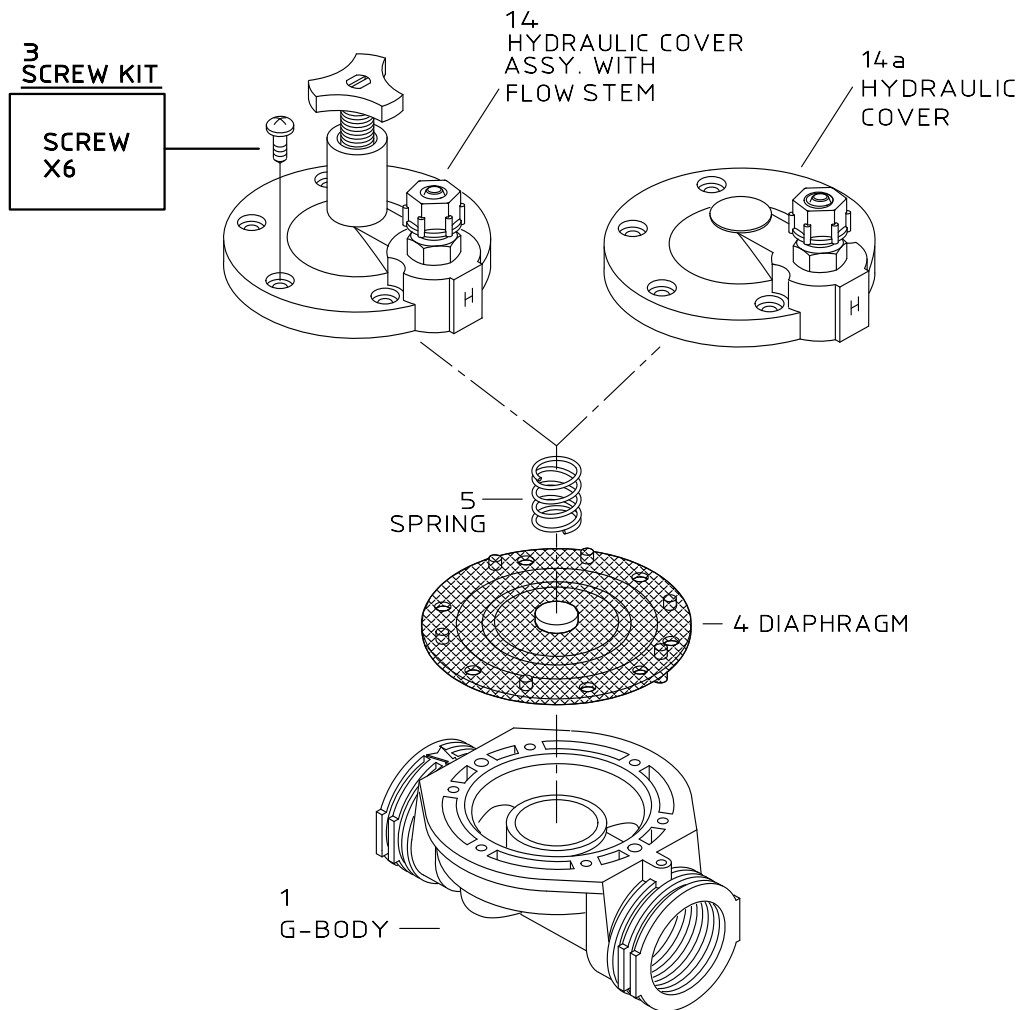


* - DIFFERENT COLORS



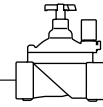
G-Pattern Hydraulic Control Valve

Sizes: 3/4-1"; DN20-25





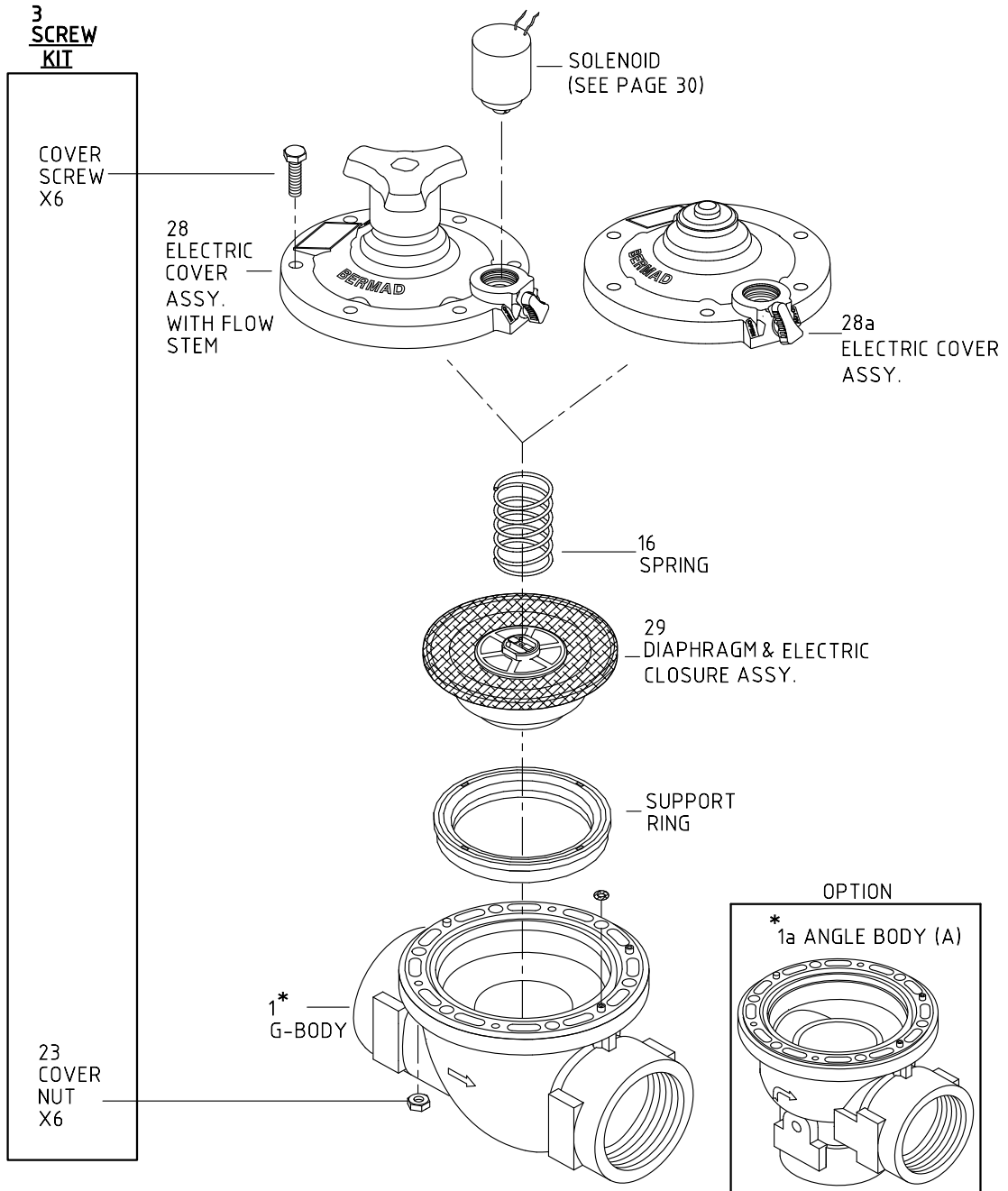
BERMAD IR Spare Parts

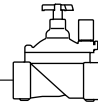


200 Series

G & A Patterns Electric Control Valves

Sizes: 1½-2"; DN40-50

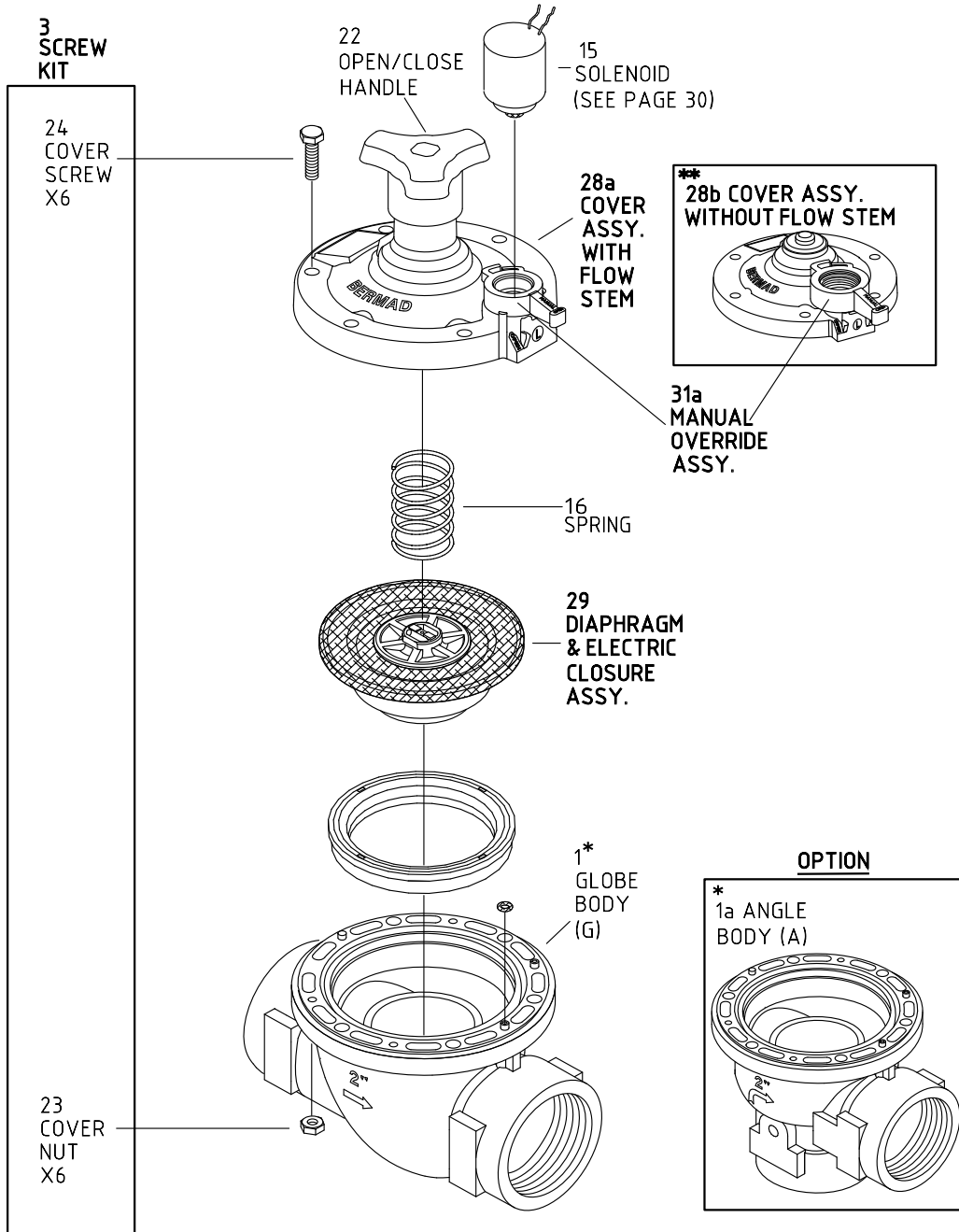


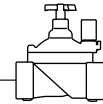


G & A Patterns Electric Control Valves

Latch Solenoid Model

Sizes: 1½-2"; DN40-50





G & A Patterns Hydraulic Control Valves

Sizes: 1½-2"; DN40-50

3 SCREW KIT

COVER
SCREW
X6

12
HYDRAULIC COVER
ASSY. WITH
FLOW STEM

12a
HYDRAULIC COVER ASSY.

16
SPRING

11
DIAPHRAGM & HYDRAULIC
CLOSURE ASSY.

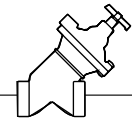
SUPPORT RING

* 1
GLOBE
BODY (G)

OPTION

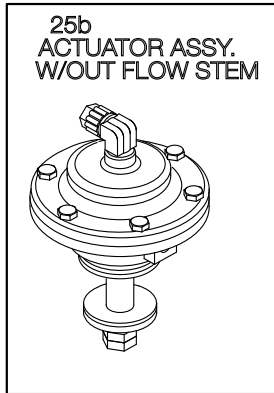
*
1a ANGLE BODY (A)

COVER
NUT
X6

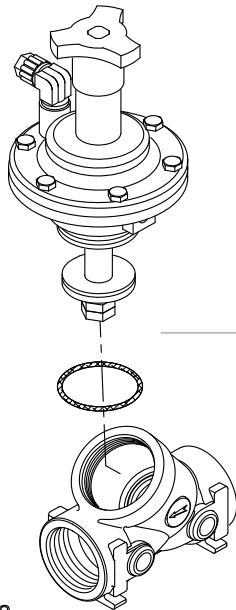


Hydraulic Control Valves Y-Pattern

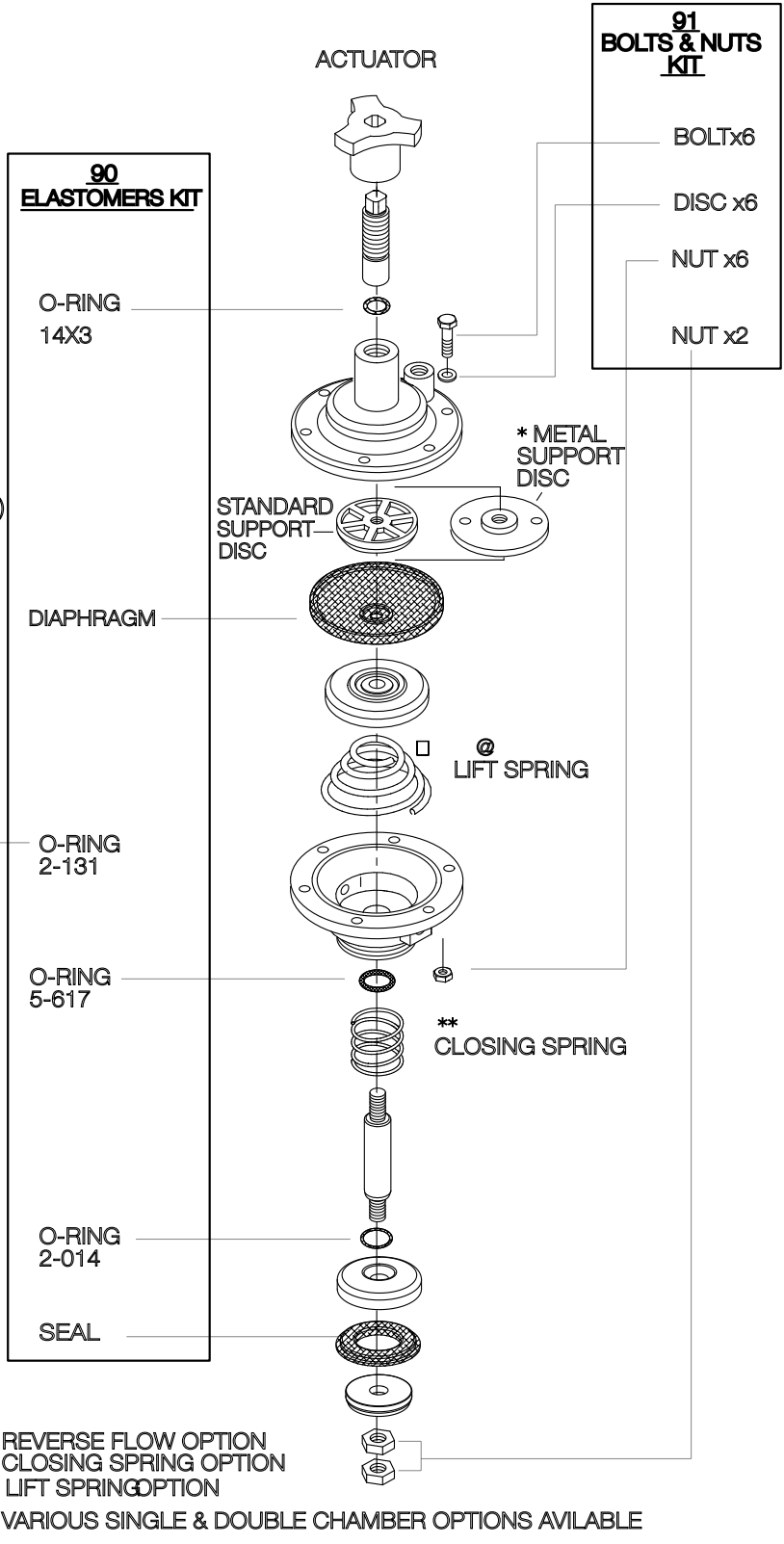
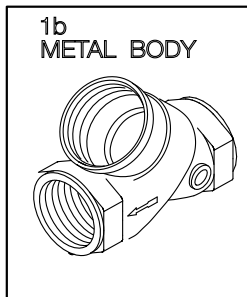
Size: 1½"; DN40

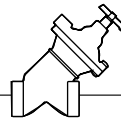


□ 25 ACTUATOR ASSY. FOR METAL BODY (25a FOR PLASTIC BODY)



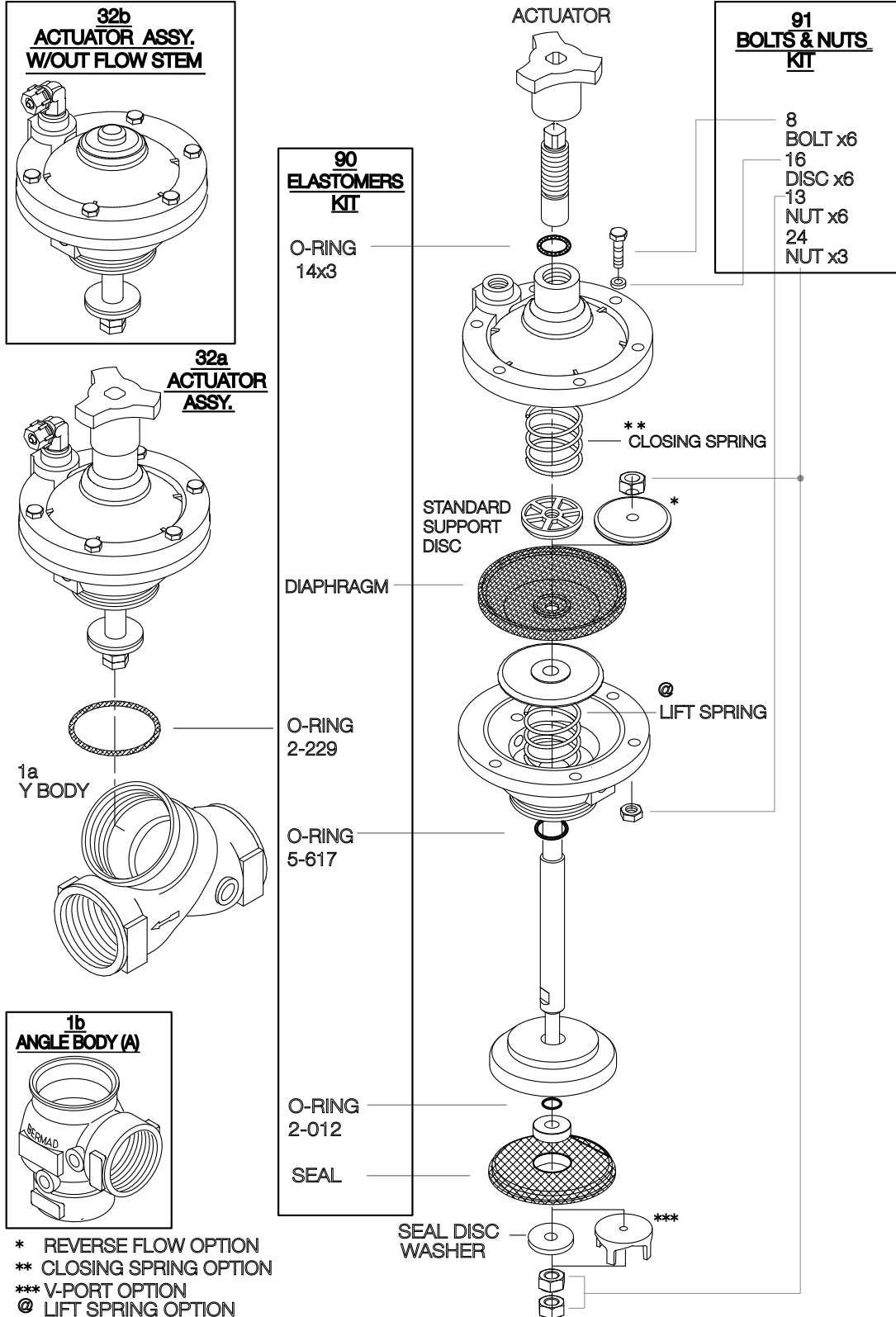
1a PLASTIC BODY



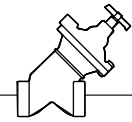


Hydraulic Control Valves Y & A-Pattern

Size: 2"; DN50

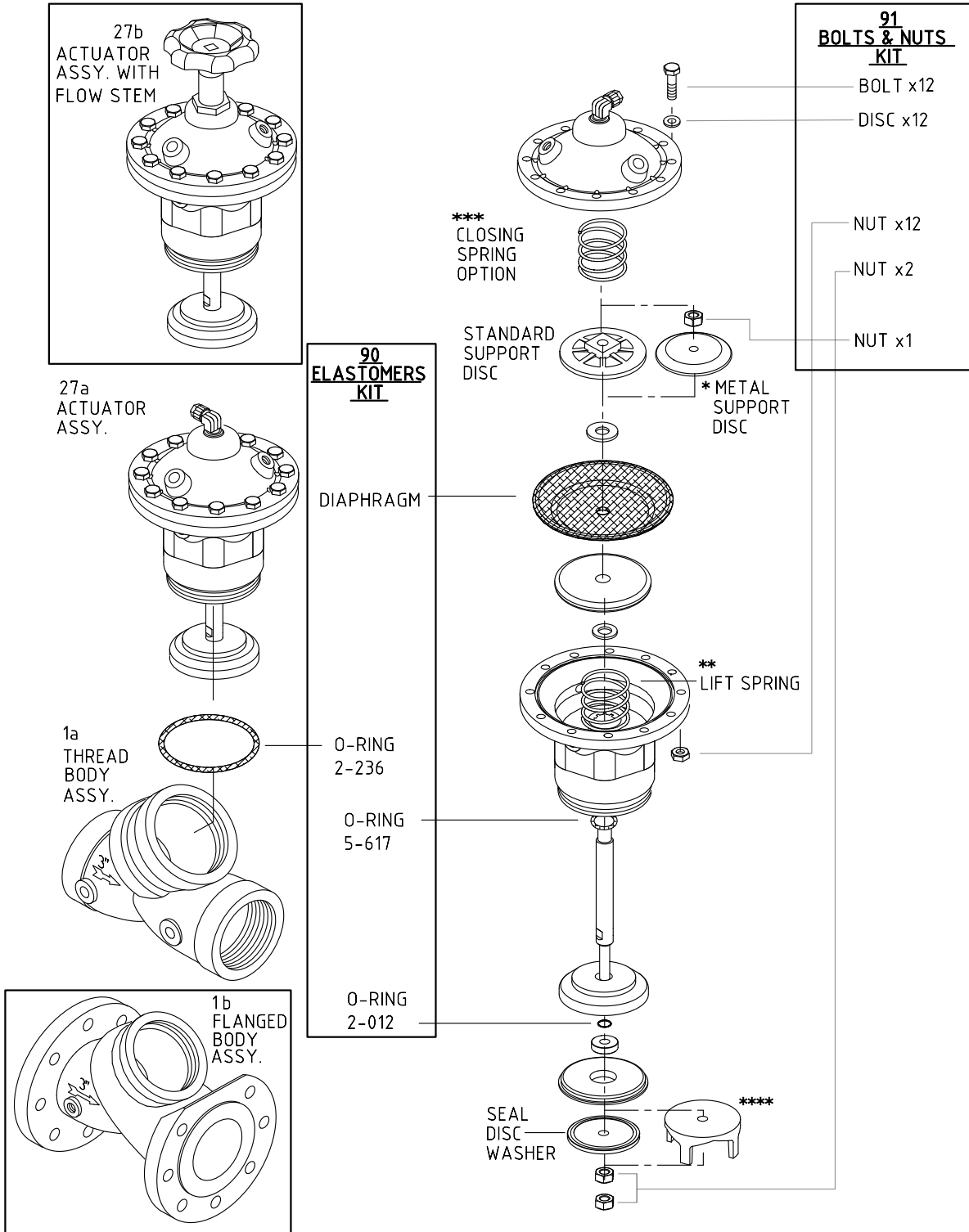


- * REVERSE FLOW OPTION
- ** CLOSING SPRING OPTION
- *** V-PORT OPTION
- @ LIFT SPRING OPTION

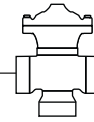


Hydraulic Control Valves Y-Pattern

Size: 3"; DN80



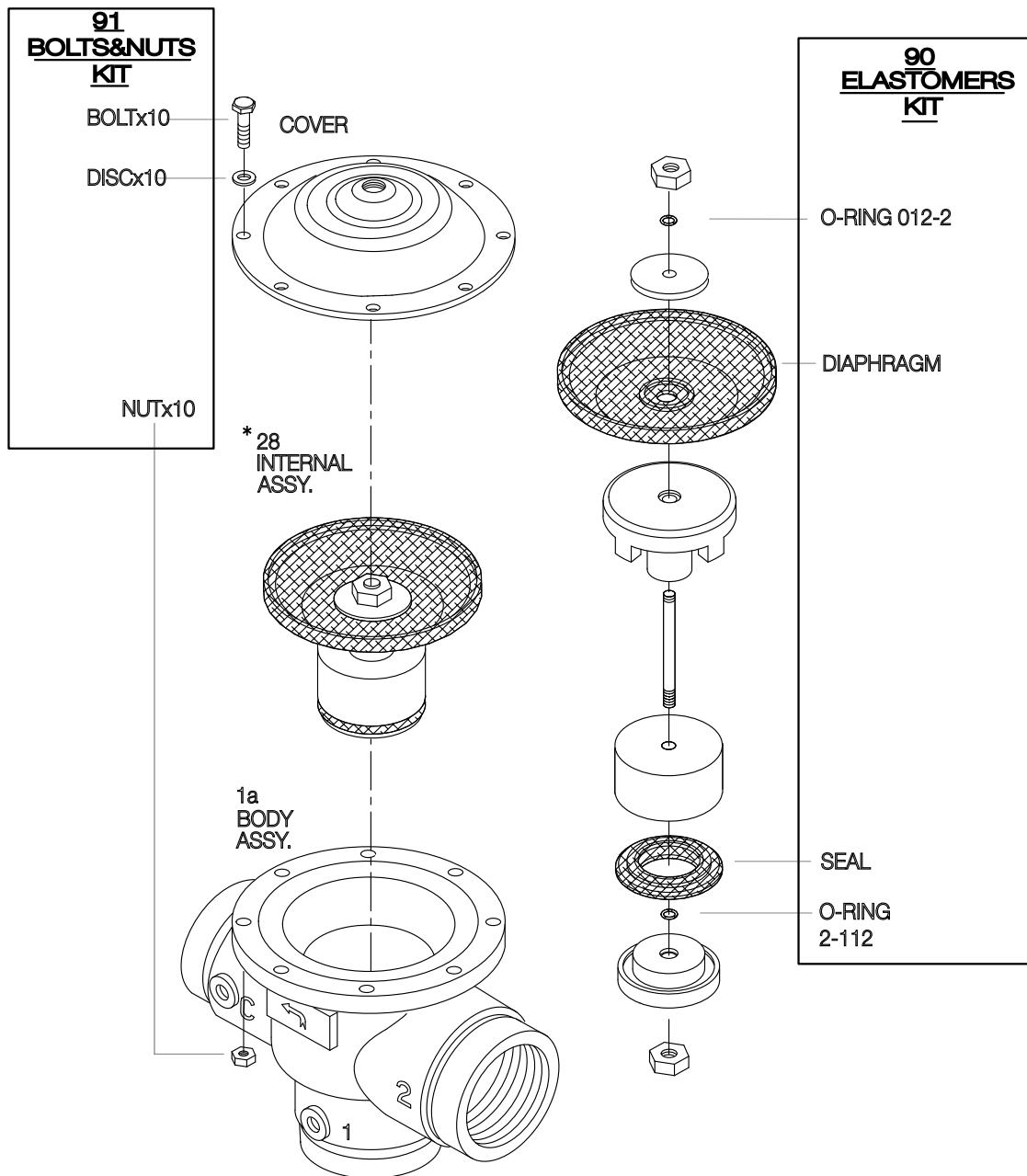
- * REVERSE FLOW OPTION
- ** LIFT SPRING OPTION
- *** CLOSING SPRING OPTION
- **** V-PORT OPTION



Backwash Filter Valve-Single Chamber

Angle / Reverse Angle Flow

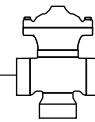
Size: 4"x4"/3". Grooved/Threaded



* Size 3"x2", 4"x3", 4"x4" GROOVE & FLANGE SINGLE CHAMBER - INTERNAL ASSY. (PART 28) FOR FIELD SERVICE ONLY



BERMAD IR Spare Parts



350 Series

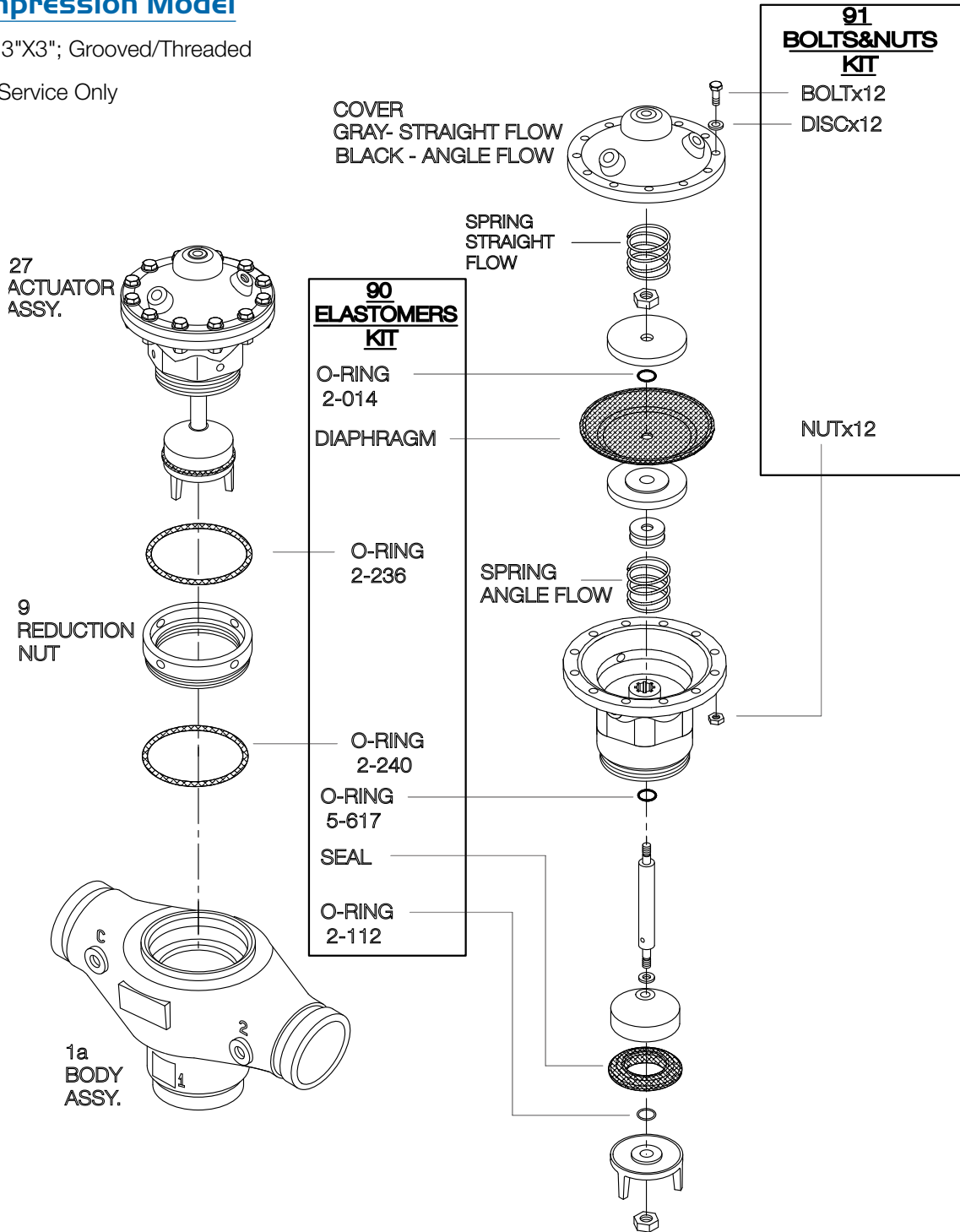
Backwash Filter Valve-Double Chamber.

Straight / Angle & Reverse Flow

Compression Model

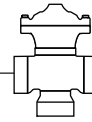
Size: 3"X3"; Grooved/Threaded

Field Service Only





BERMAD IR Spare Parts

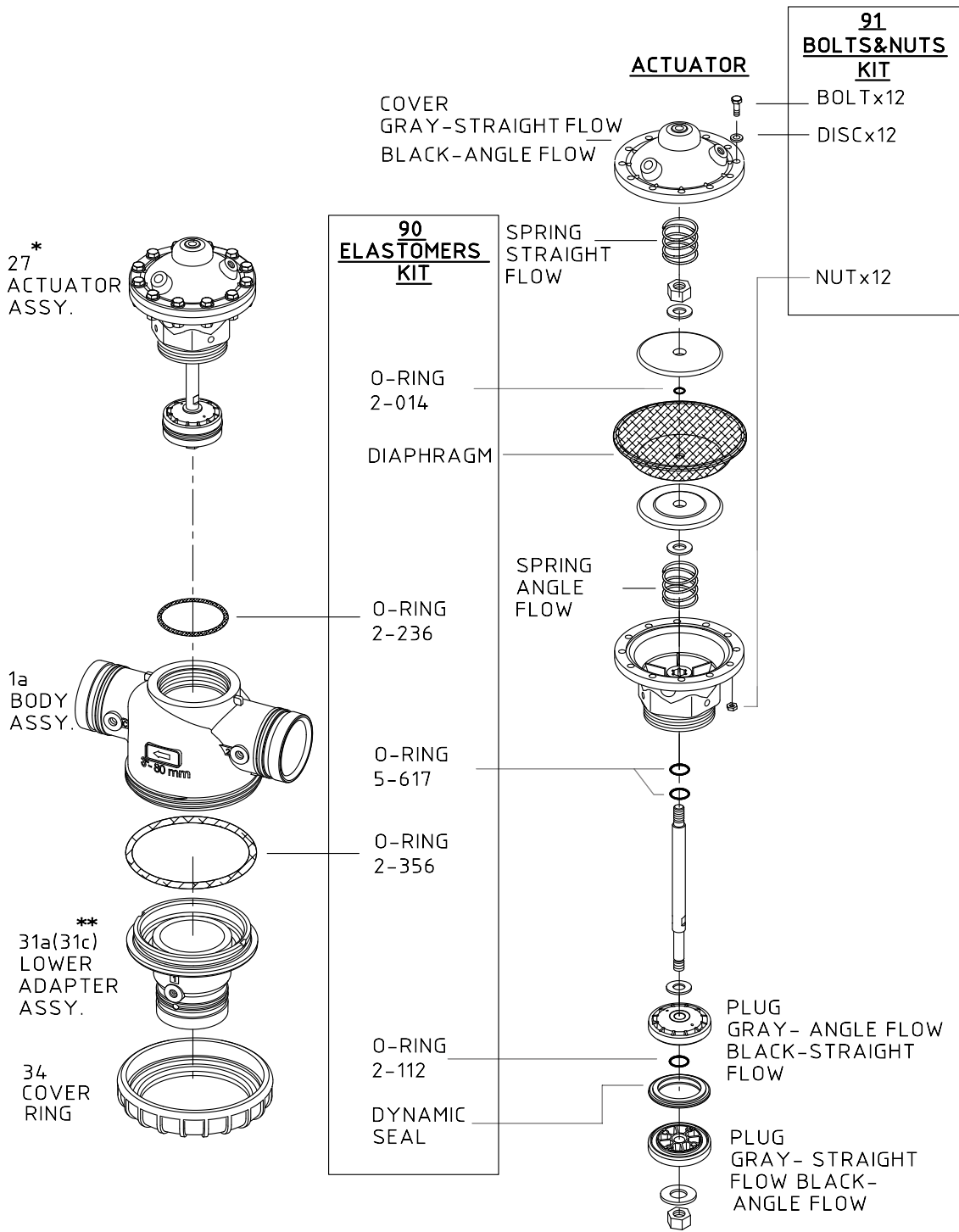


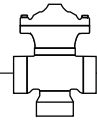
350 Series

Backwash Filter Plastic Valve-Double Chamber

Straight / Angle & Reverse Flow

Size: 3"X3"X3"; Grooved/Threaded





Backwash Filter- Metal Valve-Double Chamber

Straight / Angle & Reverse Flow

Size: 3"X3"X3" & 3"X2"DC ;
Grooved/Threaded. Field Service Only

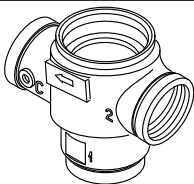
27 *
ACTUATOR
ASSY.

9
REDUCTION
NUT

1a**
BODY
ASSY.

** OPTION:1a

3X2 DC BODY ASSY.



* ACCORDING TO VALVE TYPE

90 ELASTOMERS KIT

O-RING
2-014

DIAPHRAGM

O-RING
2-236

O-RING
5-617

O-RING
2-240

O-RING
2-112

DYNAMIC
SEAL

COVER
GRAY-STRAIGHT FLOW
BLACK-ANGLE FLOW

SPRING
STRAIGHT
FLOW

SPRING
ANGLE
FLOW

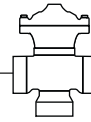
ACTUATOR

91 BOLTS&NUTS KIT

BOLTx12
DISC x12

NUTx12

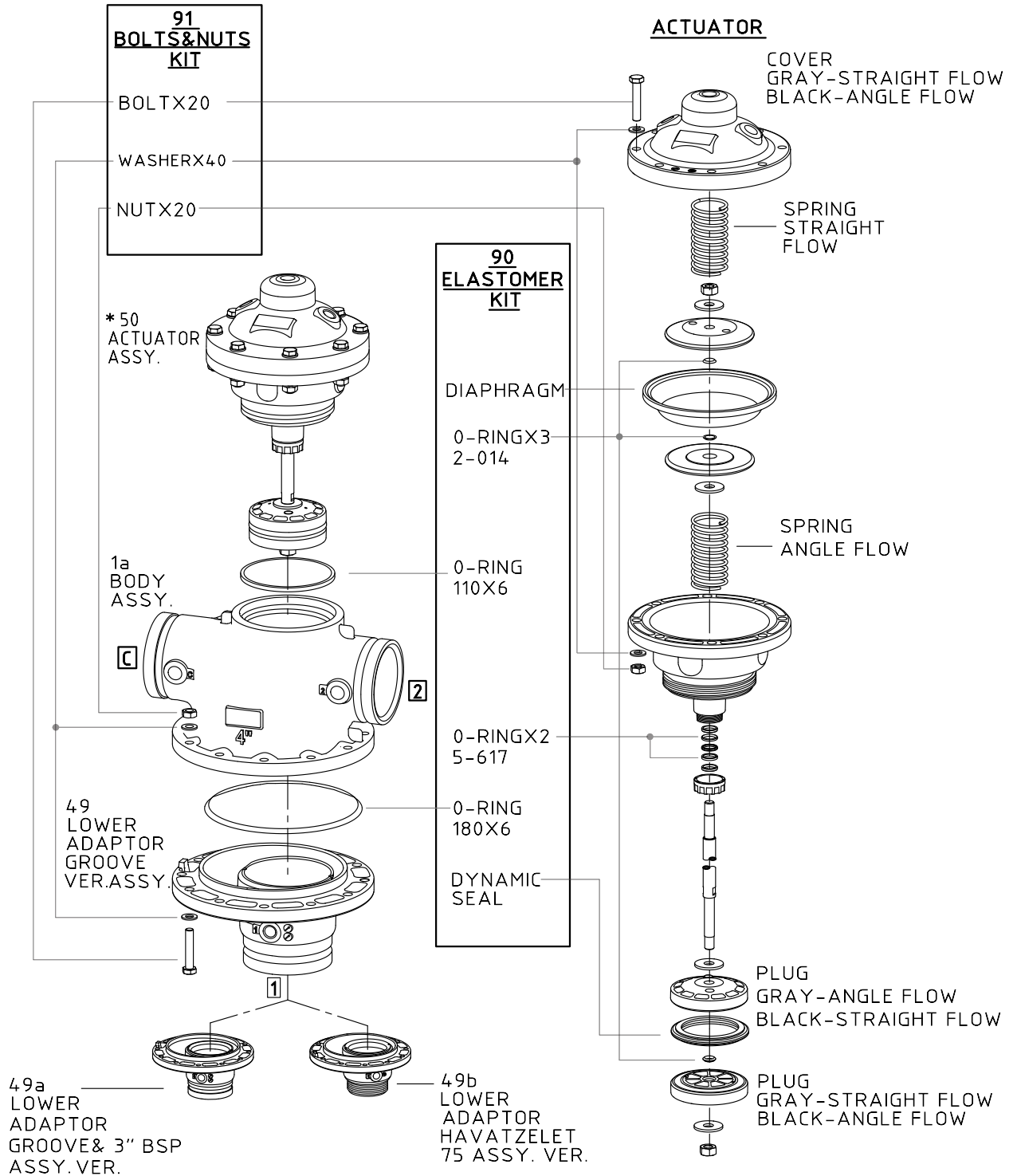
PLUG
GRAY- ANGLE
FLOW
BLACK-STRAIGHT
FLOW
PLUG
GRAY- STRAIGHT
FLOW BLACK-
ANGLE FLOW



Backwash Filter- Plastic Valve-Double Chamber

Straight/ Angle & Reverse Flow

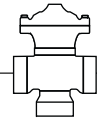
Size: 4"X4"X4"; Grooved/Threaded



* ACCORDING TO VALVE TYPE
Effective 10/2014



BERMAD IR Spare Parts

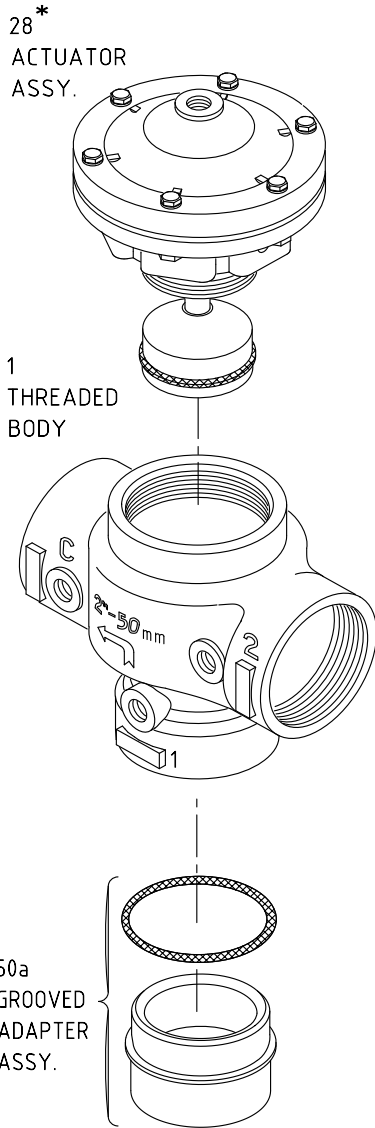


350 Series

Backwash Filter- Metal Valve-Double Chamber

Straight/ Angle & Reverse Flow

Size: 2"X2"X2"; Grooved/Threaded
Compression Model-Type-A



COVER
GRAY-STRAIGHT
FLOW
BLACK-ANGLE
FLOW

**90
ELASTOMERS
KIT**

O-RING
2-011

DIAPHRAGM

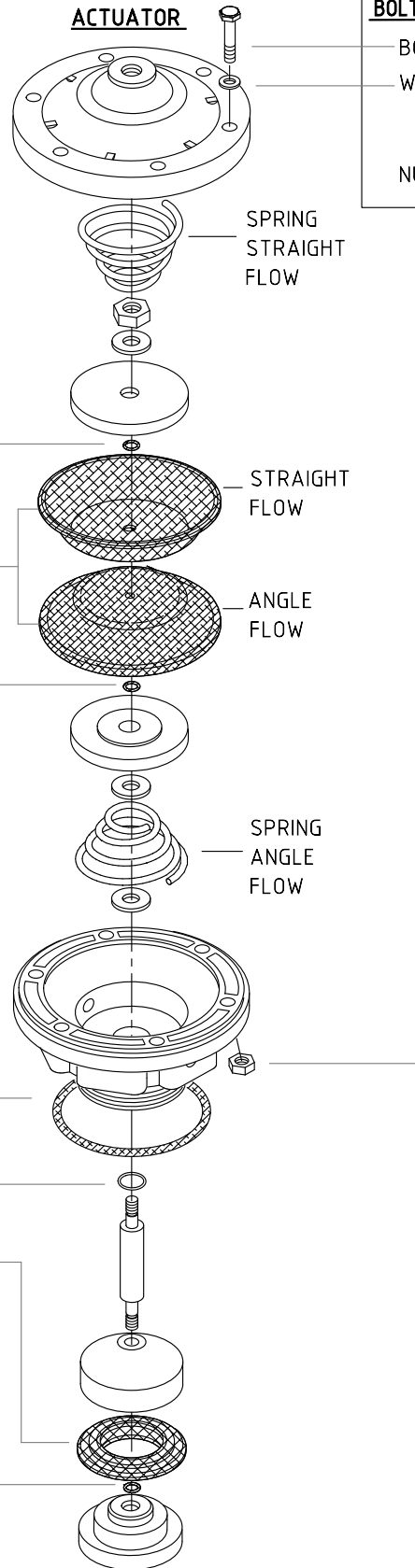
O-RING
2-011

O-RING
2-229

O-RING
5-617

SEAL

O-RING
2-011



**91
BOLTS & NUTS KIT**

BOLT x6

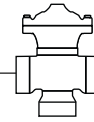
WASHER x6

NUT x6

* ACCORDING TO VALVE TYPE



BERMAD IR Spare Parts



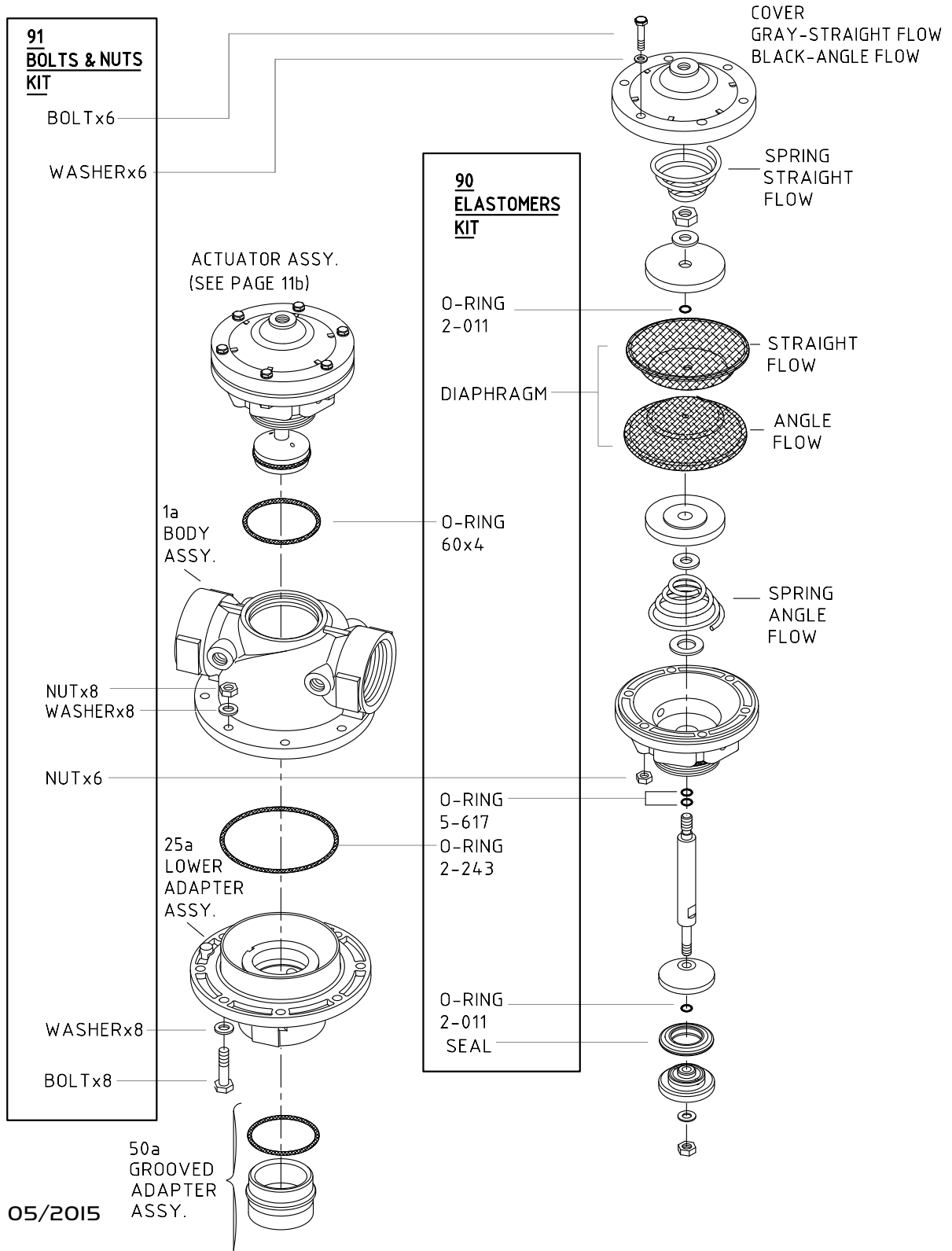
350 Series

Backwash Filter- Plastic Valve-Double Chamber

Straight/Angle & Reverse Flow

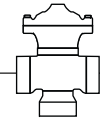
Size: 2"X2"X2"; Grooved/Threaded

Version 2004-Type-A



IIa

Effective 05/2015

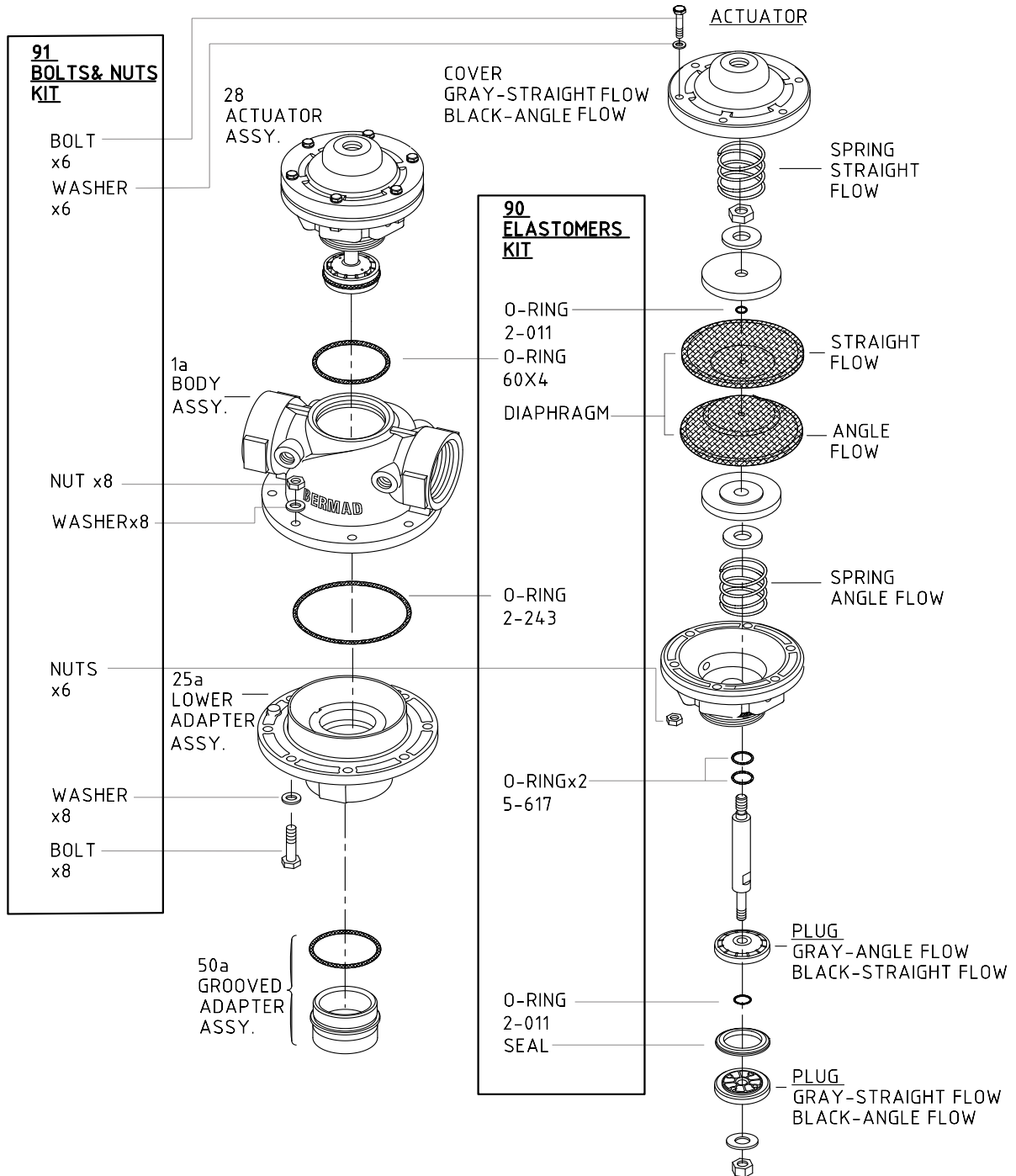


Backwash Filter- Plastic Valve-Double Chamber

Straight/Angle & Reverse Flow

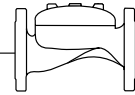
Size: 2"X2"X2"; Grooved/Threaded

Version 2010-Type-B





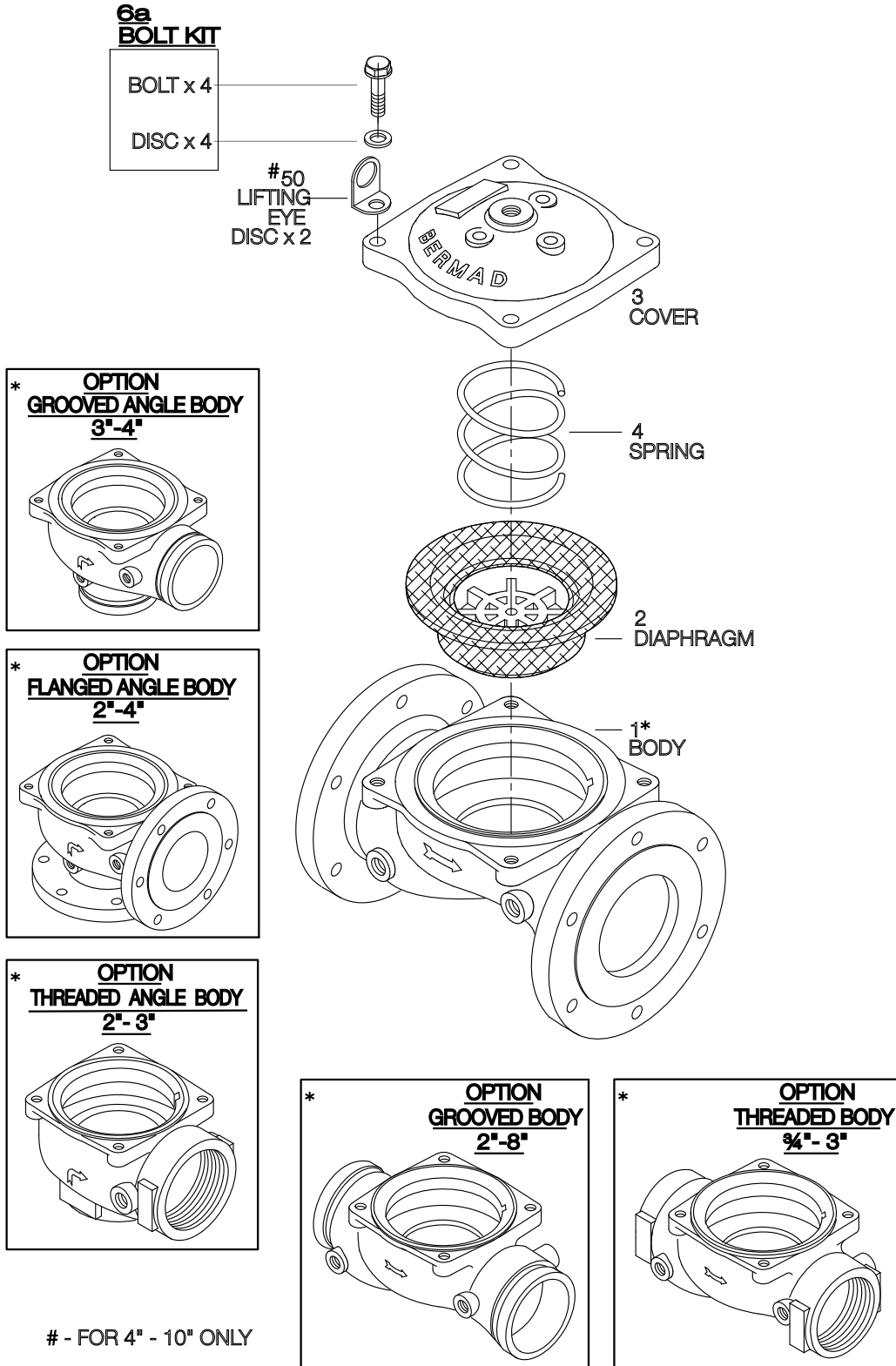
BERMAD IR Spare Parts



400 Series

Basic Control Valves For Irrigation (IR)

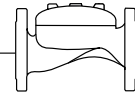
Sizes: 3/4"-10"; DN20-250



- FOR 4" - 10" ONLY



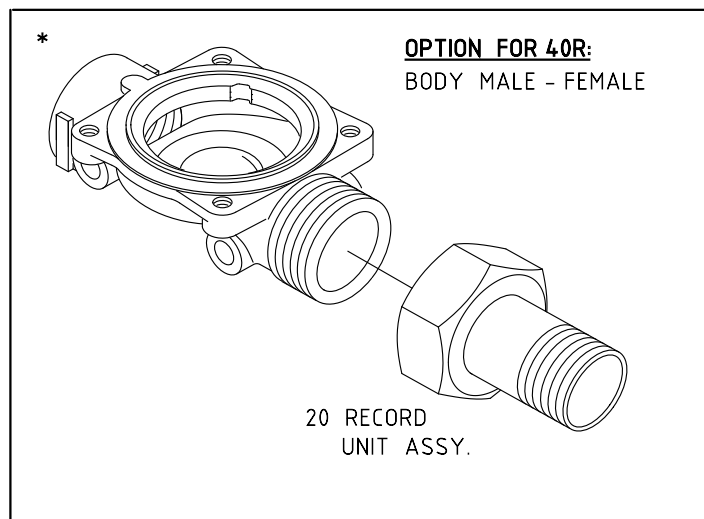
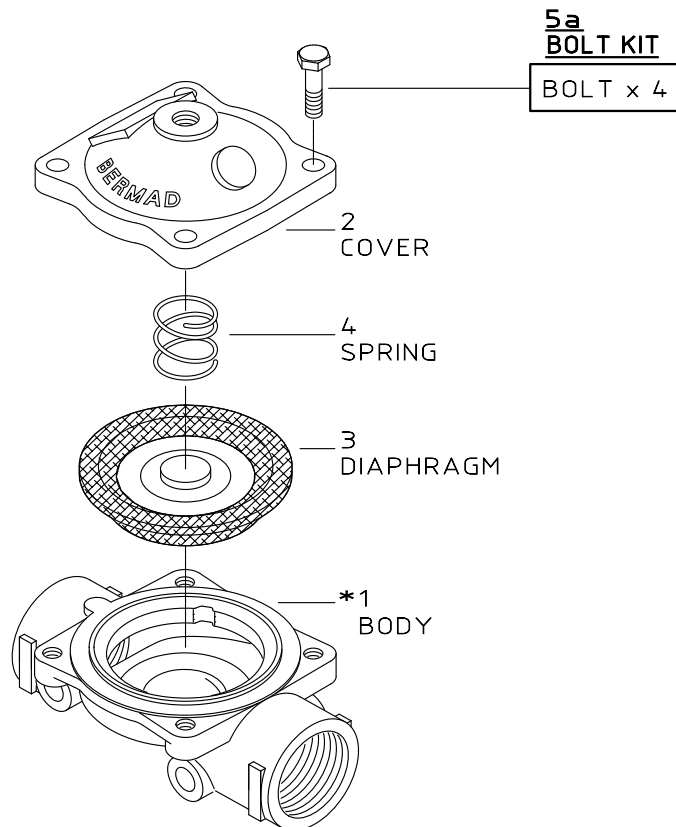
BERMAD IR Spare Parts

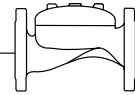


400 Series

Basic Control Valves For Gardening (LS)

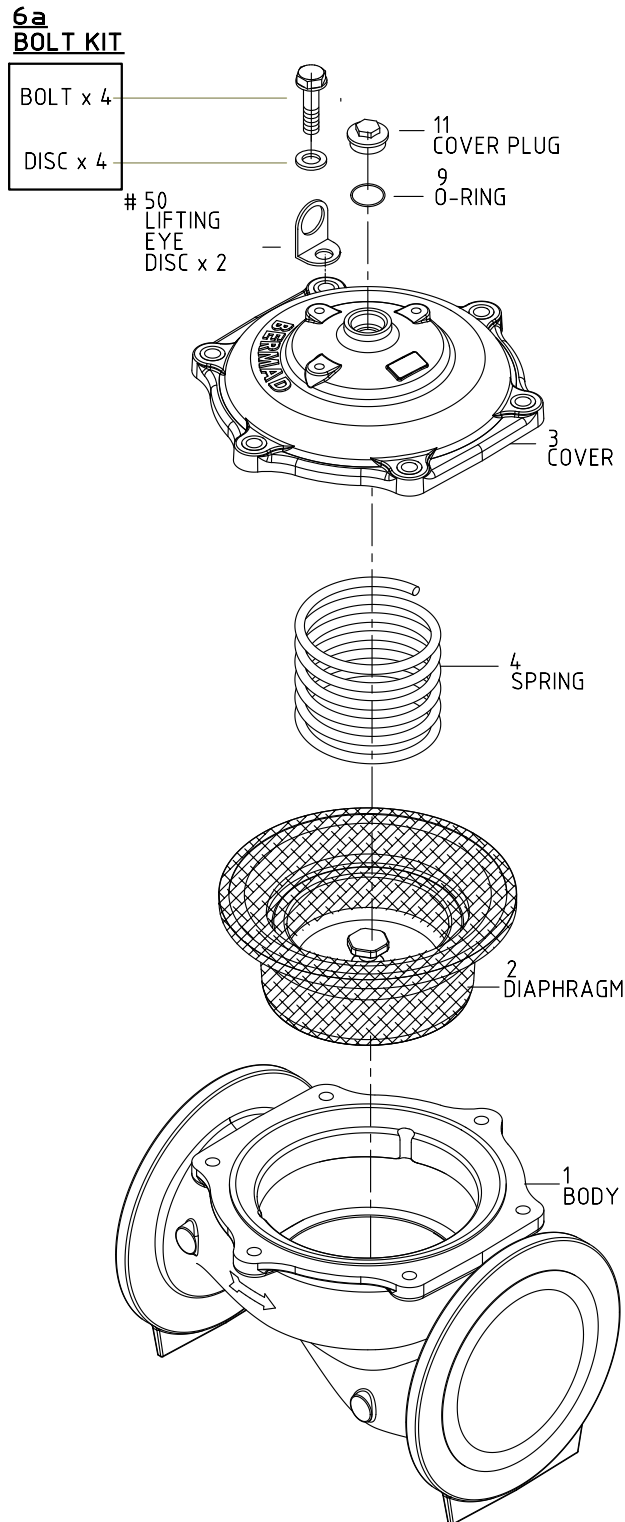
Sizes: 3/4-2"; DN20-50





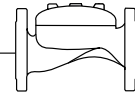
Basic Control Valves (IR & WW)

Sizes: 12-14"; DN300-350





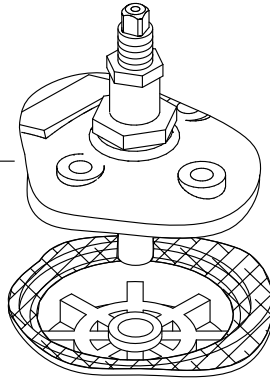
BERMAD IR Spare Parts



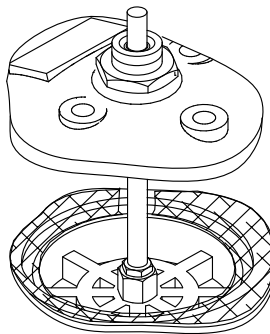
400 Series

Accessories

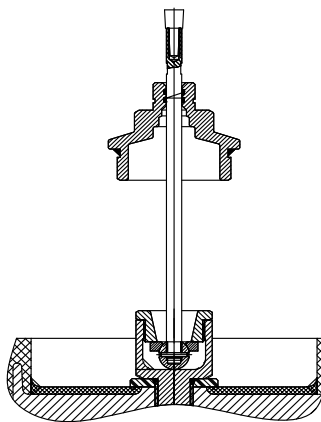
51
FLOW
STEM
ASSY.
2" - 10"



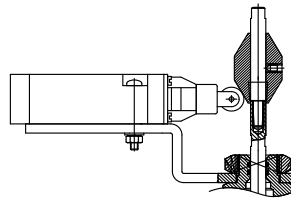
52
INDICATOR
ASSY.
2" - 3"



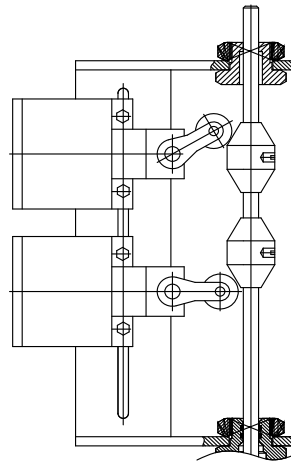
52
INDICATOR
ASSY.
4" - 14"

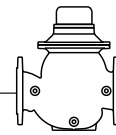


94
LIMIT
SWITCH
ASSY. 2" - 14" (SINGLE)



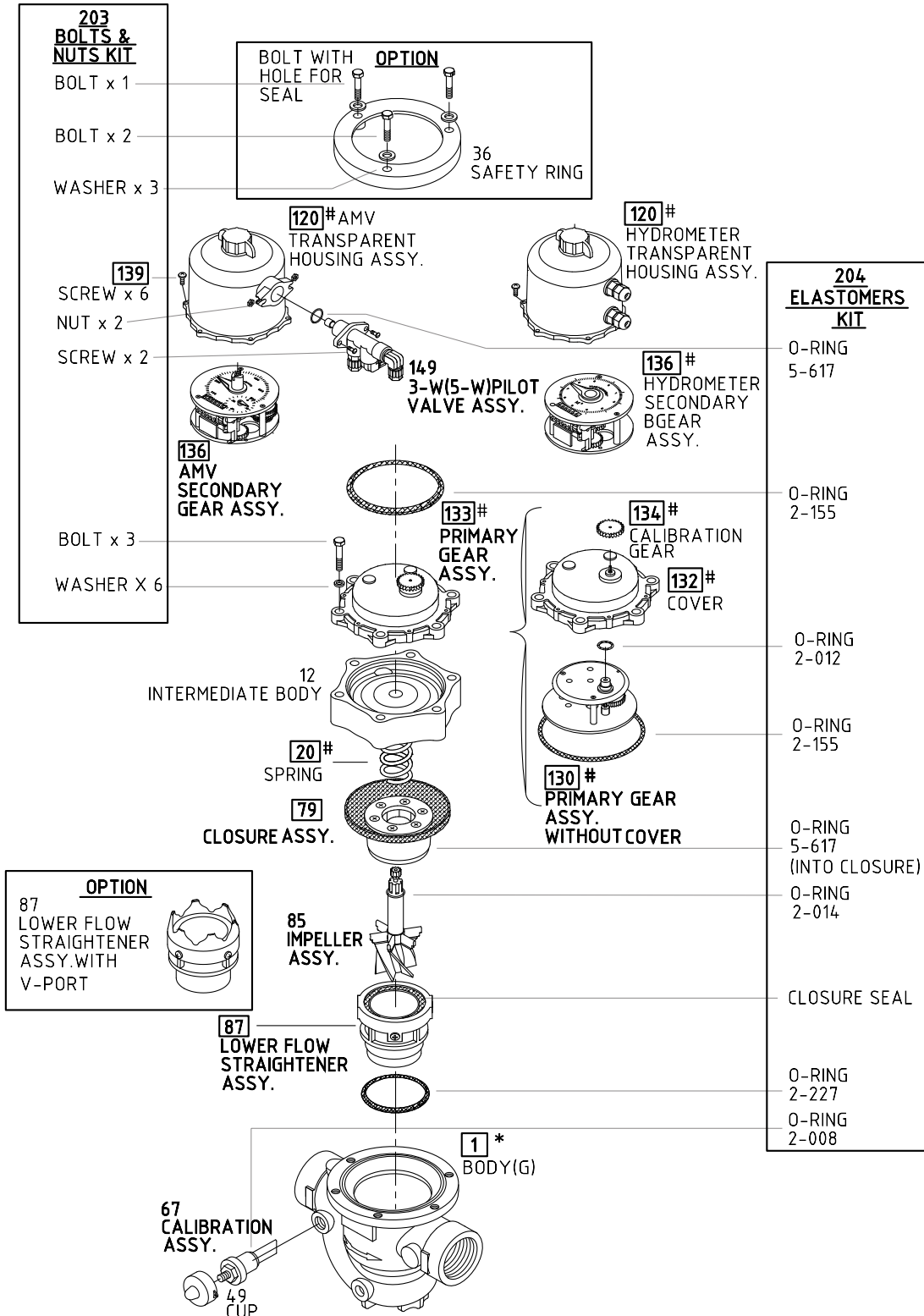
94
LIMIT
SWITCH
ASSY. 2" - 14" (DOUBLE)





CBM - Mechanical Drive Hydrometers & AMV

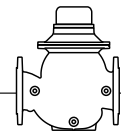
Sizes: 1½-3"R; DN40-80R



- - RANGE OF DIFERENT CONFIGURATIONS ACORDING SPECIFIC REQUIEREMENTS
- # - SPECIFY EXISTING DIAL CAPACITY
- * - OTHER VALVE BODIES OPTIONS SEE PAGE 17g.



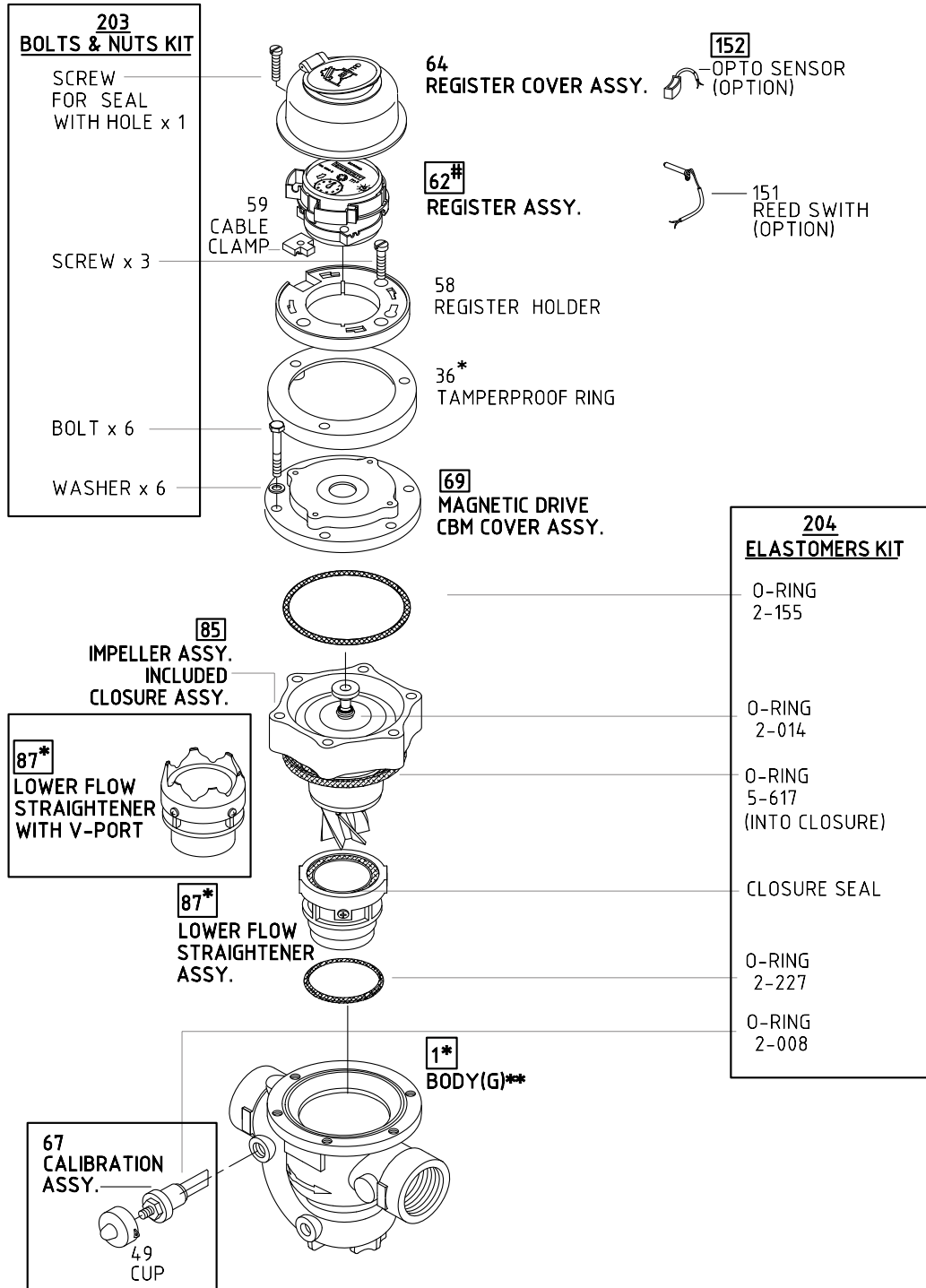
BERMAD IR Spare Parts



900 Series

CBM - Magnetic Drive Hydrometers

Sizes: 1½-3"R; DN40-80R

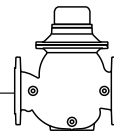


□ - RANGE OF DIFFERENT CONFIGURATIONS ACCORDING SPECIFIC REQUIEREMENTS

- SPECIFY REGISTER ACCORDING TO INSTRUCTION.

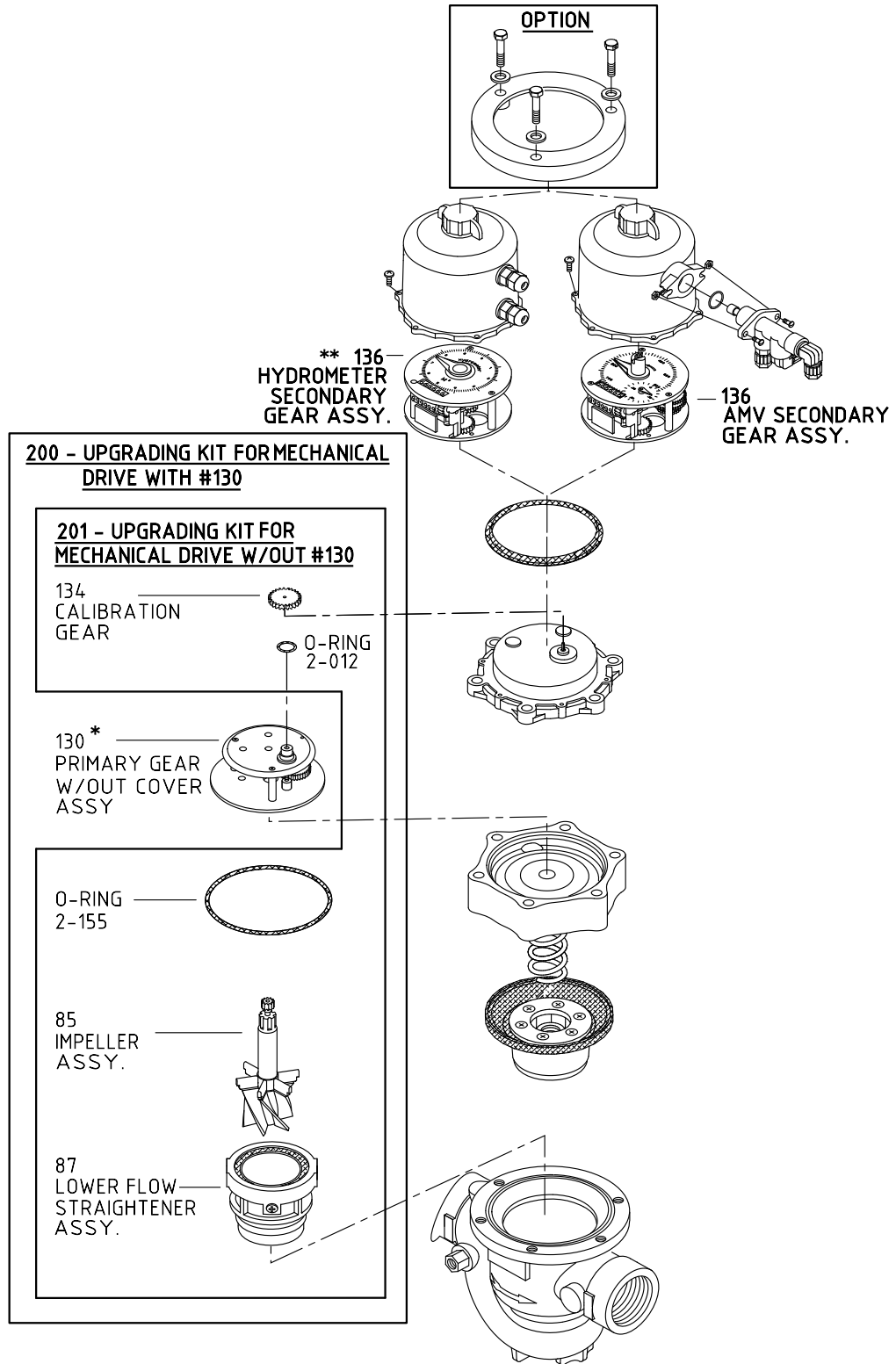
* - USE SAME PART PAGE 15

** - OTHER VALVE BODIES OPTIONS SEE PAGE 17g.



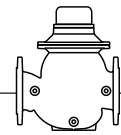
CBM - Upgrading-Kit For Mechanical Drive Hydrometers & AMV

Sizes: 1½-3"R; DN40-80R



*#130 MUST BE COMPLY TO #136. SPECIFY EXISTING DIAL CAPACITY

** ACCORDING TO CUSTOMER DEMAND



CBM - Upgrading-Kit For Magnetic Drive Hydrometer

Sizes: 1½-3"R; DN40-80R

200 - UPGRADING KIT FOR MAGNETIC DRIVE WITH #62

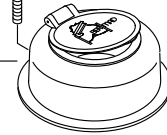


62* REGISTER ASSY.**

202 - KIT OF REGISTER HOUSING FOR UPGRADING FROM MECHANICAL DRIVE

SCREW FOR SEAL (WITH HOLE)

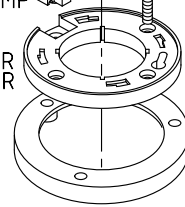
REGISTER COVER ASSY.



CABLE CLAMP

SCREW X3

REGISTER HOLDER



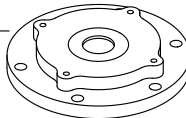
BOLT X6

TAMPER PROOF RING

WASHER X6

201 - UPGRADING KIT FOR MAGNETIC DRIVE W/OUT #62

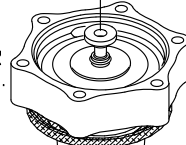
69 COVER CB HMD ASSY.



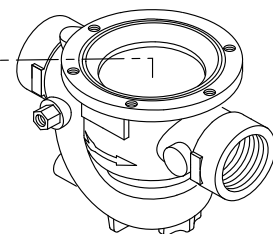
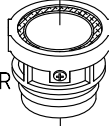
O-RING 2-155



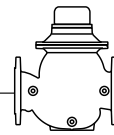
85 IMPELLER ASSY.



87 LOWER FLOW STRAIGHTENER ASSY.

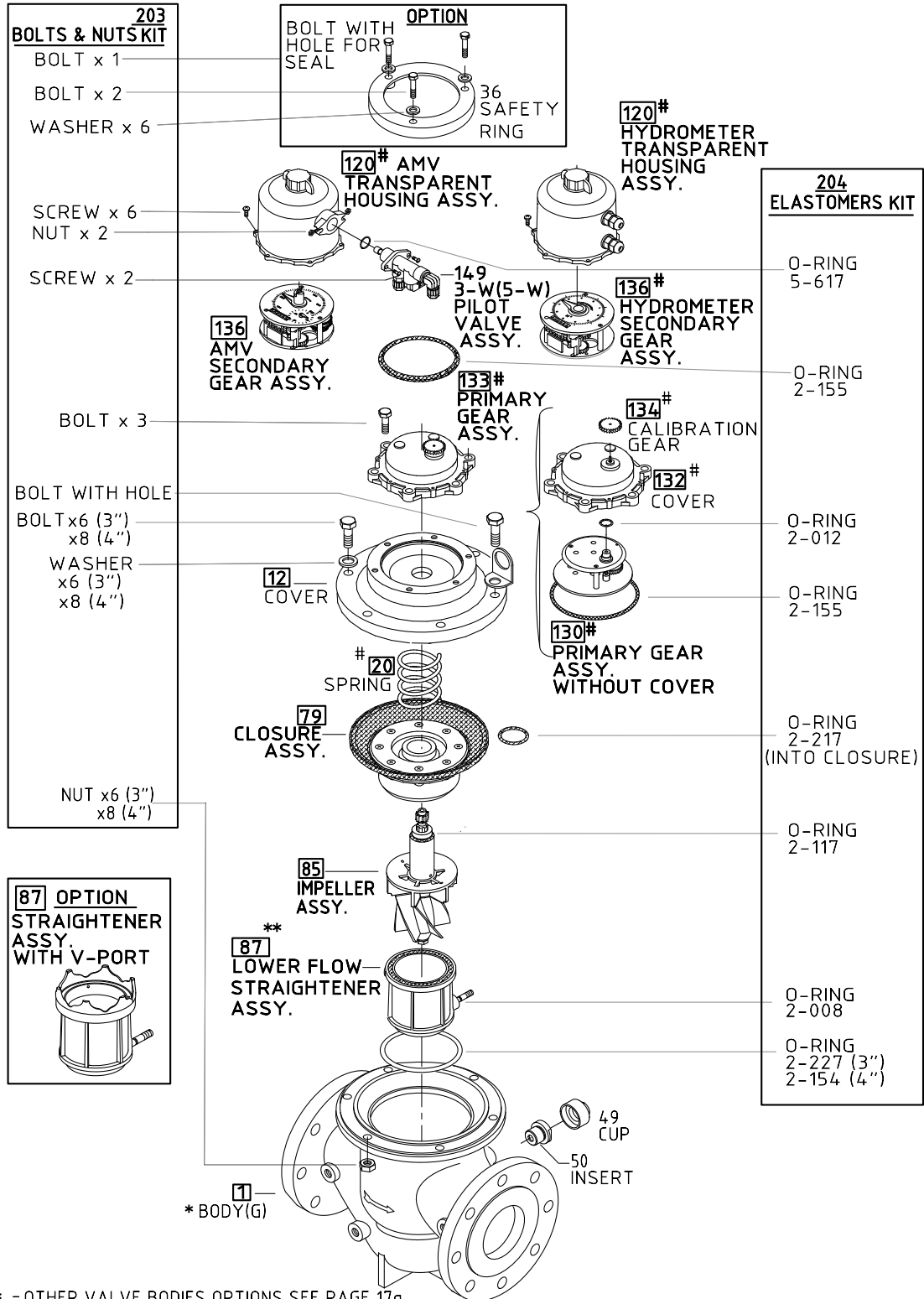


*SPECIFY REGISTER #62
** ACCORDING TO CUSTOMER DEMAND



CBM - Mechanical Drive Hydrometer & AMV

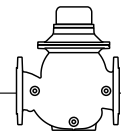
Sizes: 3-4"; DN80-100



- * - OTHER VALVE BODIES OPTIONS SEE PAGE 17g.
- ** - STRAIGHTENER ASSY, W/OUT CALIBRATION
- - RANGE OF ALTERNATE CONFIGURATIONS FOR SPECIAL CONDITIONS
- # - SPECIFY EXISTING DIAL CAPACITY & COVER # 132 TYPE (PLASTIC OR SS)



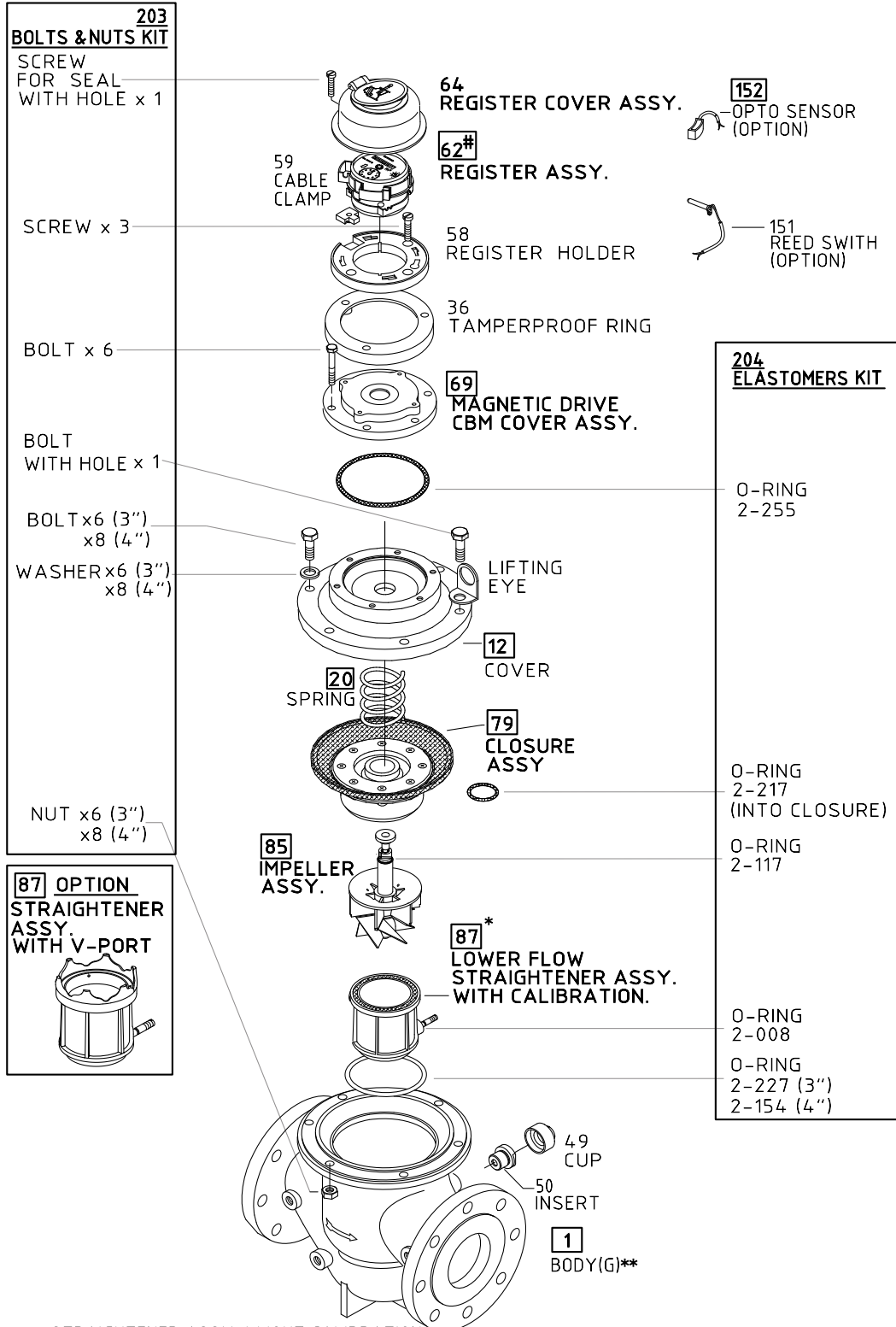
BERMAD IR Spare Parts



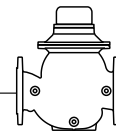
900 Series

CBM - Magnetic Drive Hydrometer

Sizes: 3-4"; DN80-100

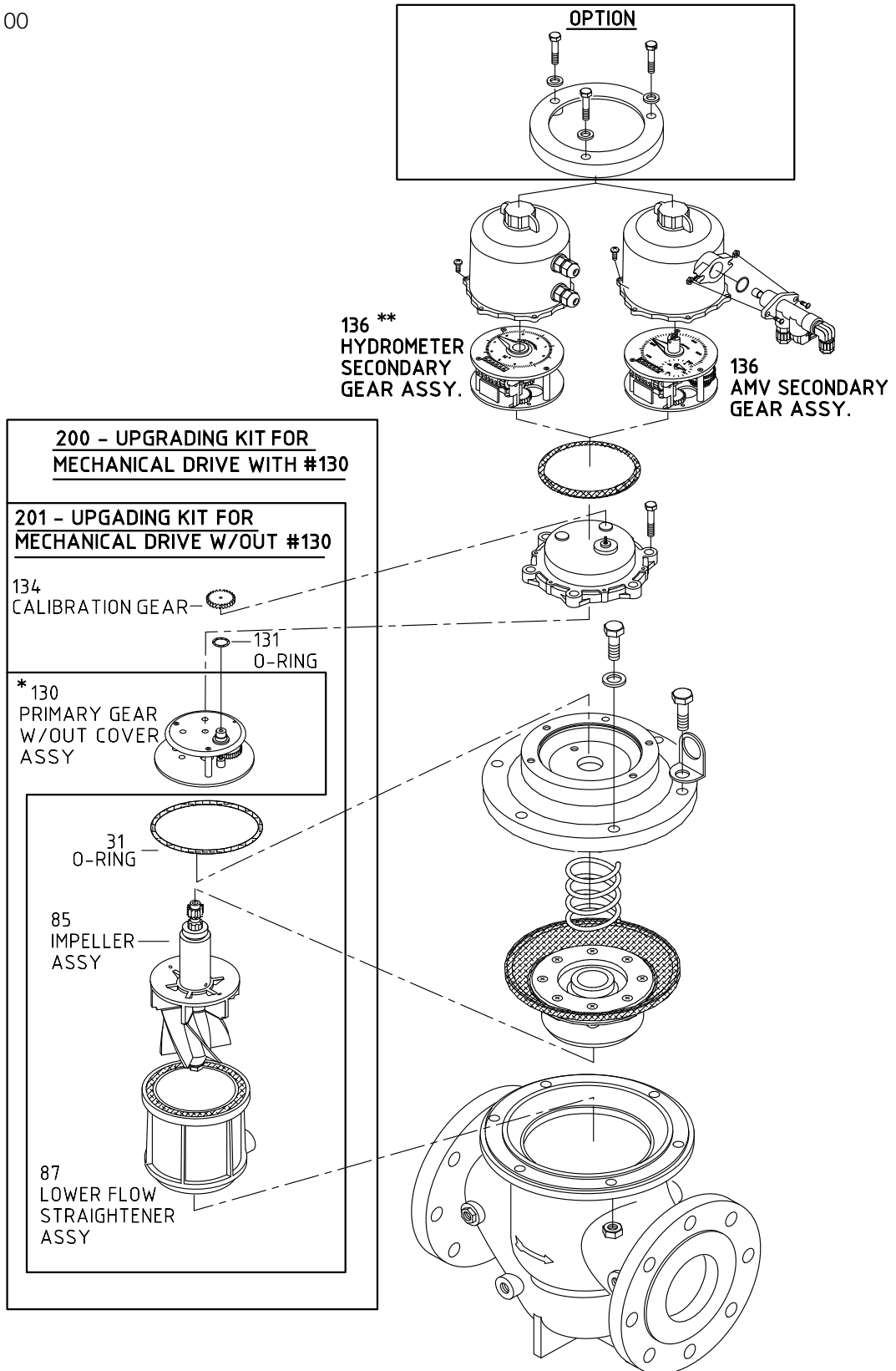


* - STRAIGHTENER ASSY, W/OUT CALIBRATION
 □ - RANGE OF DIFERENT CONFIGURATIONS ACORDING SPECIFIC REQUIEREMENTS
 # - SPECIFY REGISTER ACCORDING TO INSTRUCTIONS
 ** - OTHER VALVE BODIES OPTIONS SEE PAGE 17g.

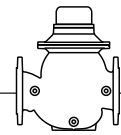


Upgrading Kit Mechanical Drive Hydrometer & AMV

Sizes: 3-4"; DN80-100

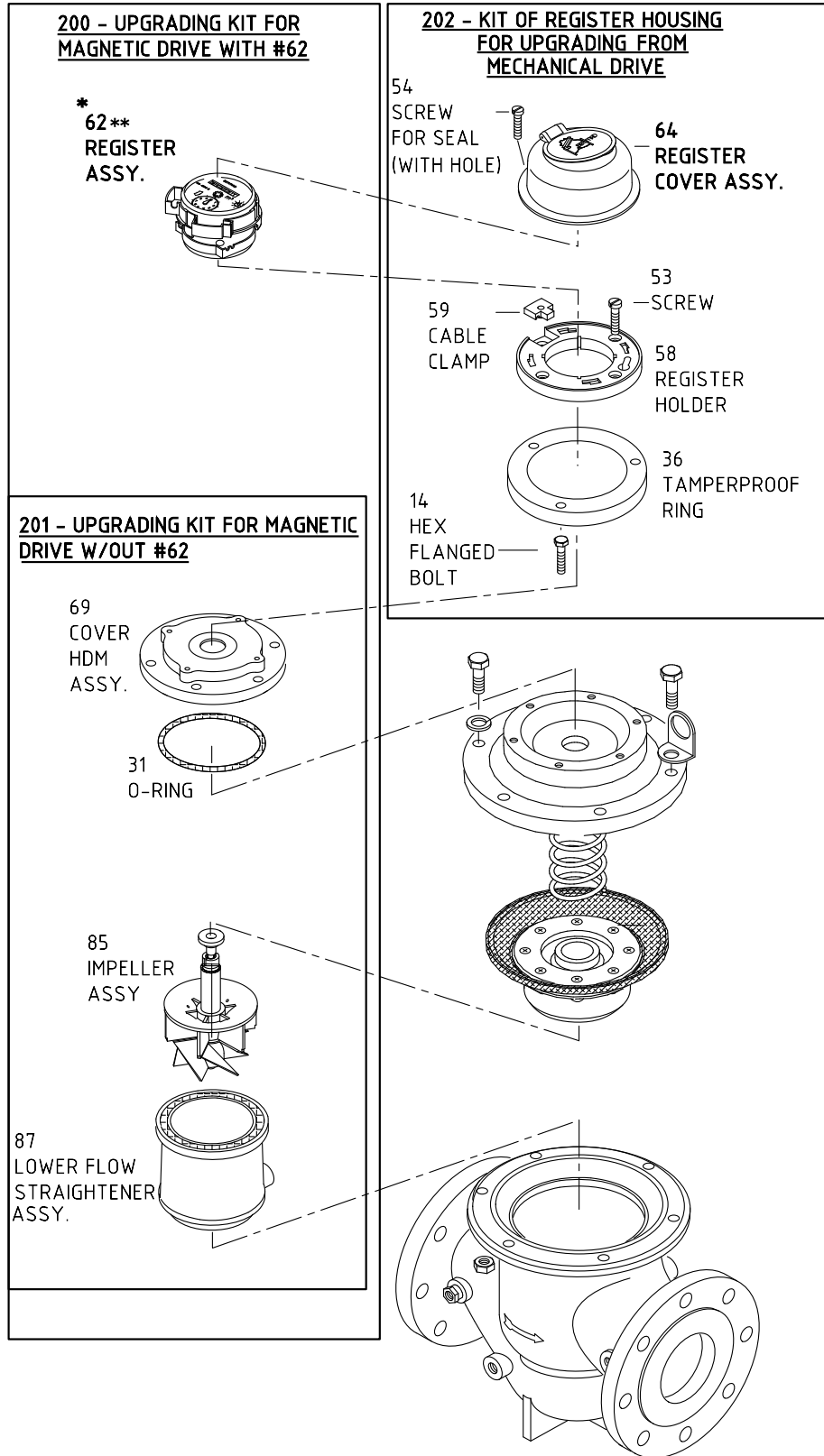


*#130 MUST BE COMPLY TO #136. SPECIFY EXISTING DIAL CAPACITY
 ** ACCORDING TO CUSTOMER DEMAND

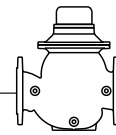


CBM - Upgrading Kit Magnetic Drive Hydrometer

Sizes: 3-4"; DN80-100

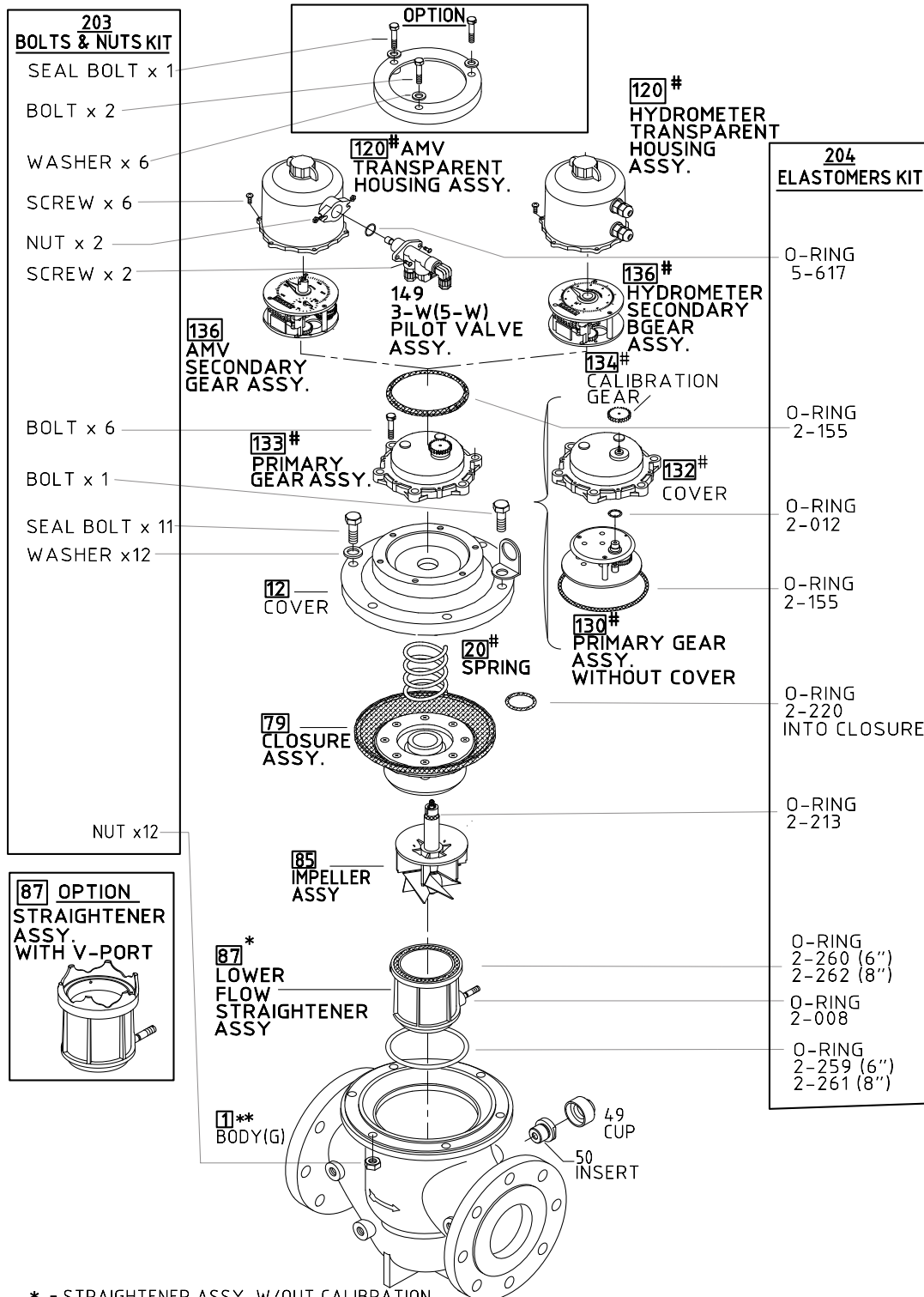


* SPECIFY REGISTER #62
 ** ACCORDING TO CUSTOMER DEMAND



CBM - Mechanical Drive Hydrometer & AMV

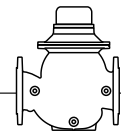
Sizes: 6-10"; DN150-250



* - STRAIGHTENER ASSY, W/OUT CALIBRATION
 □ - RANGE OF ALTERNATE CONFIGURATIONS FOR SPECIAL CONDITIONS
 # - SPECIFY EXISTING DIAL CAPACITY & COVER # 132 TYPE (PLASTIC OR SS)
 ** - OTHER VALVE BODIES OPTIONS SEE PAGE 17g.



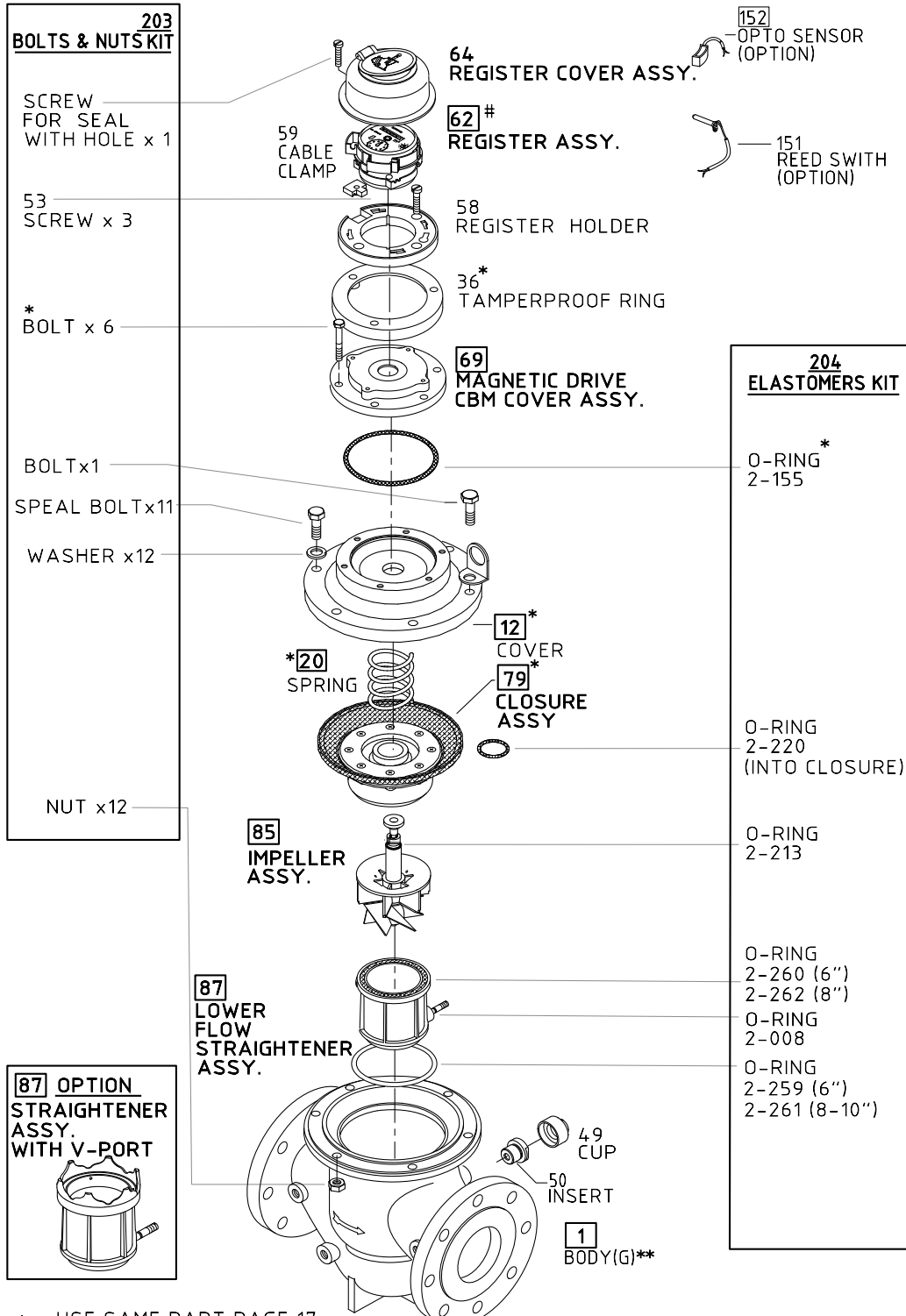
BERMAD IR Spare Parts



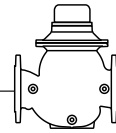
900 Series

CBM - Magnetic Drive Hydrometer

Sizes: 6-10"; DN150-250

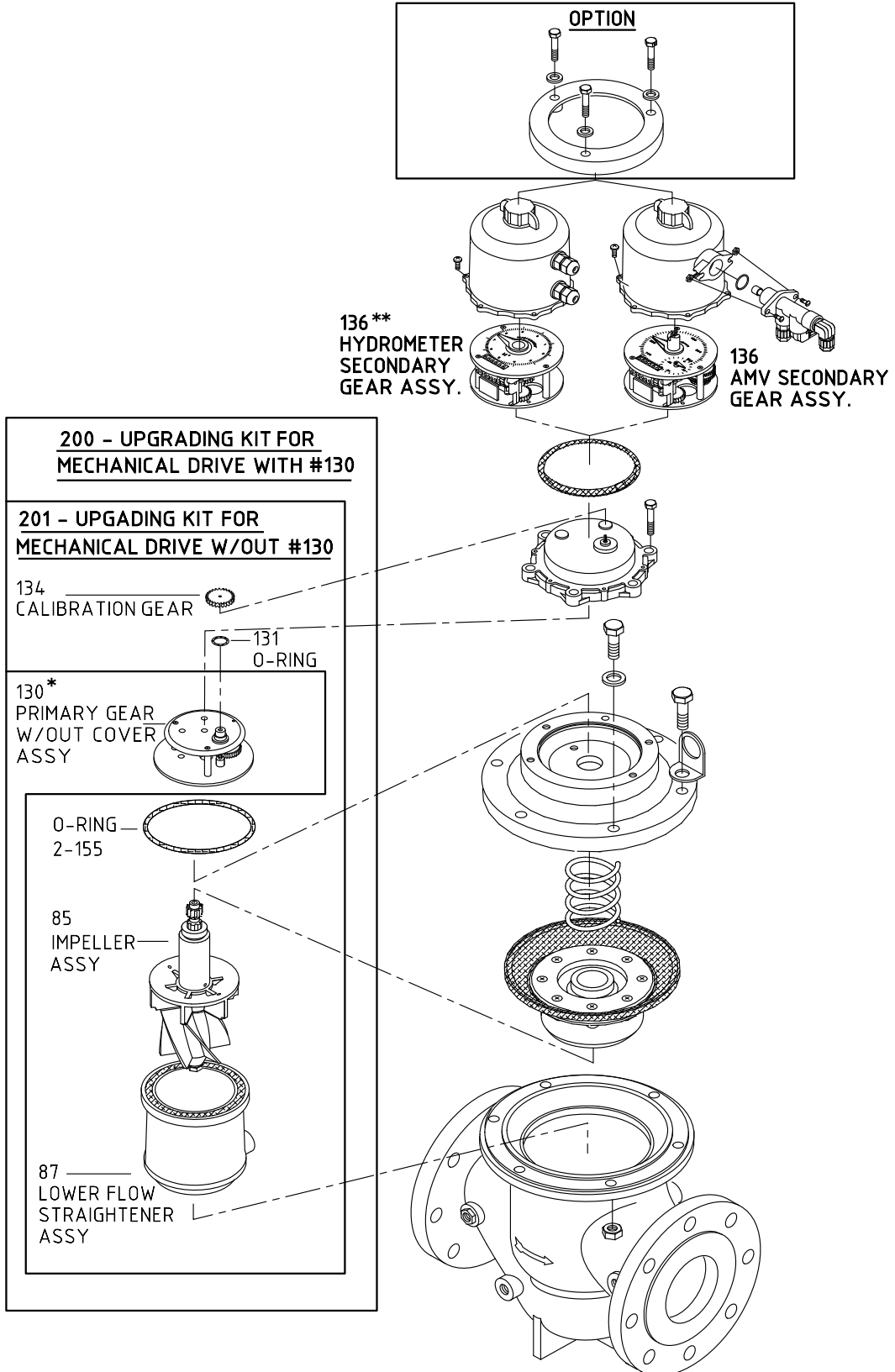


- * - USE SAME PART PAGE 17
- - RANGE OF DIFERENT CONFIGURATIONS ACORDING SPECIFIC REQUIEREMENTS
- # - SPECIFY REGISTER ACCORDING TO INSTRUCTIONS
- ** - OTHER VALVE BODIES OPTIONS SEE PAGE 17g.



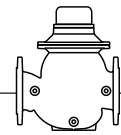
CBM - Upgrading Mechanical Drive Hydrometer & AMV

Sizes: 6-10"; DN150-250



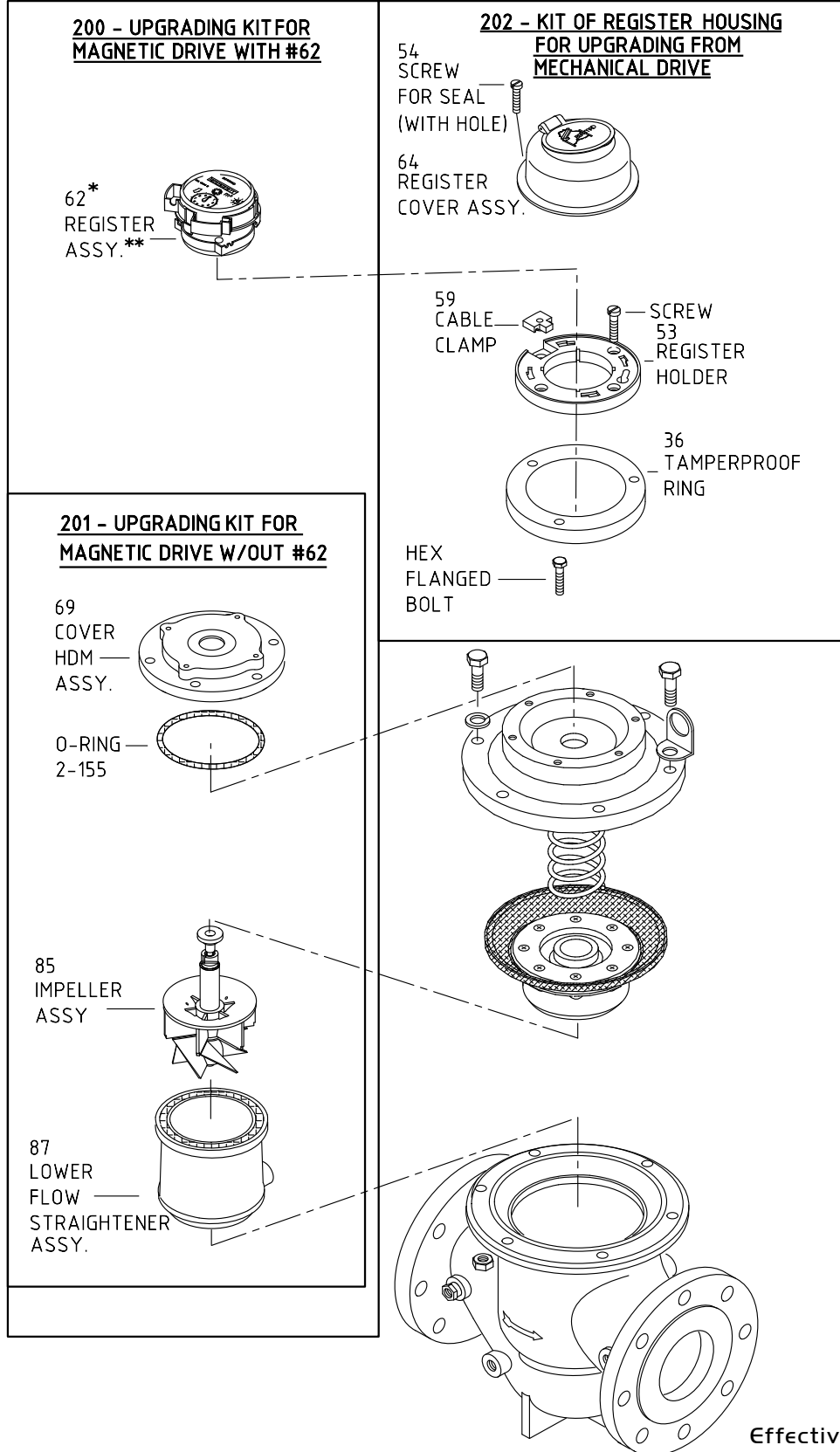
Effective 10/2014

* #130 MUST BE COMPLY TO #136. SPECIFY EXISTING DIAL CAPACITY
** ACCORDING TO CUSTOMER DEMAND



CBM - Upgrading Magnetic Drive Hydrometer

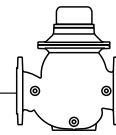
Sizes: 6-10"; DN150-250



* SPECIFY REGISTER #62
 ** ACCORDING TO CUSTOMER DEMAND



BERMAD IR Spare Parts



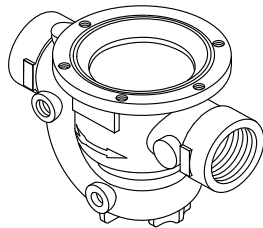
900 Series

G, A & H Bodies Patterns Options

Sizes: 1½-10"; DN40-250

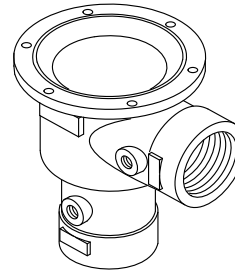
GLOBE THREADED BODY

9g-1.5"-3"R"BSP.F
9n-1.5"-2"NPT



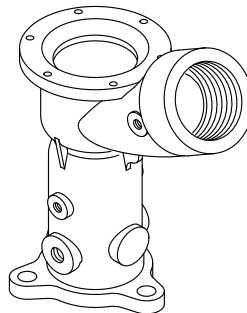
ANGLE THREADED BODY

9d-2"BSP.T
9c: 2" BODY FLANGED/THREADED



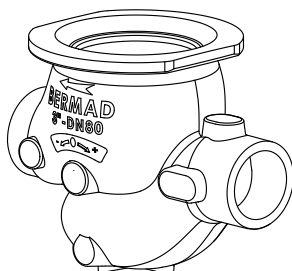
THREADED HYDRANT BODY BSP

FOR PADDLE PILOT.
9h-2.5"BSP.T



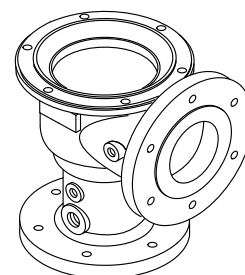
GROOVED BODY

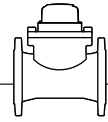
9r-sizes: 3"-6"



ANGLE FLANGED BODY

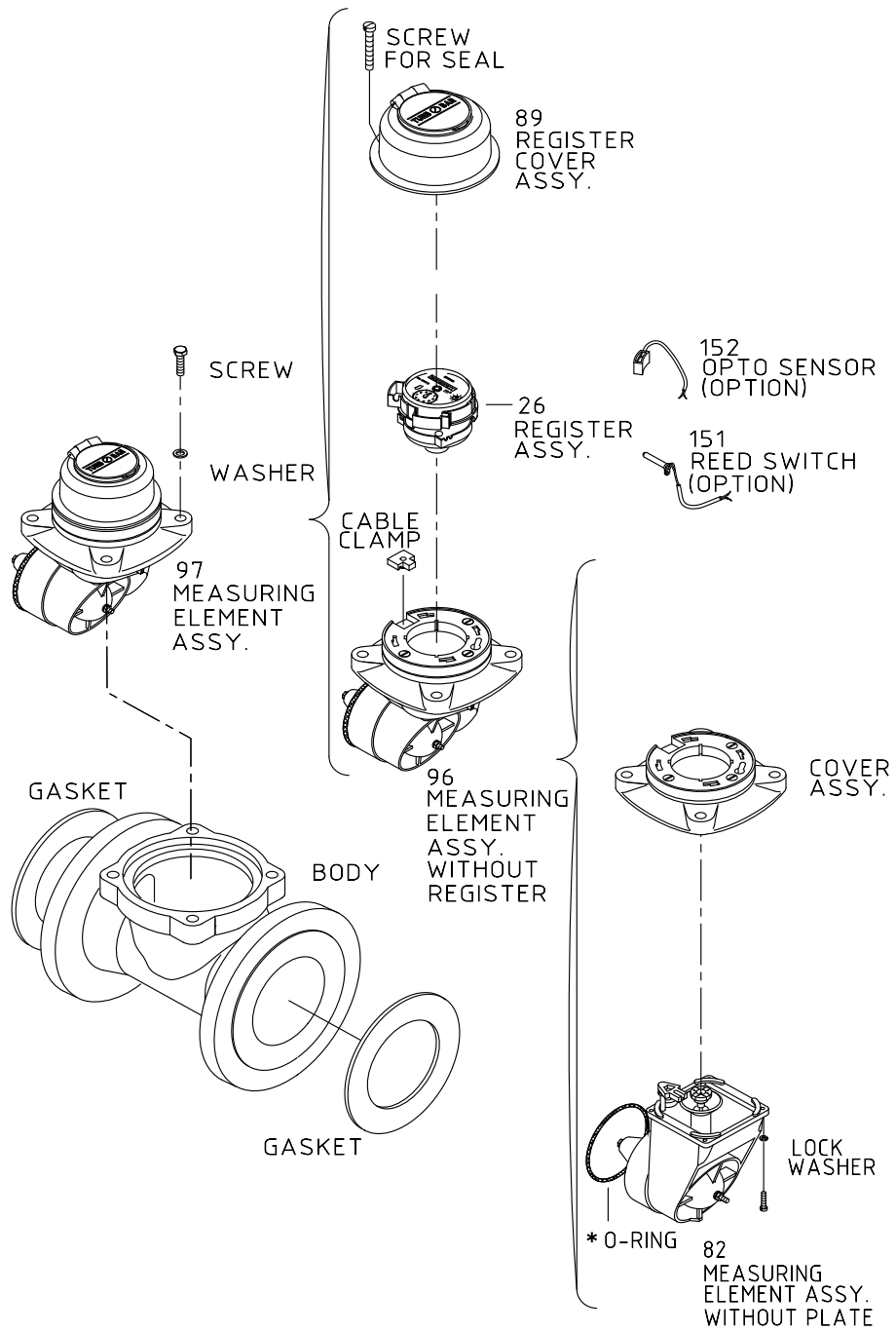
9f-sizes:3"-8"
9a:4" FLANGED BODY FOR HYDRANT





Woltman Turbo-Bar Water-Meters

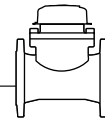
Sizes: 1½-5"; DN40-125



* FOR DN 40-80 mm (1 1/2" - 3") ONLY.



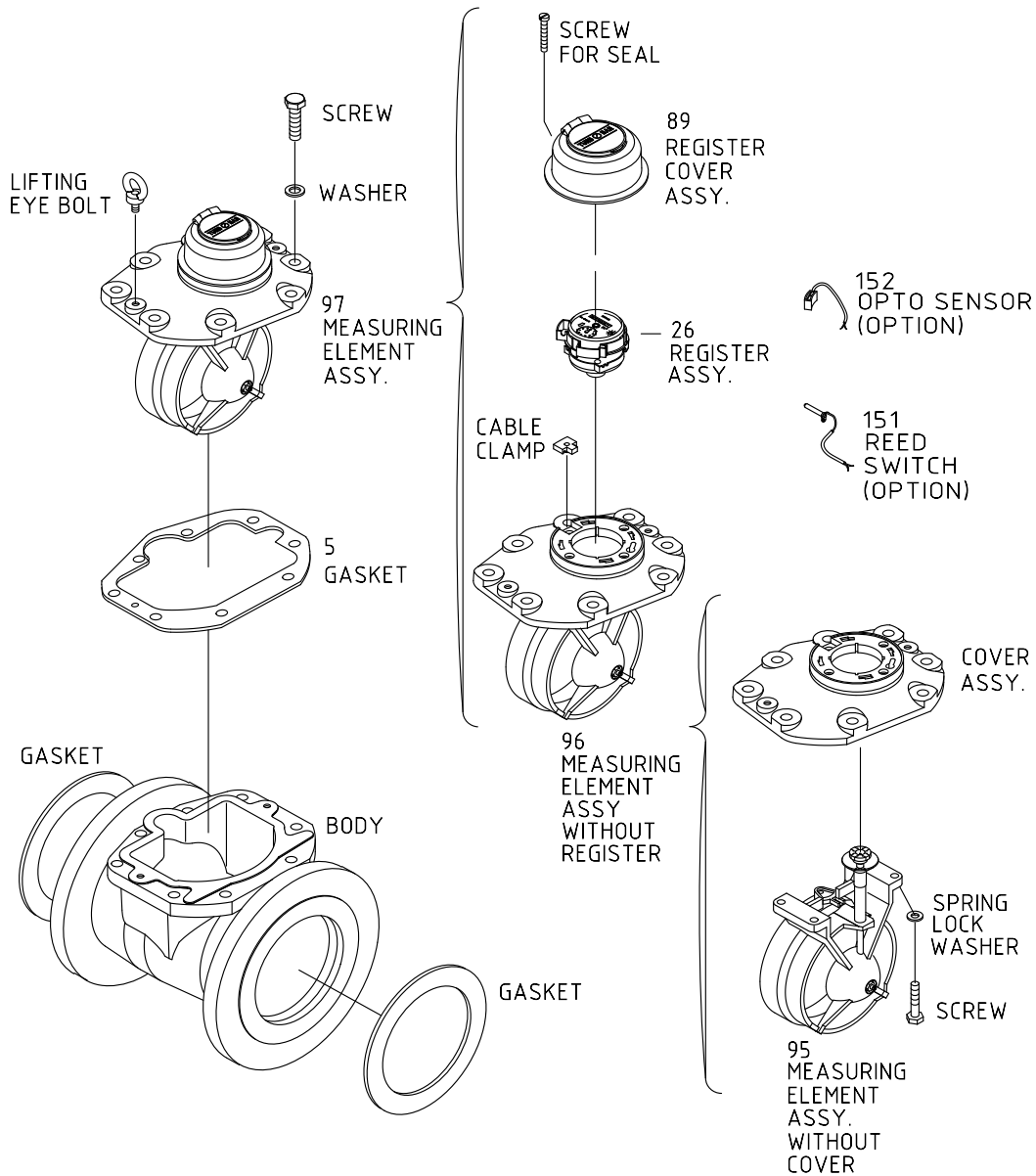
BERMAD IR Spare Parts



WPH Series

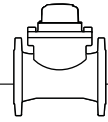
Woltman Turbo-Bar Water-Meters

Sizes: 6-8"; DN150-200





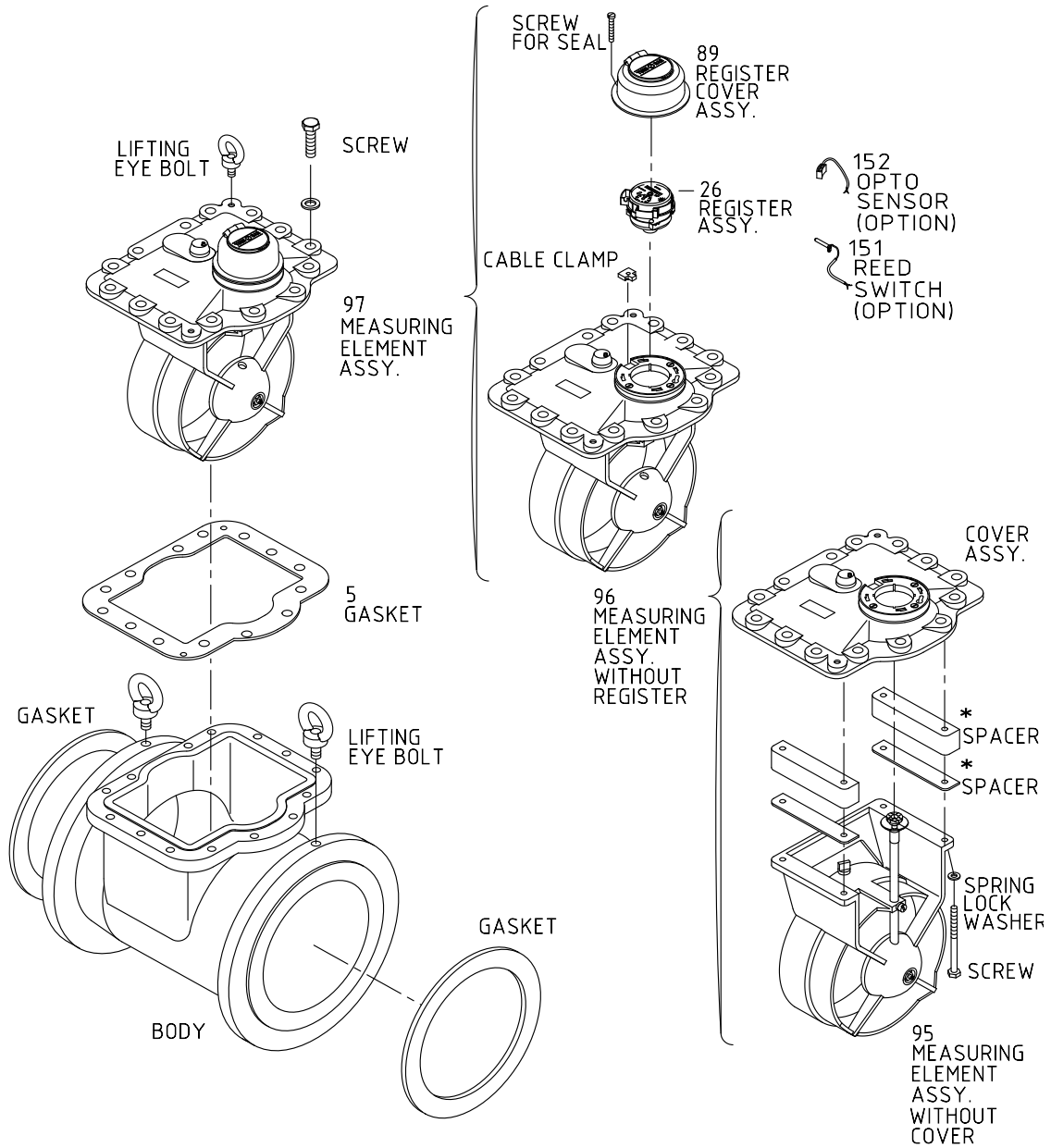
BERMAD IR Spare Parts



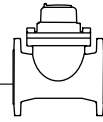
WPH Series

Woltman Turbo-Bar Water-Meters

Sizes: 10-20"; DN250-500

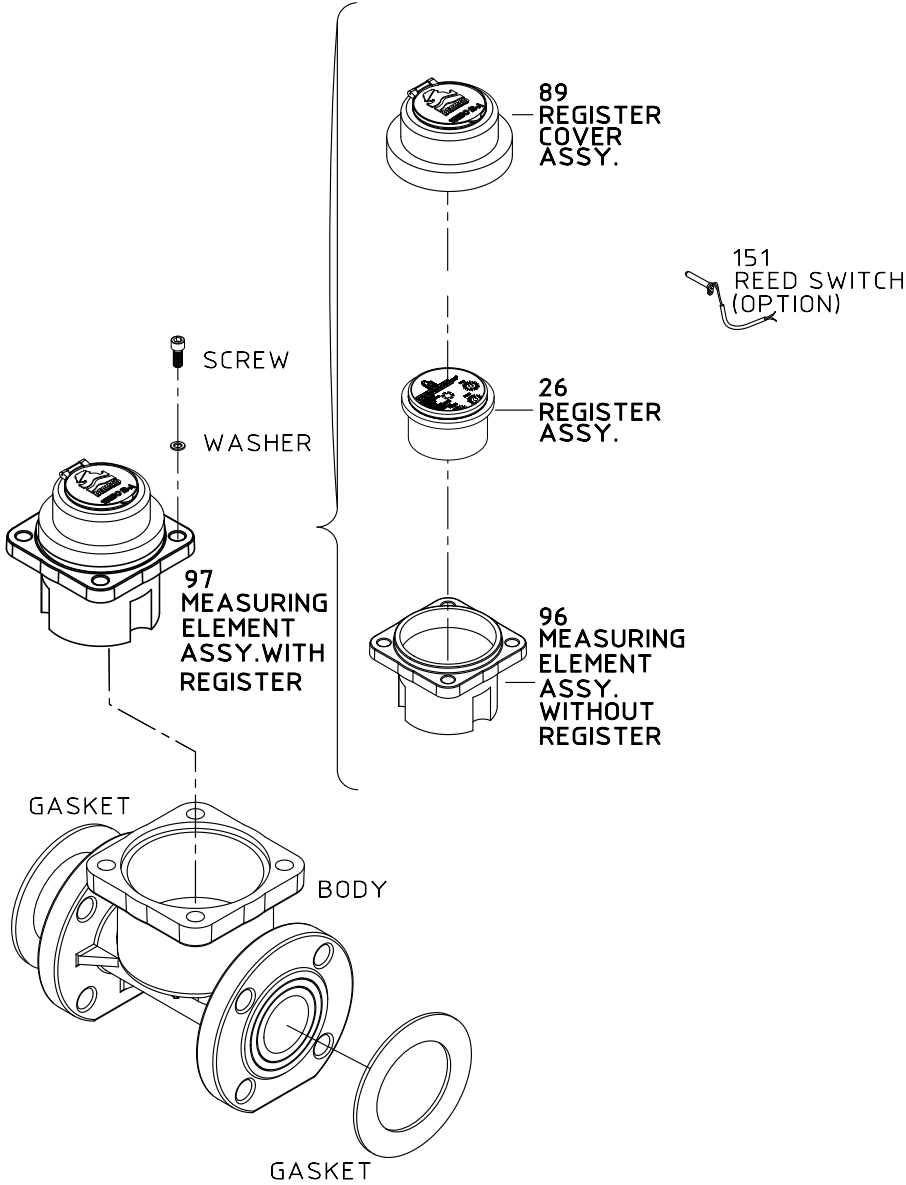


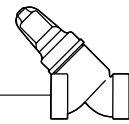
* FOR DN 400-500 mm (16" - 20") ONLY



Water-Meters

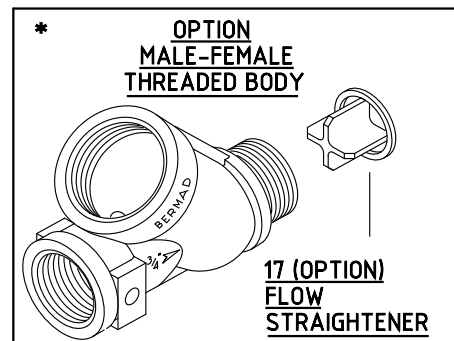
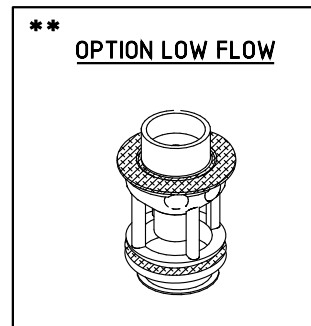
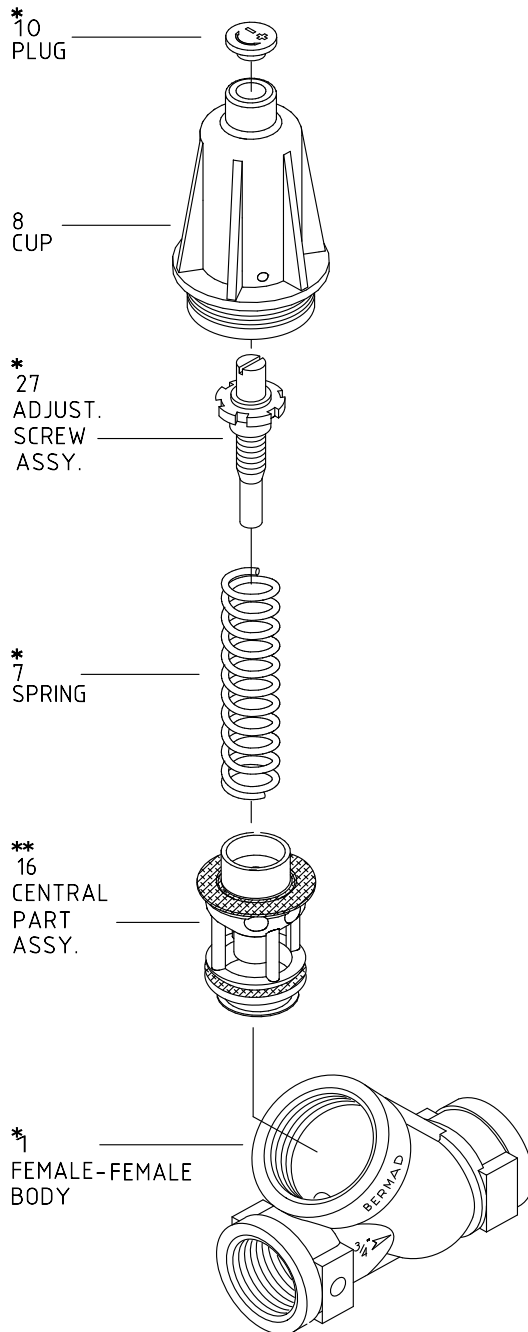
Sizes: 2-12"; DN50-300



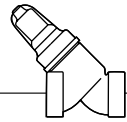


Direct Acting Pressure Reducing Valve

Size: 3/4"; DN20



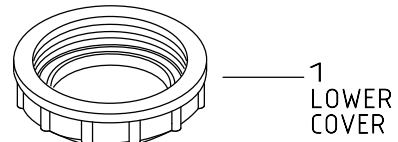
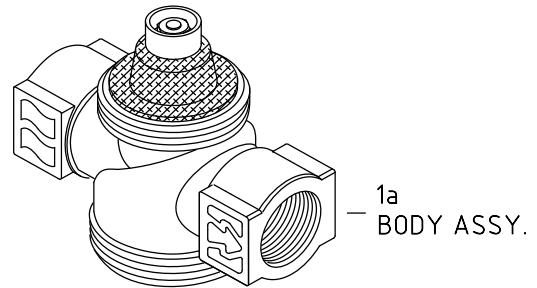
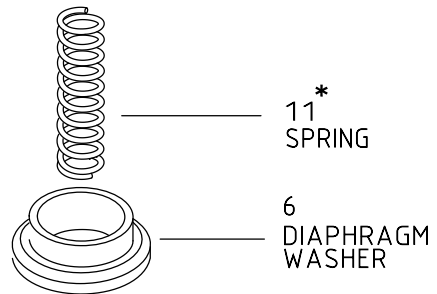
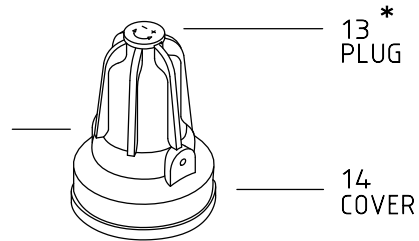
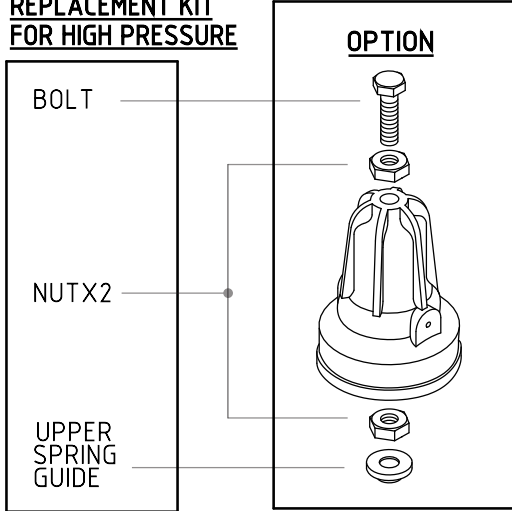
*** - DIFFERENT COLORS

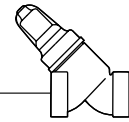


Direct Acting Pressure Reducing Valve

Size: 1"; DN25

28
REPLACEMENT KIT
FOR HIGH PRESSURE

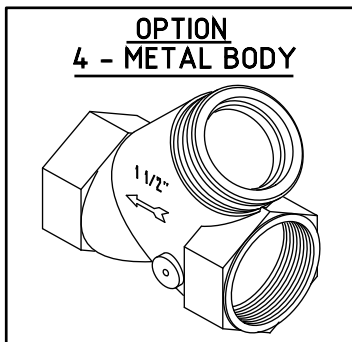
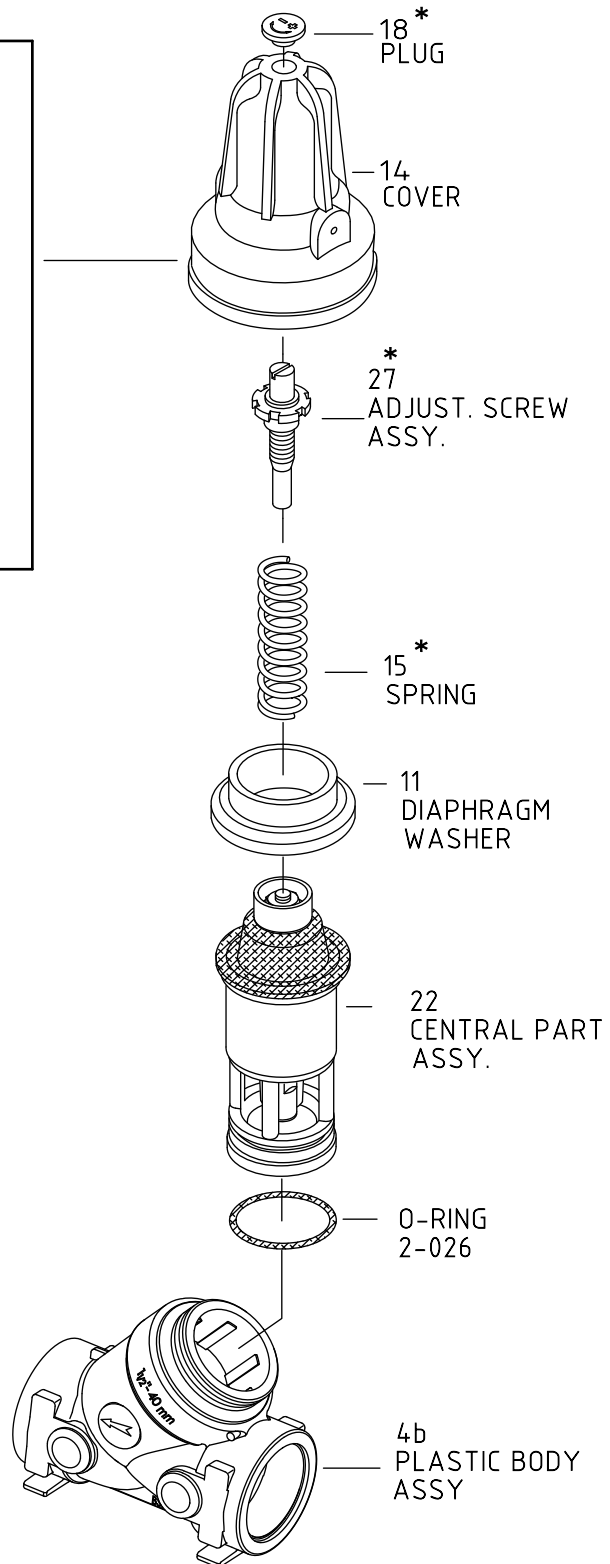
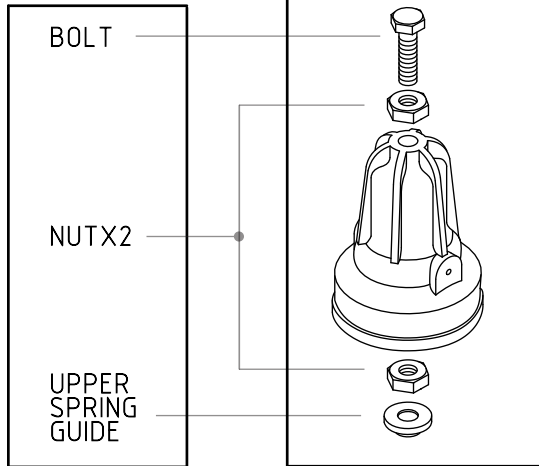


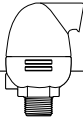


Direct Acting Pressure Reducing Valve

Size: 1½"; DN40

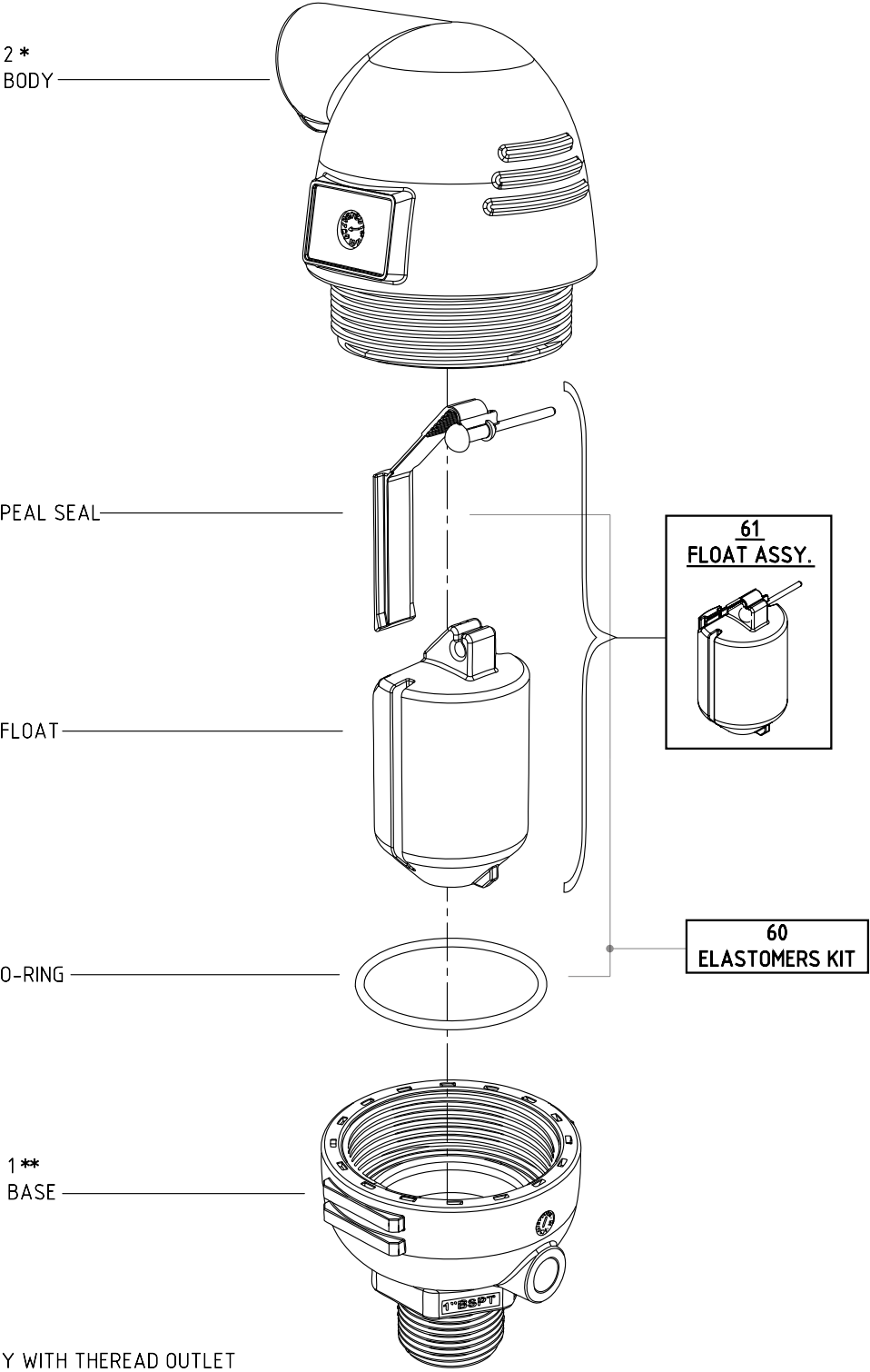
28 REPLACEMENT KIT FOR HIGH PRESSURE



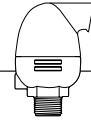


AIO Automatic Air Release Valve

Sizes: 3/4-1"; DN20-25

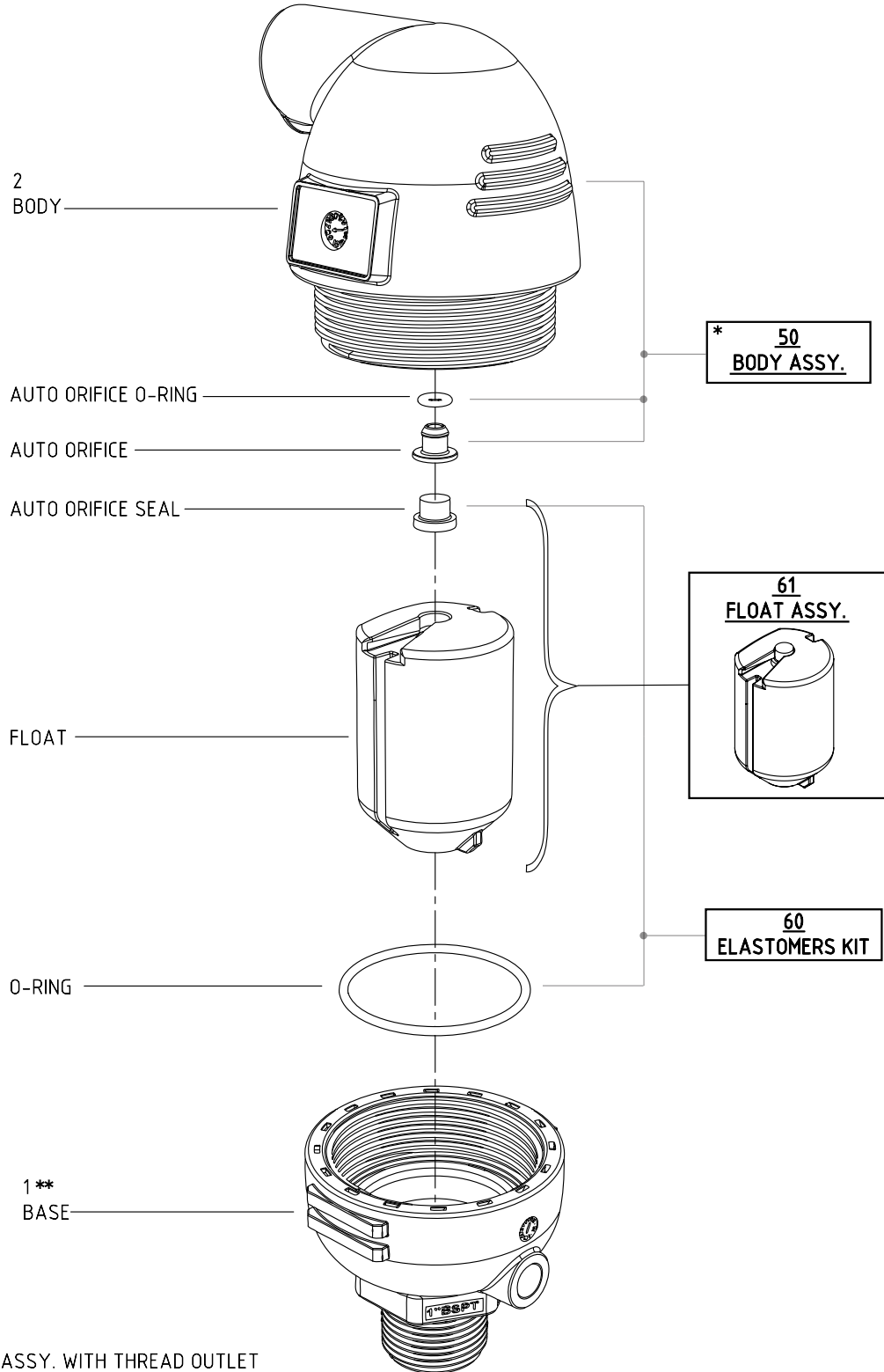


* -2a BODY WITH THEROAD OUTLET
** -1a BASE WITH 1/8" NPT PLUG

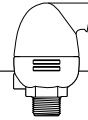


All Automatic Air Release Valve

Sizes: 3/4-1"; DN20-25

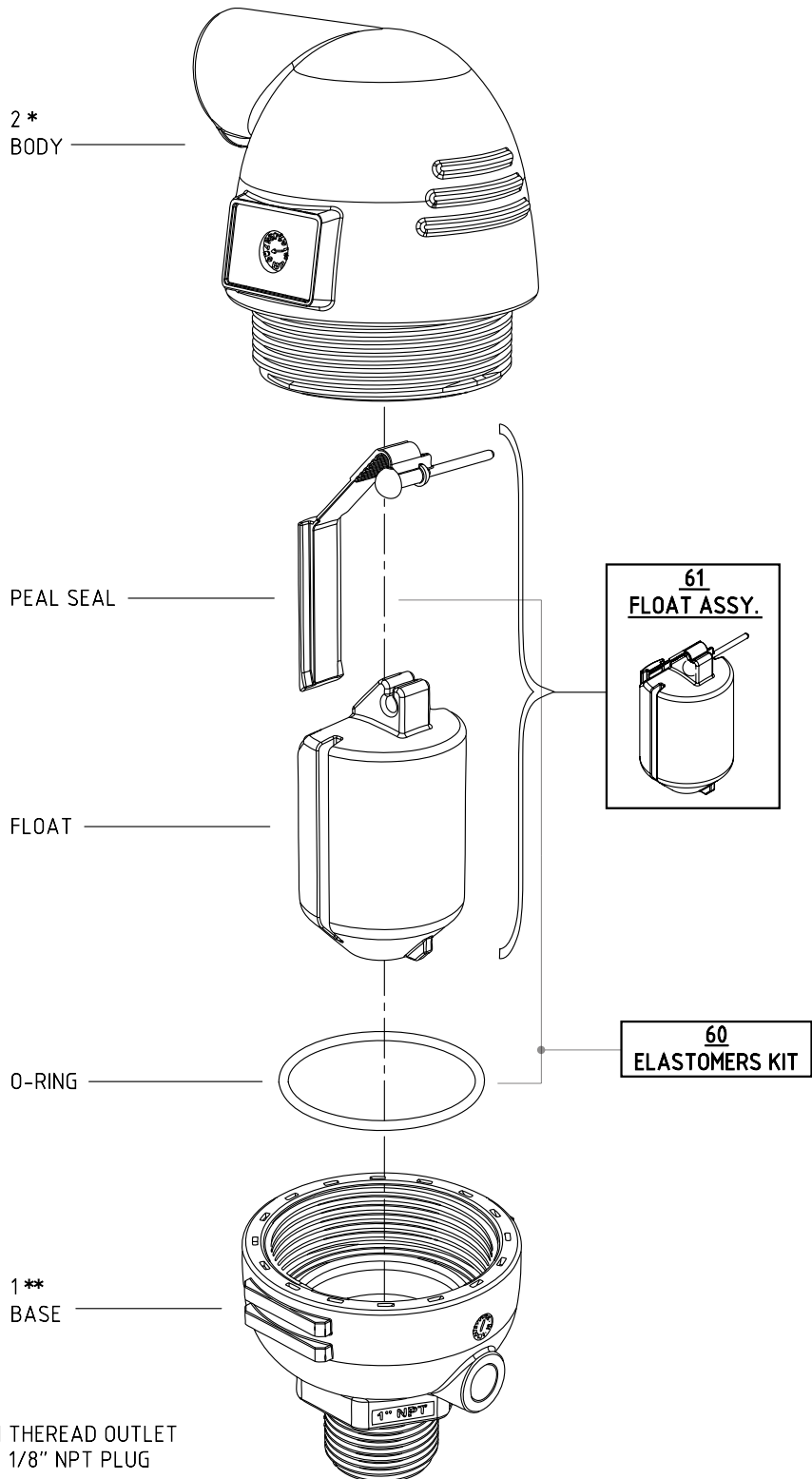


* -50a BODY ASSY. WITH THREAD OUTLET
** -1a BASE WITH 1/8" NPT PLUG

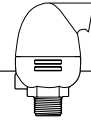


A30 Automatic Air Release Valve

Sizes: 3/4-1"; DN20-25

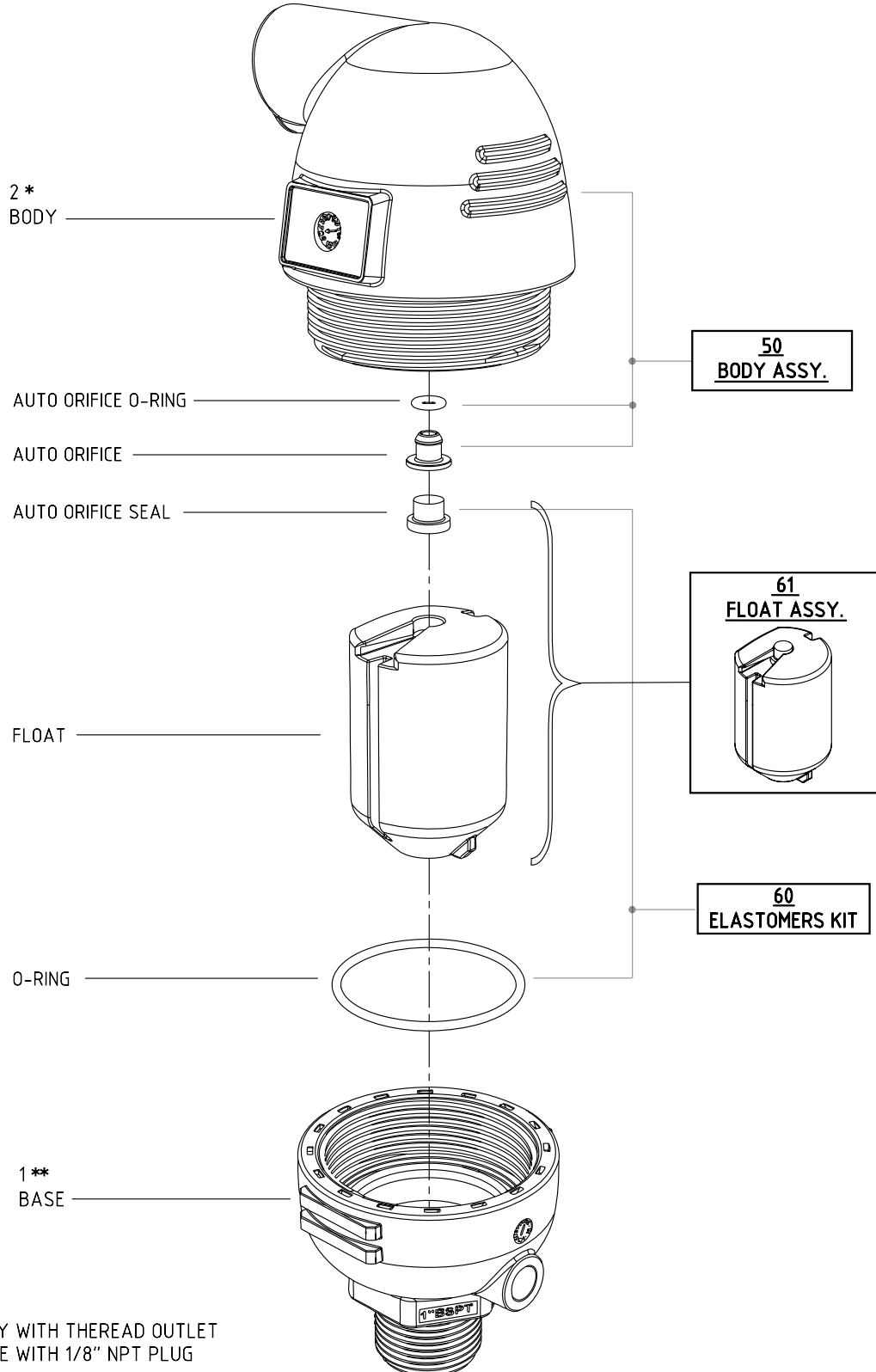


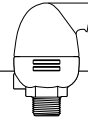
* -2a BODY WITH THEREAD OUTLET
** -1a BASE WITH 1/8" NPT PLUG



A3I Automatic Air Release Valve

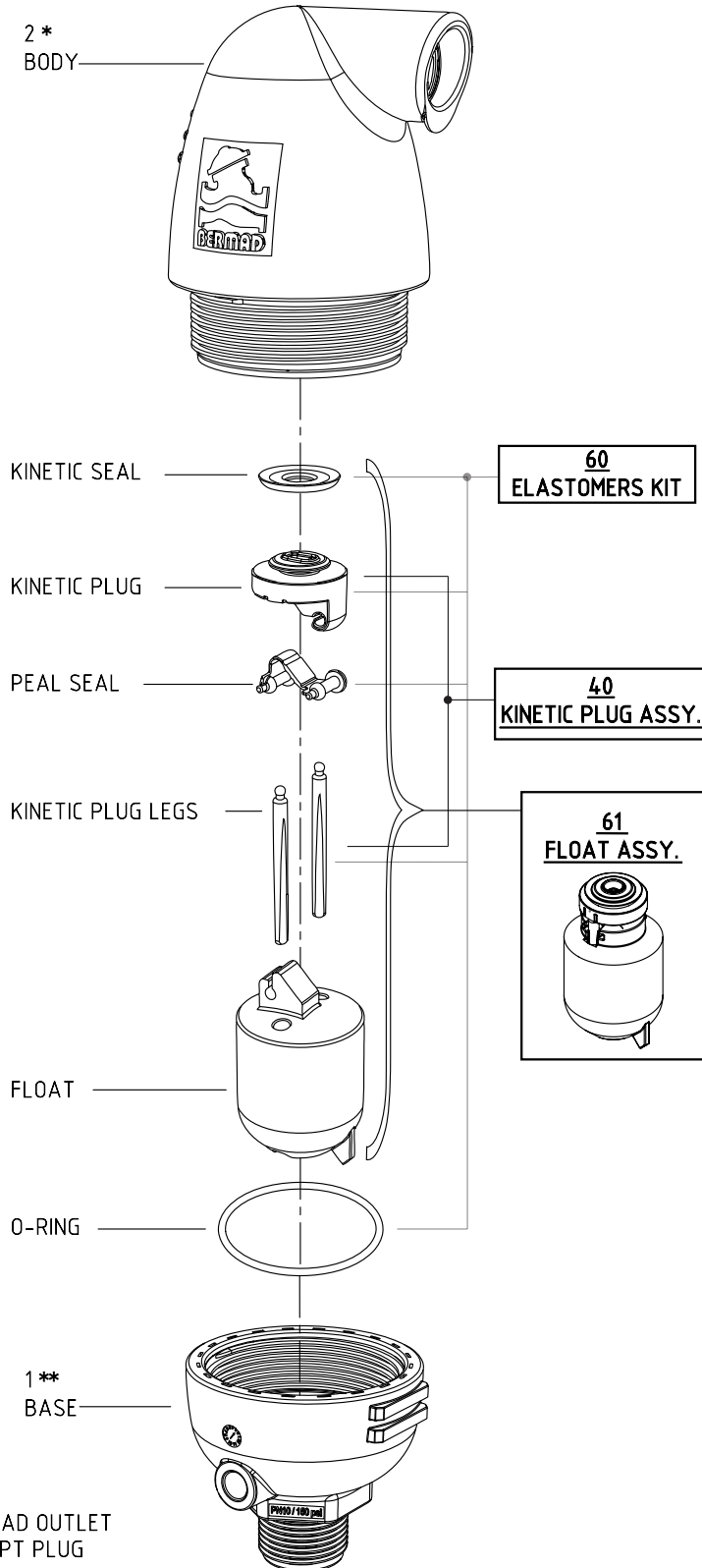
Sizes: 3/4-1"; DN20-25



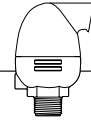


CIO Combination Air Valve

Sizes: 3/4-1"; DN20-25

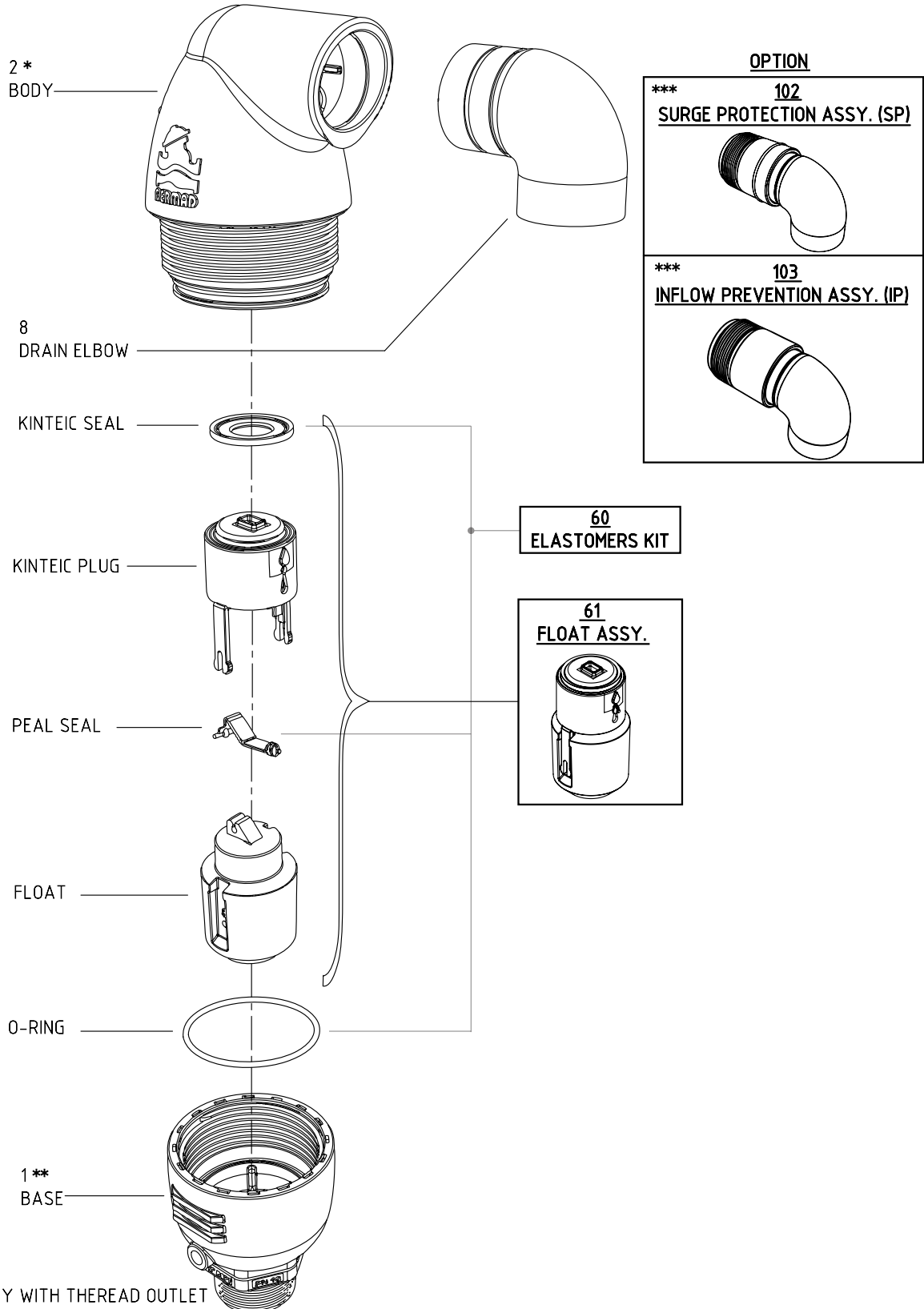


* -2a BODY WITH THEREAD OUTLET
 ** -1a BASE WITH 1/8" NPT PLUG

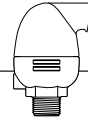


CIO Combination Air Valve

Sizes: 2"; DN50

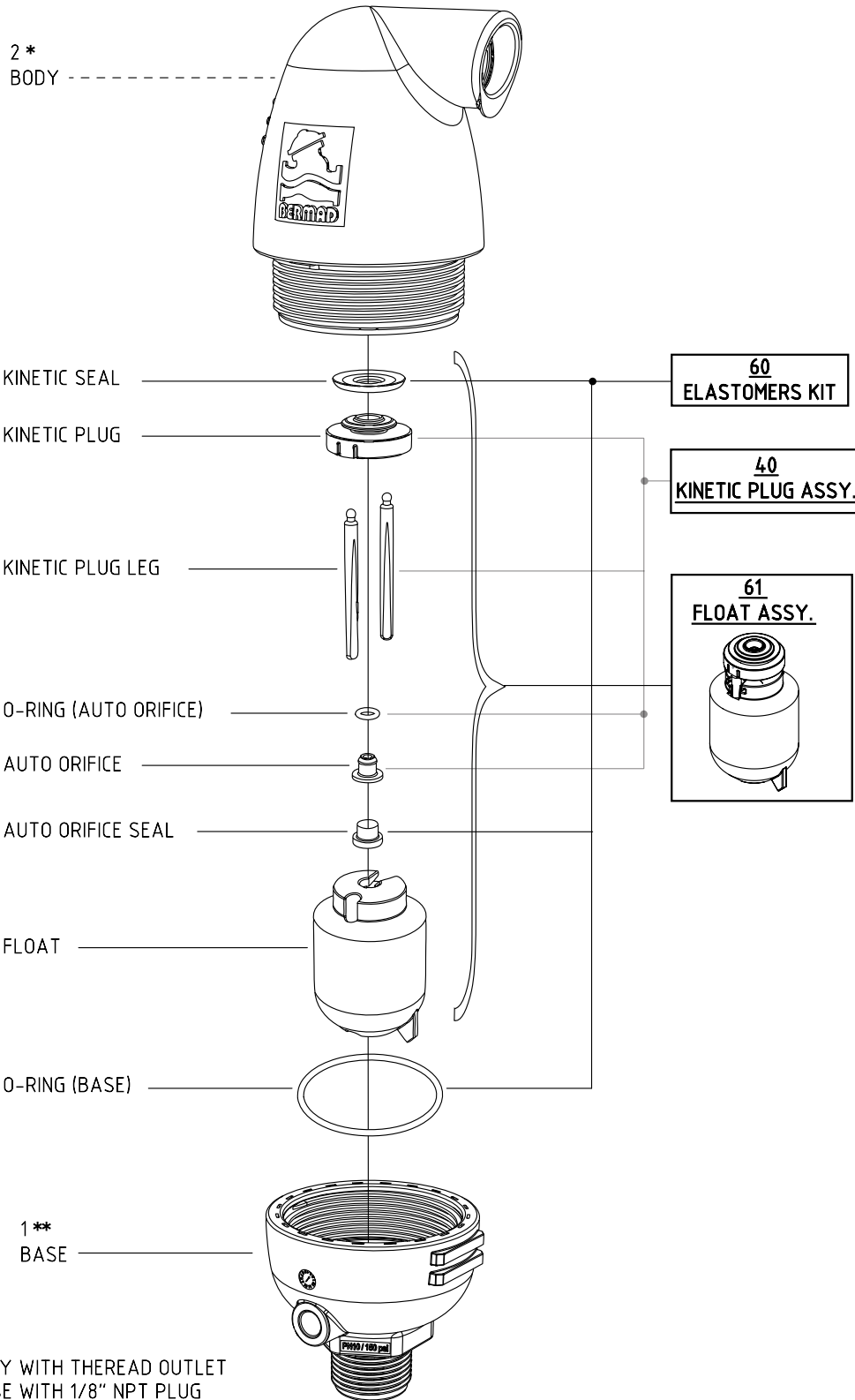


* -2a BODY WITH THEREAD OUTLET
 ** -1a BASE WITH 1/4" NPT PLUG
 *** -ASSEMBLED WITH THREADED OUTLET BODY (2a)

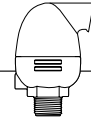


CII Combination Air Valve

Sizes: 3/4-1"; DN20-25

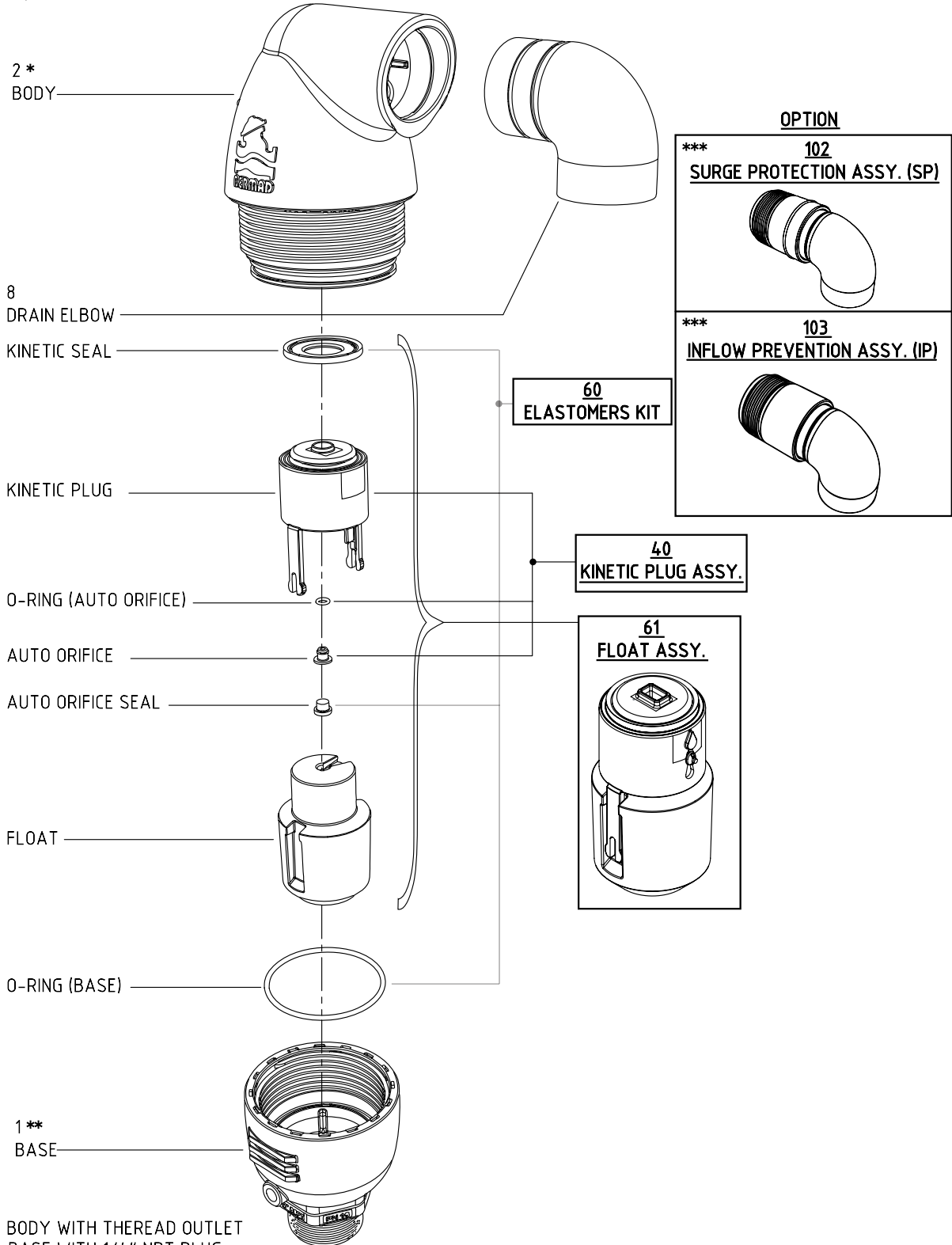


* -2a BODY WITH THEROAD OUTLET
 ** -1a BASE WITH 1/8" NPT PLUG

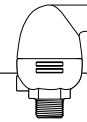


CII Combination Air Valve

Sizes: 2"; DN50

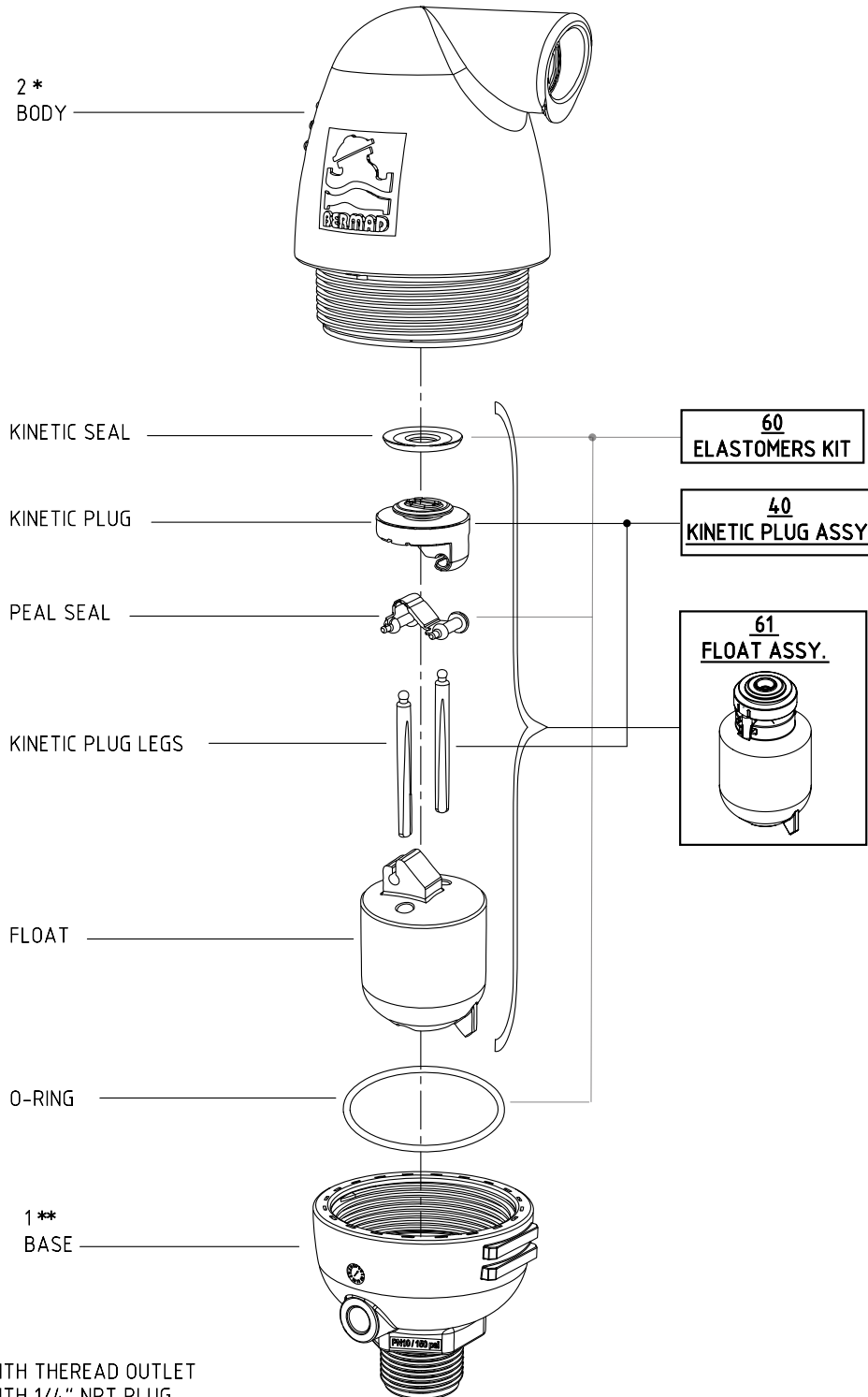


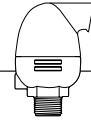
* -2a BODY WITH THEREAD OUTLET
 ** -1a BASE WITH 1/4" NPT PLUG
 *** -ASSEMBLED WITH THREDED OUTLET BODY (2a)



C30 Combination Air Valve

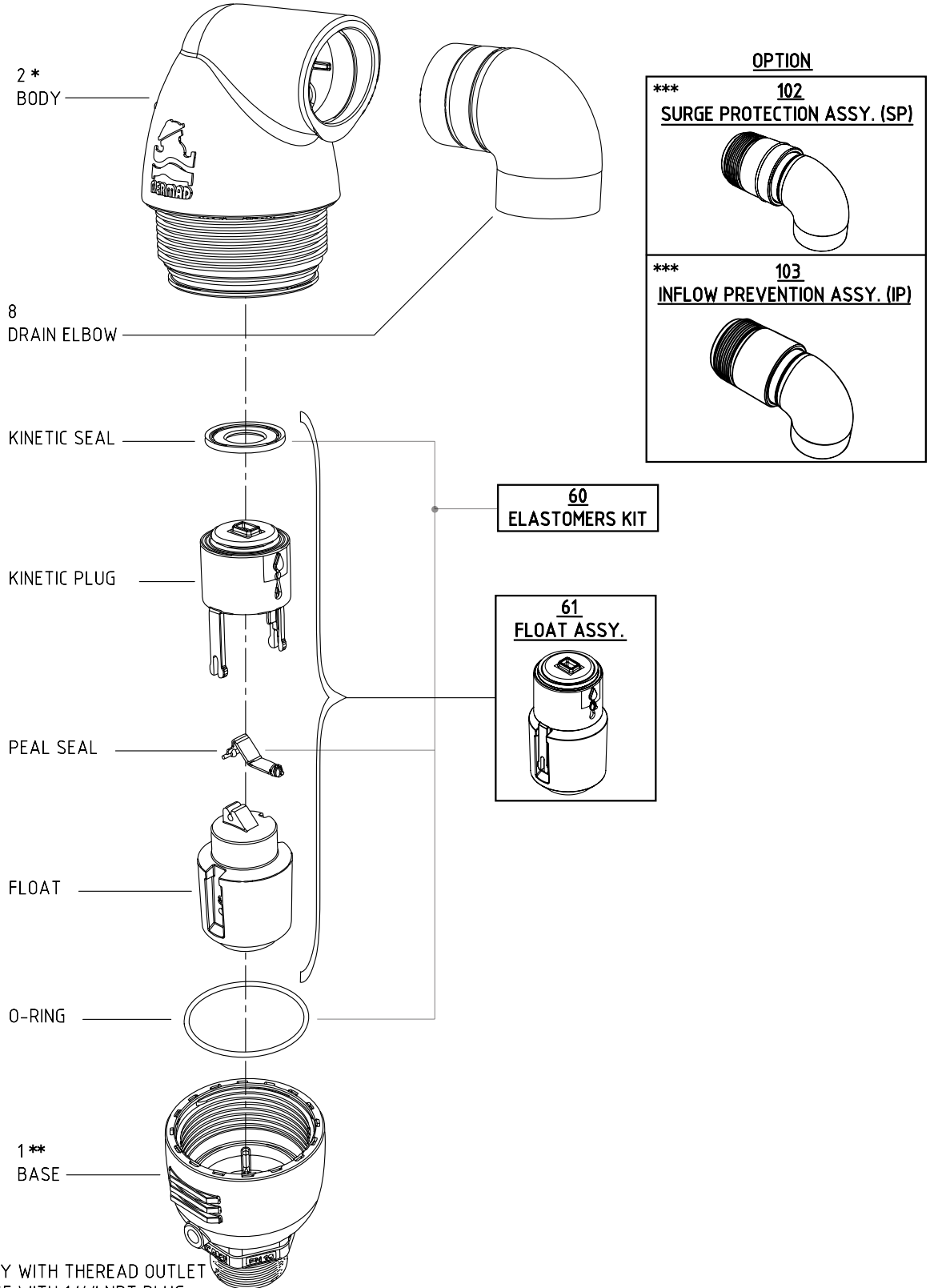
Sizes: 3/4-1"; DN20-25





C30 Combination Air Valve

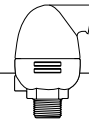
Sizes: 2"; DN50



* -2a BODY WITH THEREAD OUTLET
 ** -1a BASE WITH 1/4" NPT PLUG
 *** -ASSEMBLED WITH THREADED OUTLET BODY (2a)



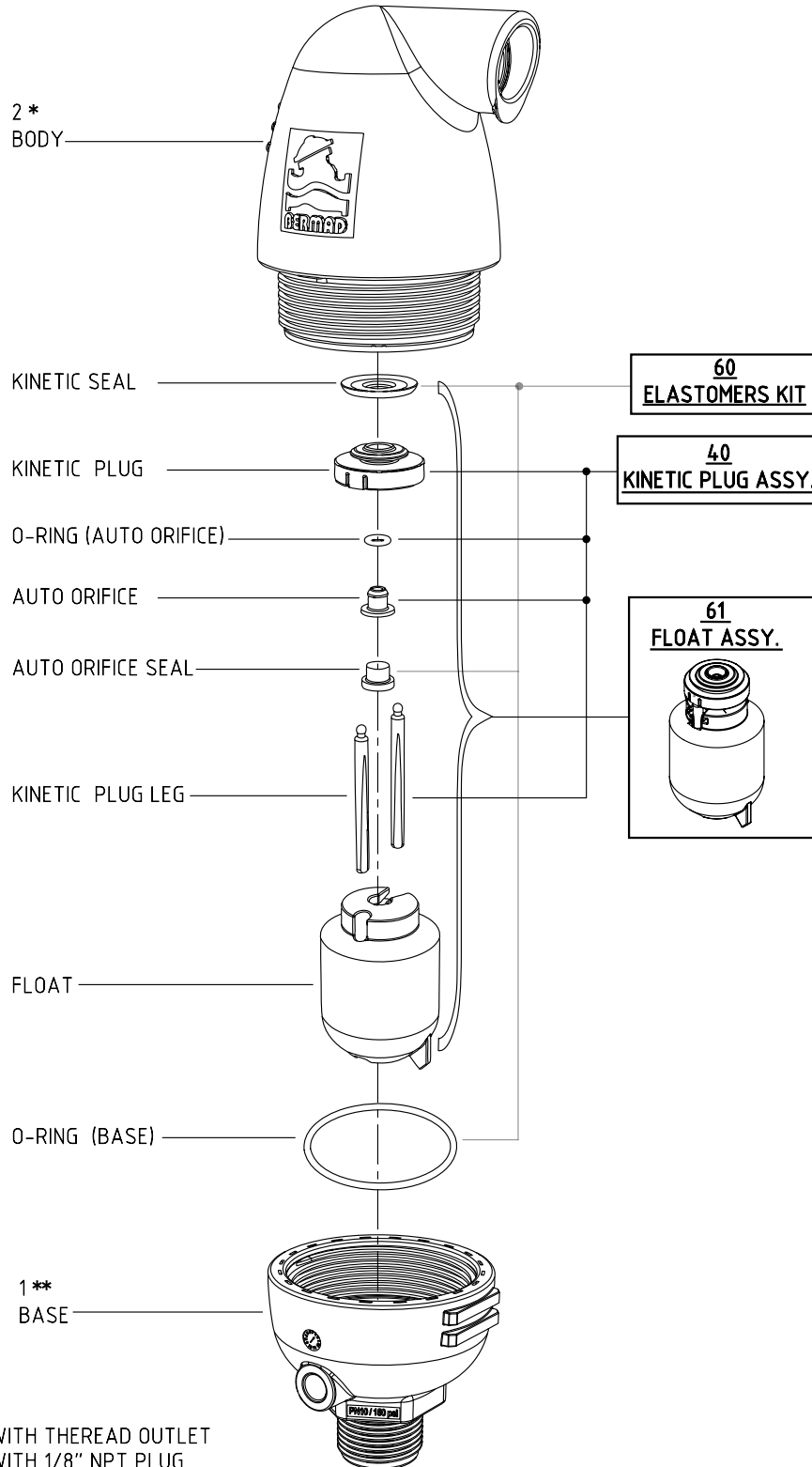
BERMAD IR Spare Parts



AV Series

C3I Combination Air Valve

Sizes: 3/4-1"; DN20-25

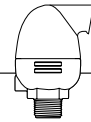


25g

Effective 10/2014



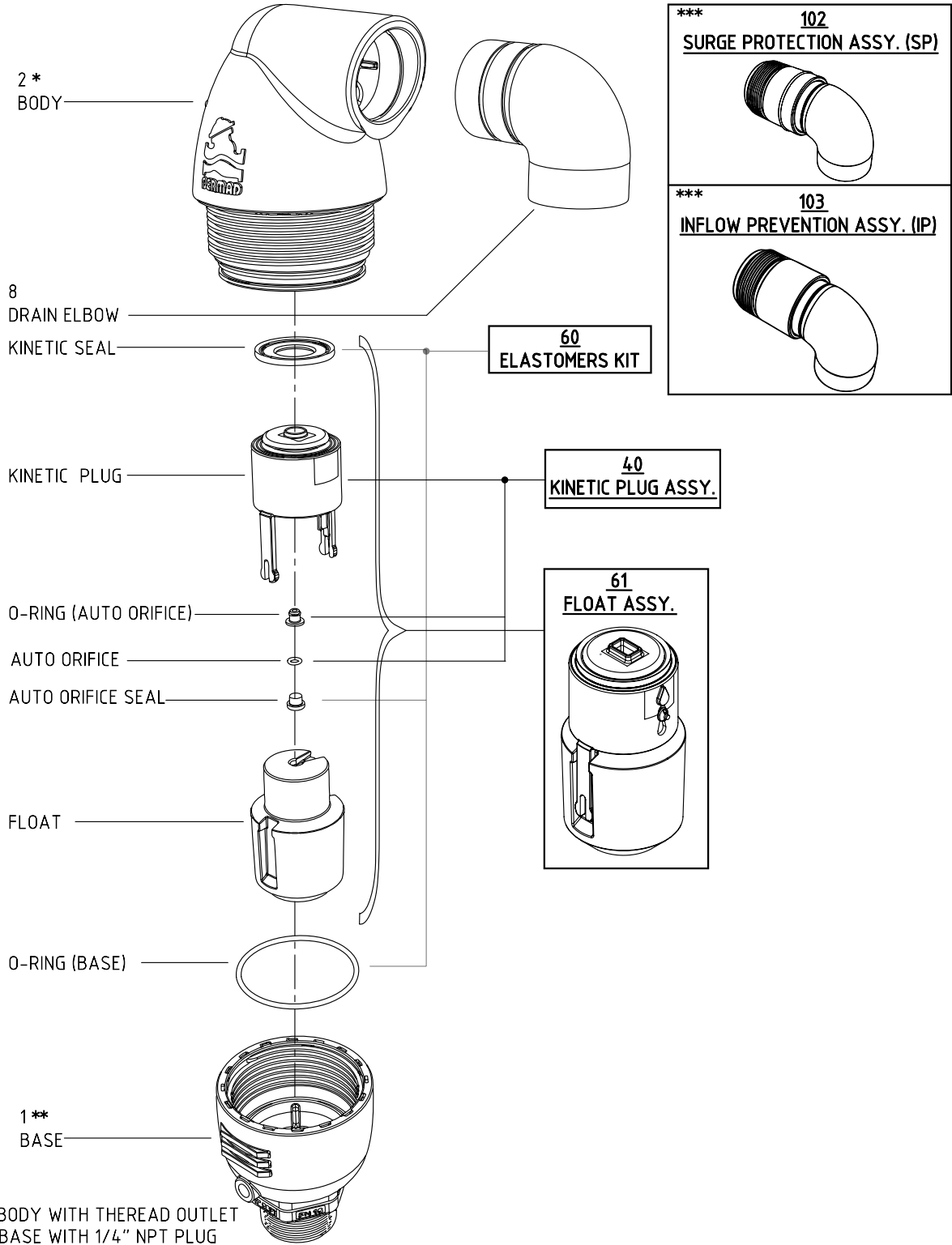
BERMAD IR Spare Parts



AV Series

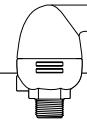
C3I Combination Air Valve

Size: 2"; DN50





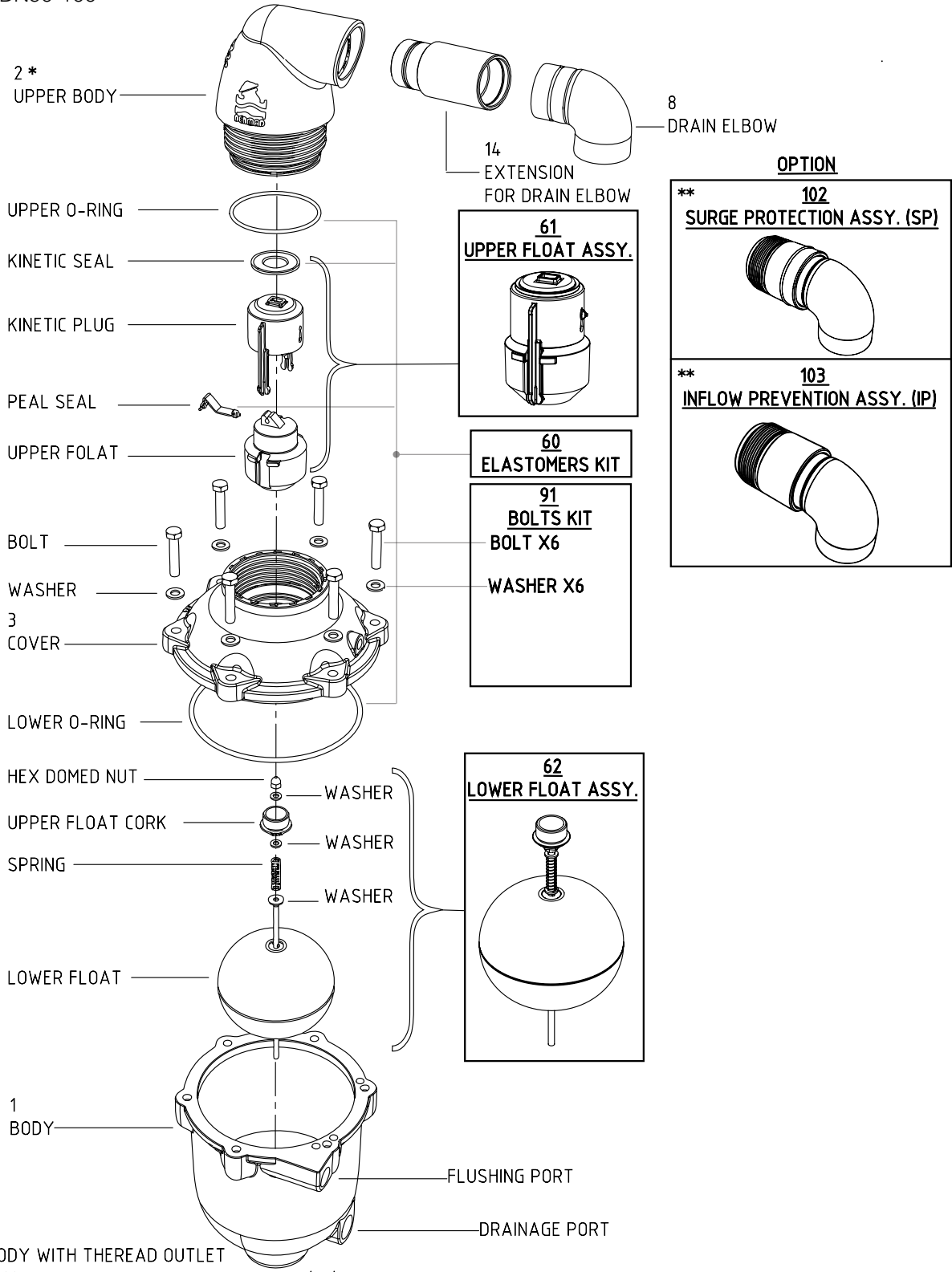
BERMAD IR Spare Parts



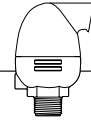
AV Series

C50 Sewage & Wastewater Combination Air Valve

Sizes: 2-4"; DN50-100

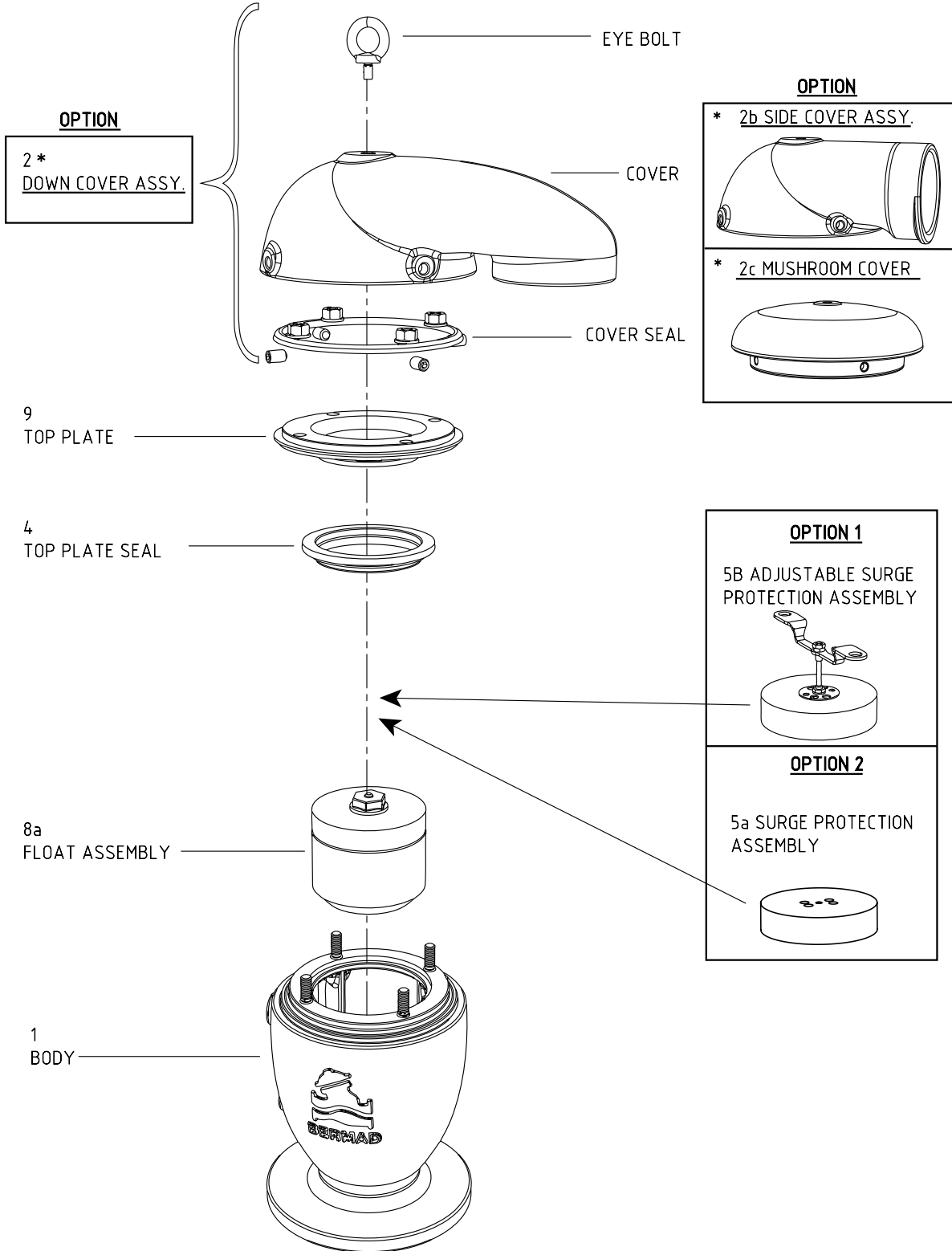


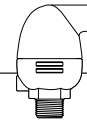
* -2a BODY WITH THEREAD OUTLET
 ** -ASSEMBLED WITH THREADED OUTLET BODY (2a)



C70 Combination Air Valve (Assembly, Earlier Version)

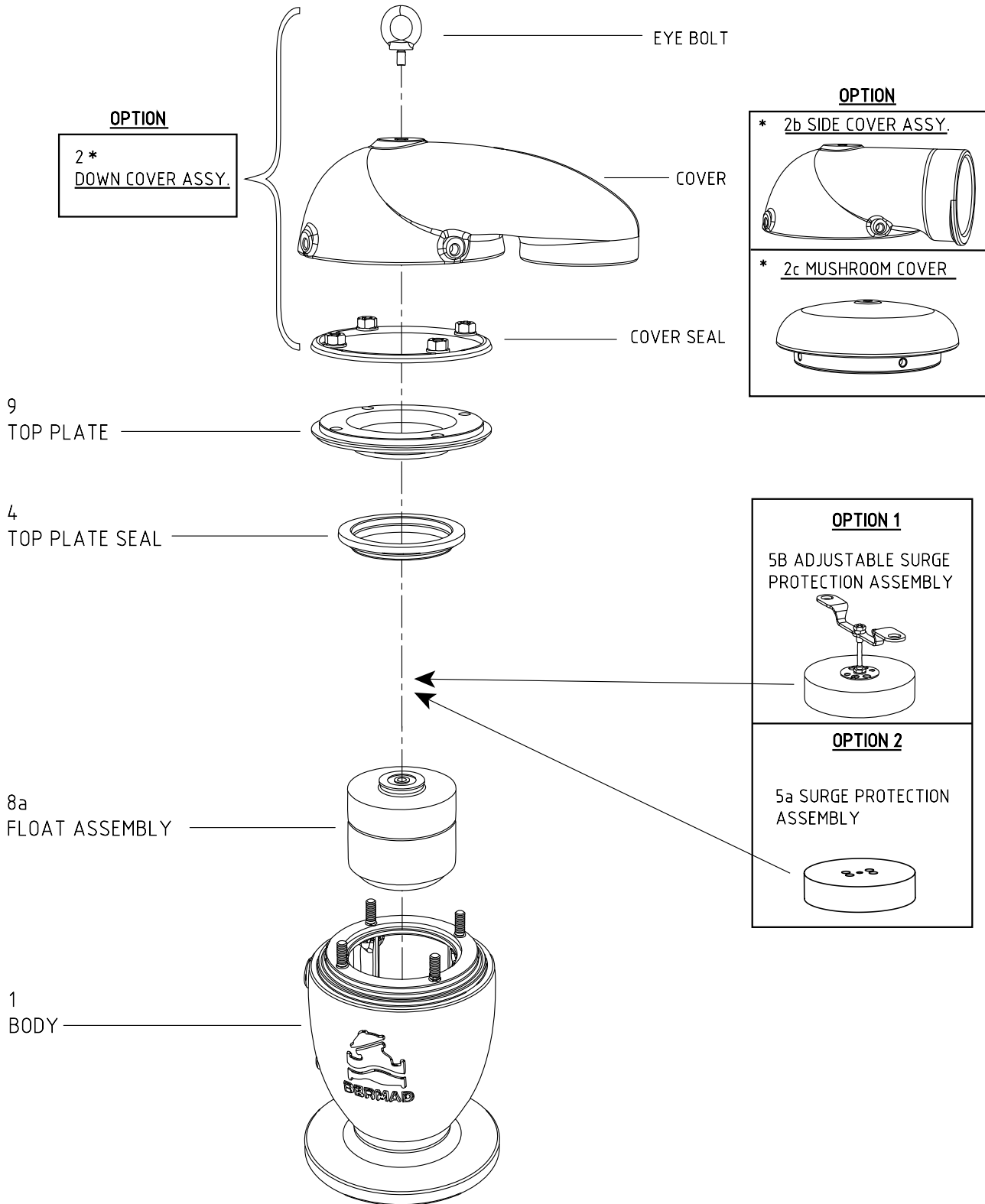
Sizes: 2-8"; DN50-200

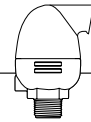




C70 Combination Air Valve (Assembly, Later Version)

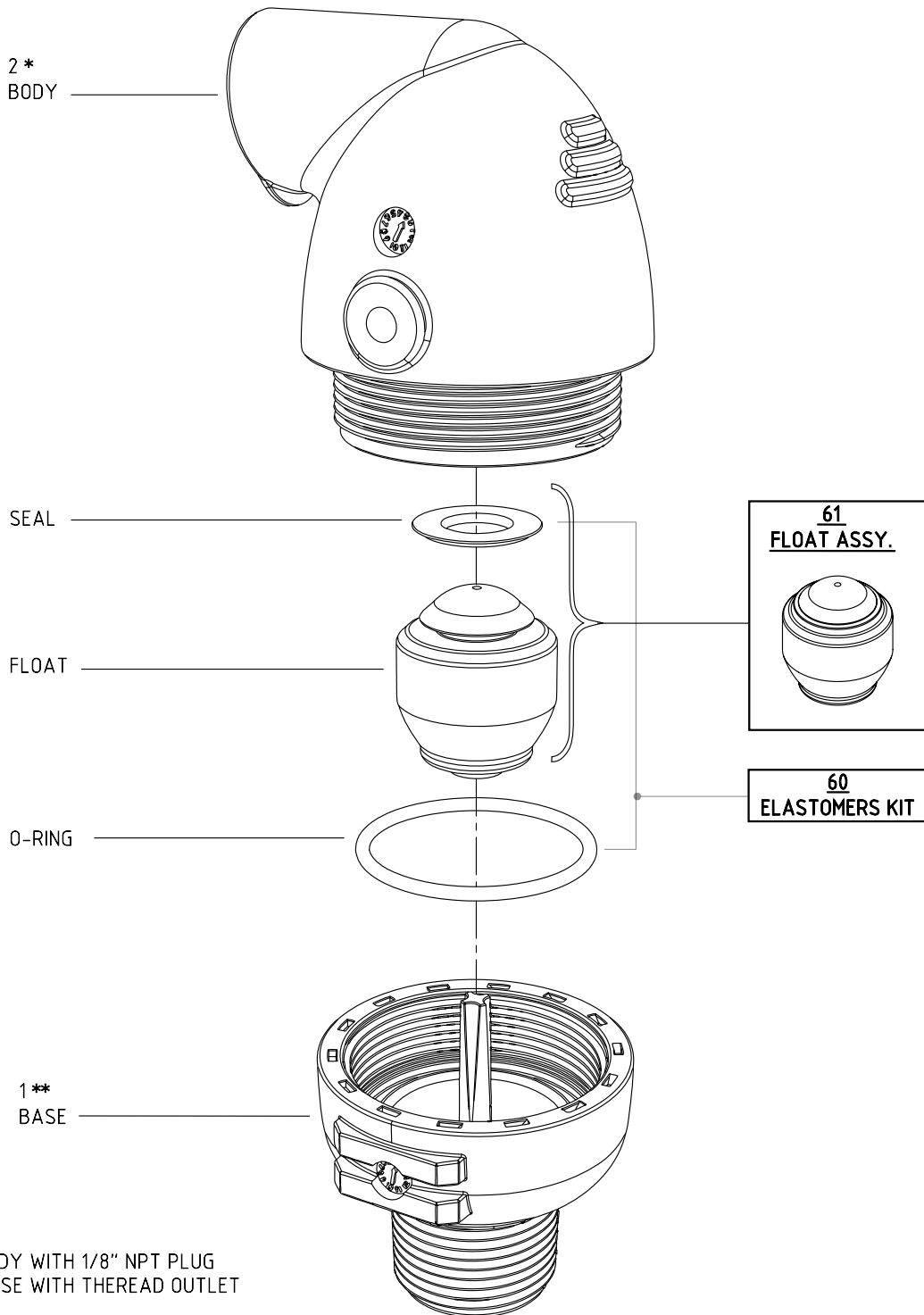
Sizes: 2-8"; DN50-200



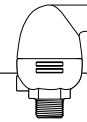


Kinetic (Air/Vacuum) Air Valve

Sizes: 3/4-1"; DN20-50

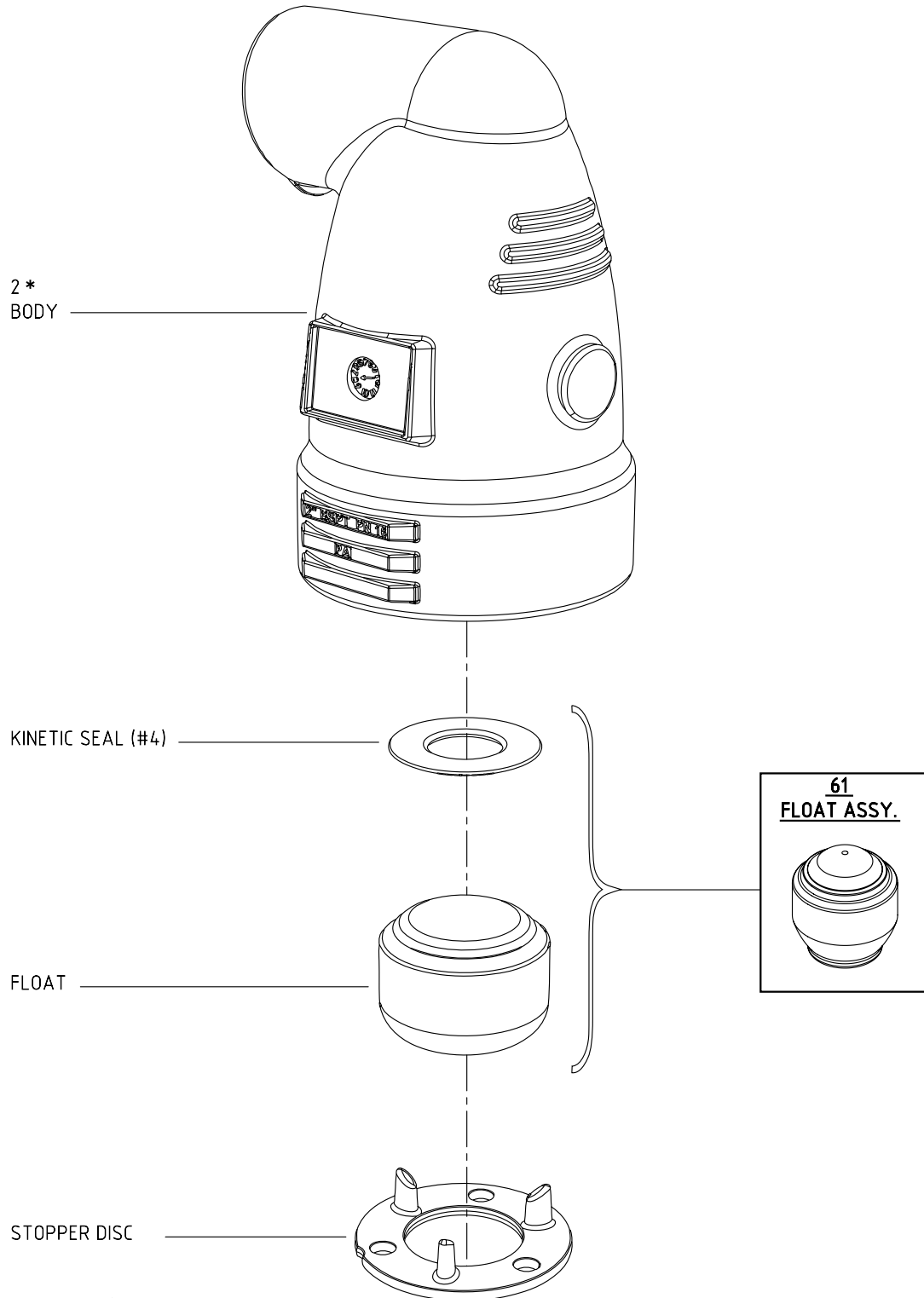


* -2a BODY WITH 1/8" NPT PLUG
** -1a BASE WITH THEREAD OUTLET

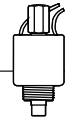


Kinetic (Air/Vacuum) Air Valve

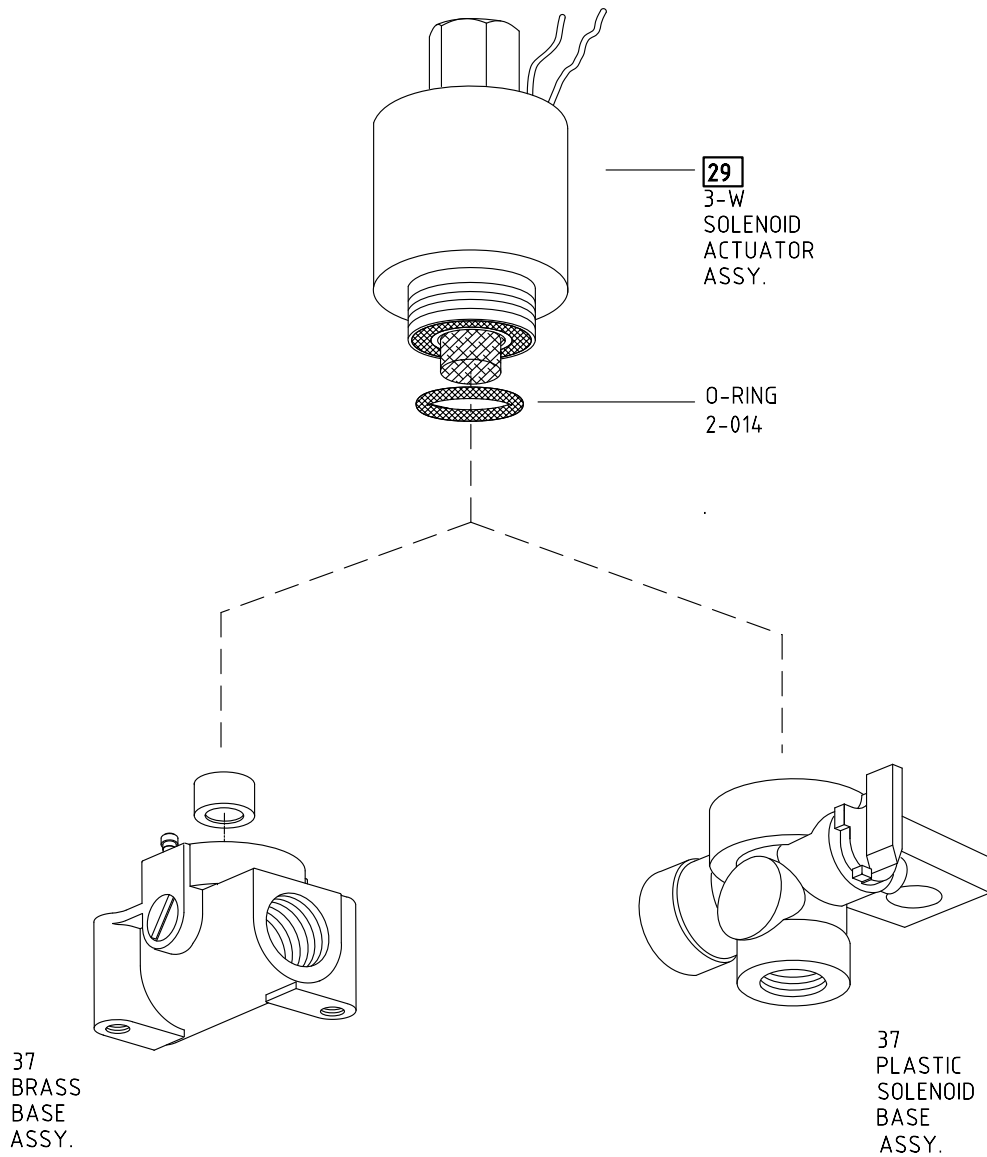
Size: 2"; DN50



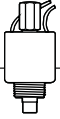
* -2a BODY WITH 1/4" NPT PLUG



S-390 3-Way Solenoid Pilot Valve

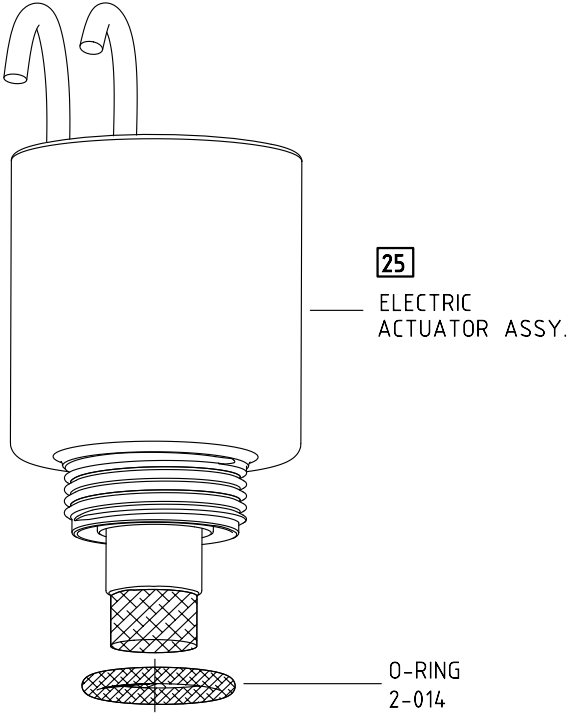


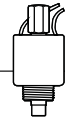
☐ - RANGE OF OPERATING VOLTAGES



S-390 2-Way Solenoid Actuator

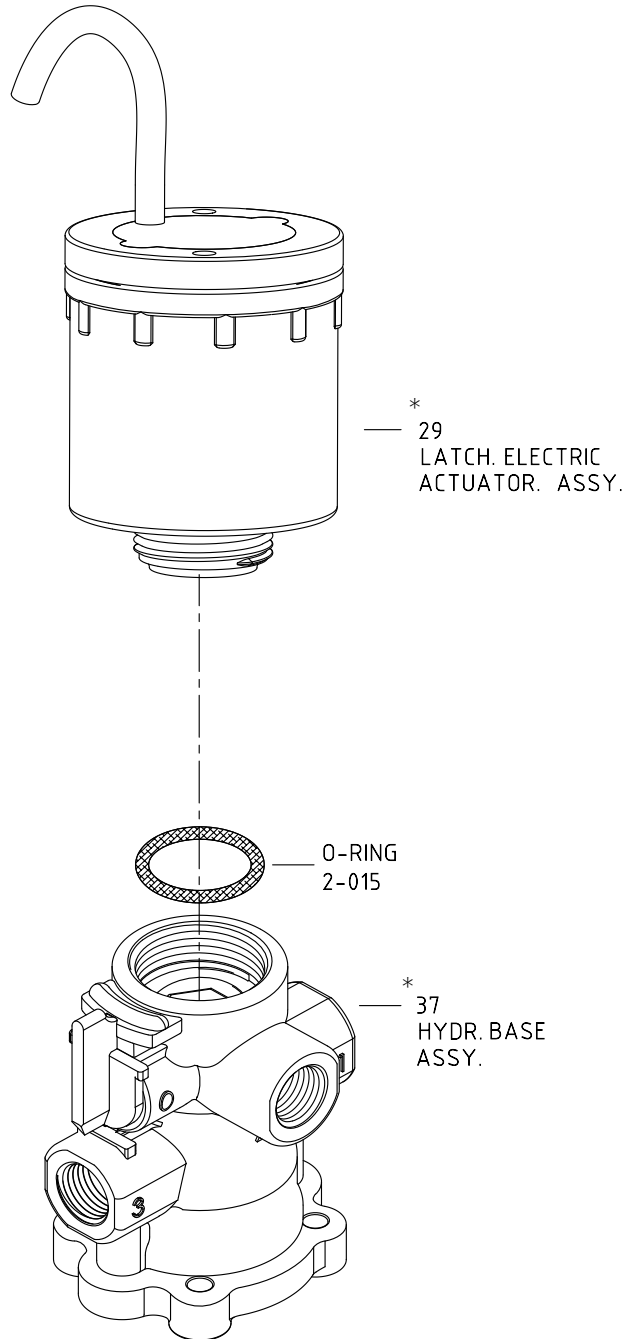
S-392 2-Way Latching Solenoid Actuator





S-982-2L 3-Way Latching Solenoid Pilot Valve-3 Connectors

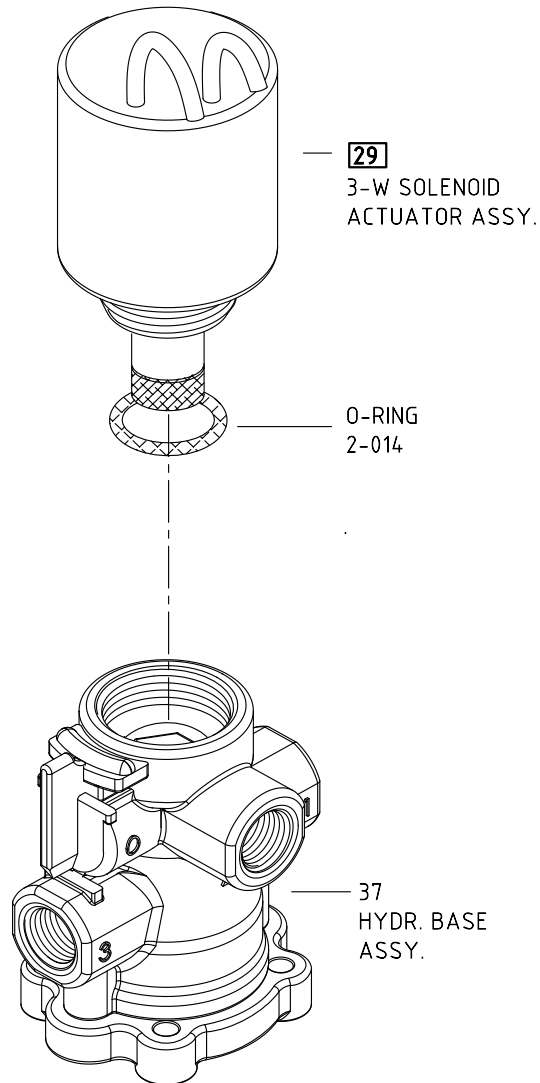
S-985-3L 3-Way Latching Solenoid Pilot Valve-2 Connectors



* BRASS BASE OR PLASTIC BASE

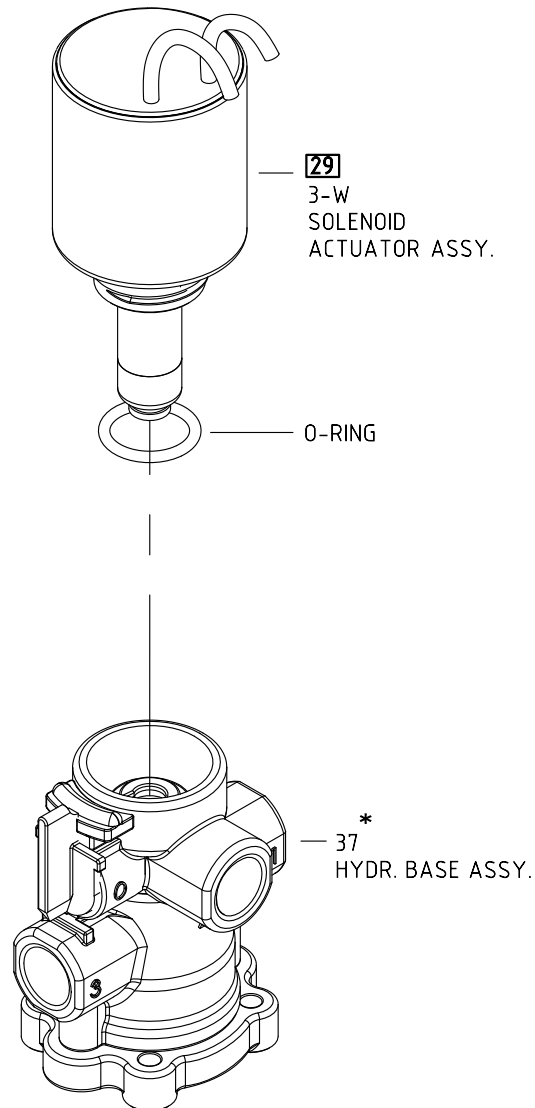


S-400 3-Way Solenoid Pilot Valve





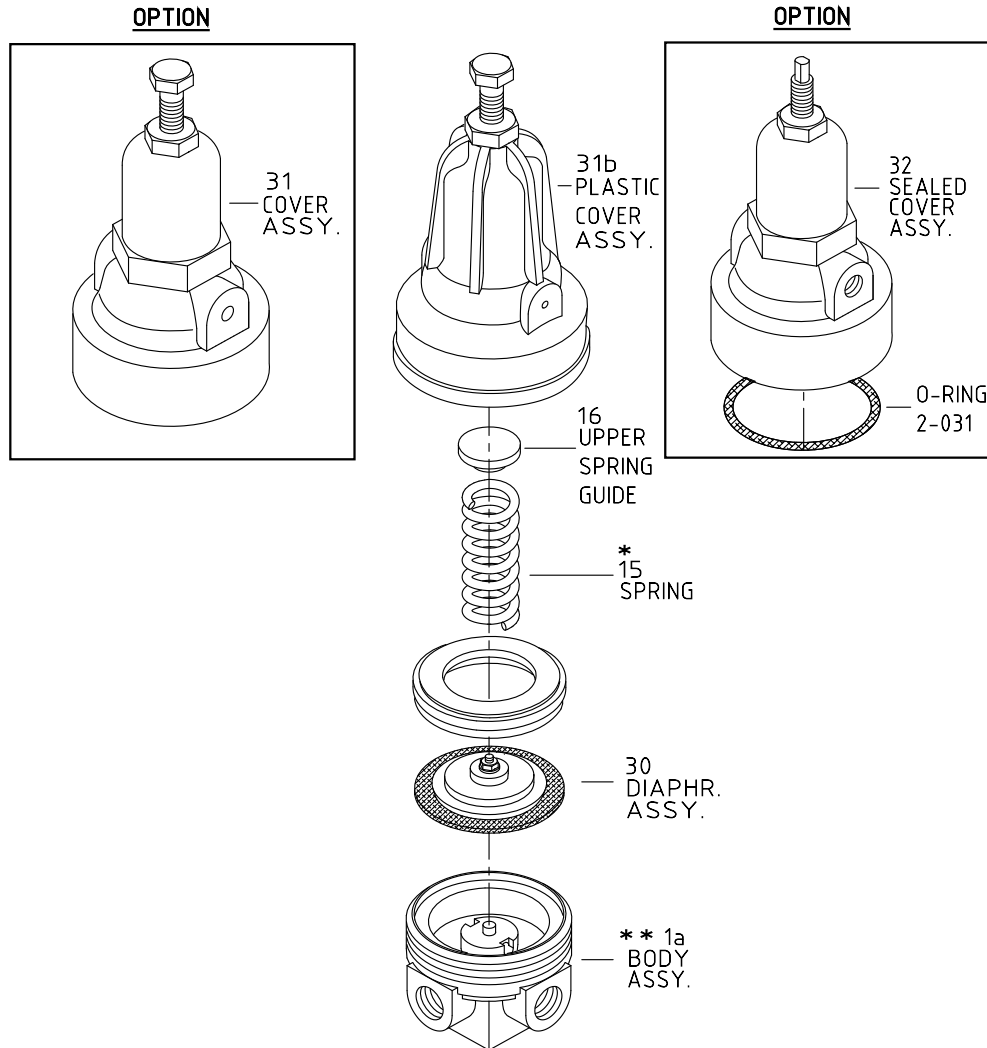
S-402 3-Way Latching Solenoid Pilot Valve



- * - BRASS BASE OR PLASTIC BASE
- - RANGE OF OPERATING VOLTAGES



PC-20 Metal 2-Way Pressure Reducing Mini Pilot Valve



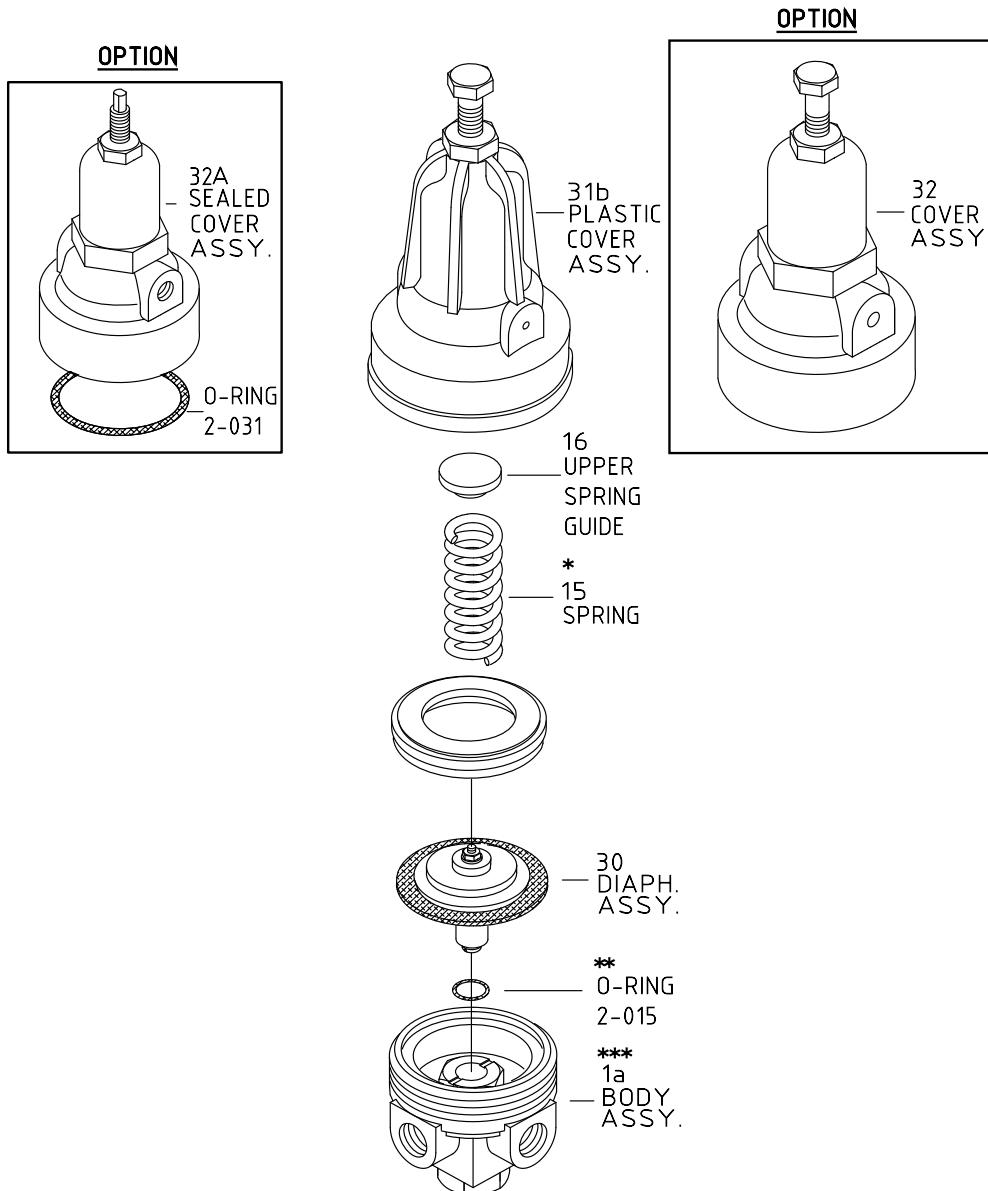
* - DIFFERENT SPRING

** OPTION- OVERHAUL IN BERMAD



PC-30 Metal 2-Way Pressure Sustaining Mini Pilot Valve

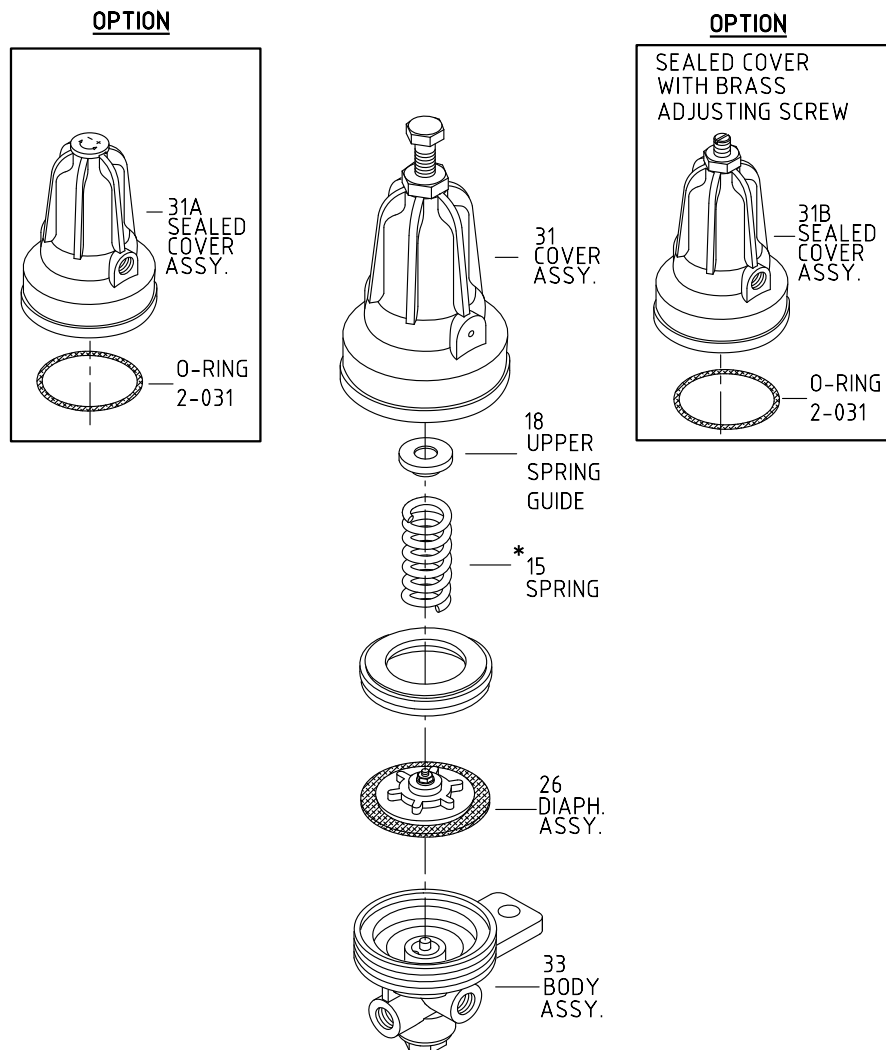
PC-3Q Metal 2-Way Quick Relief Mini Pilot Valve



- * - DIFFERENT SPRING
- ** - FOR SUSTAINING PILOT ONLY
- *** - OPTION-OVERHAUL IN BERMAD



PC-20 Plastic 2-Way Pressure Reducing Mini Pilot Valve

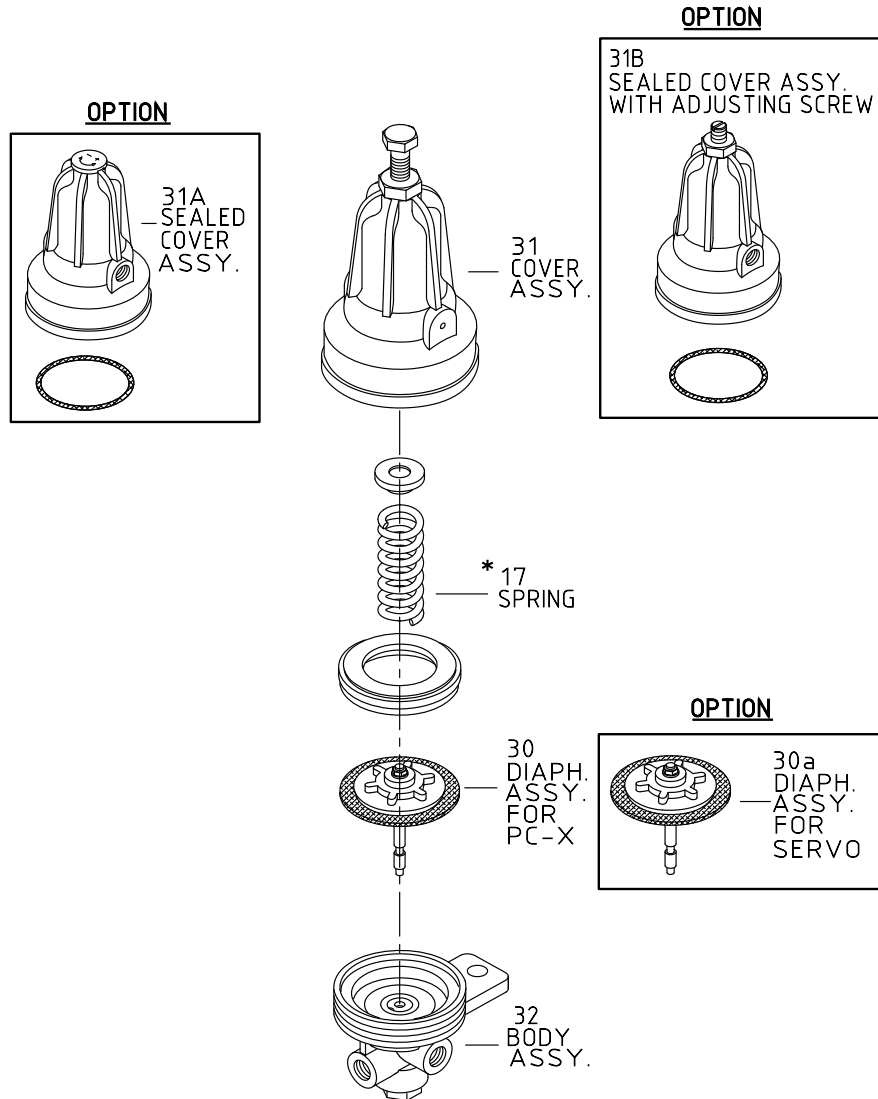


* - DIFFERENT SPRINGS



PC-X Plastic 3-Way Multi Purpose Mini Pilot Valve

PC-S Plastic 3/2 Servo Mini Pilot Valve

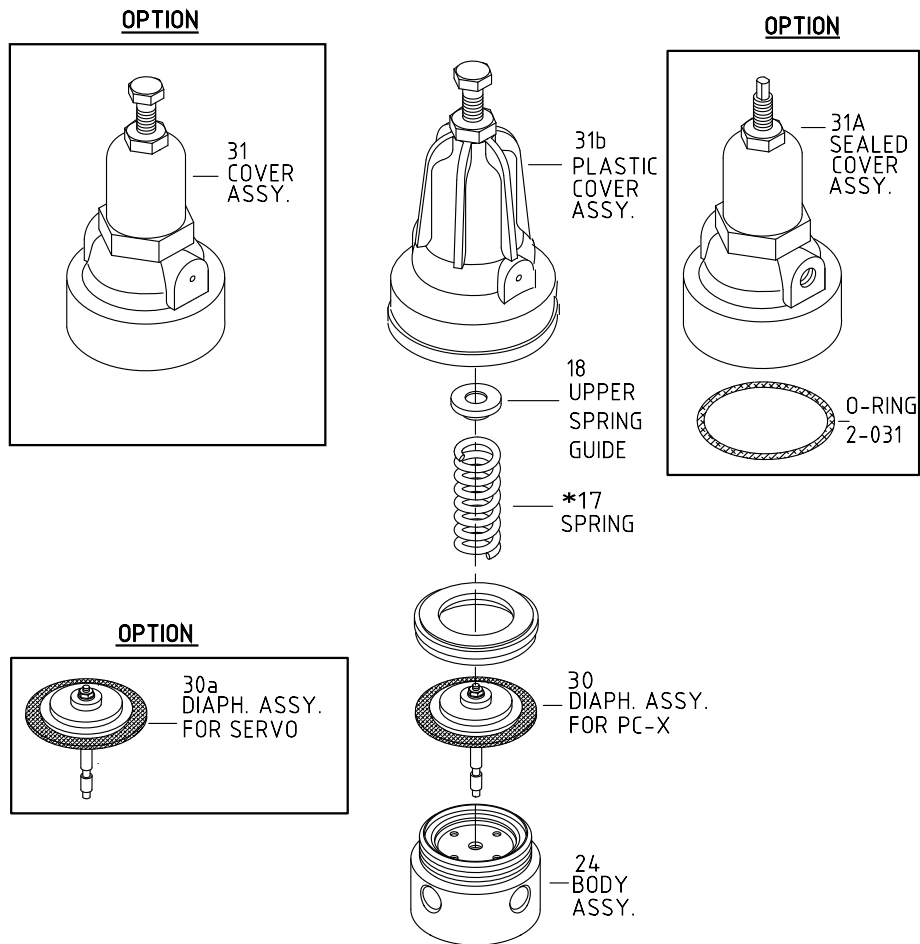


* DIFFERENT SPRING



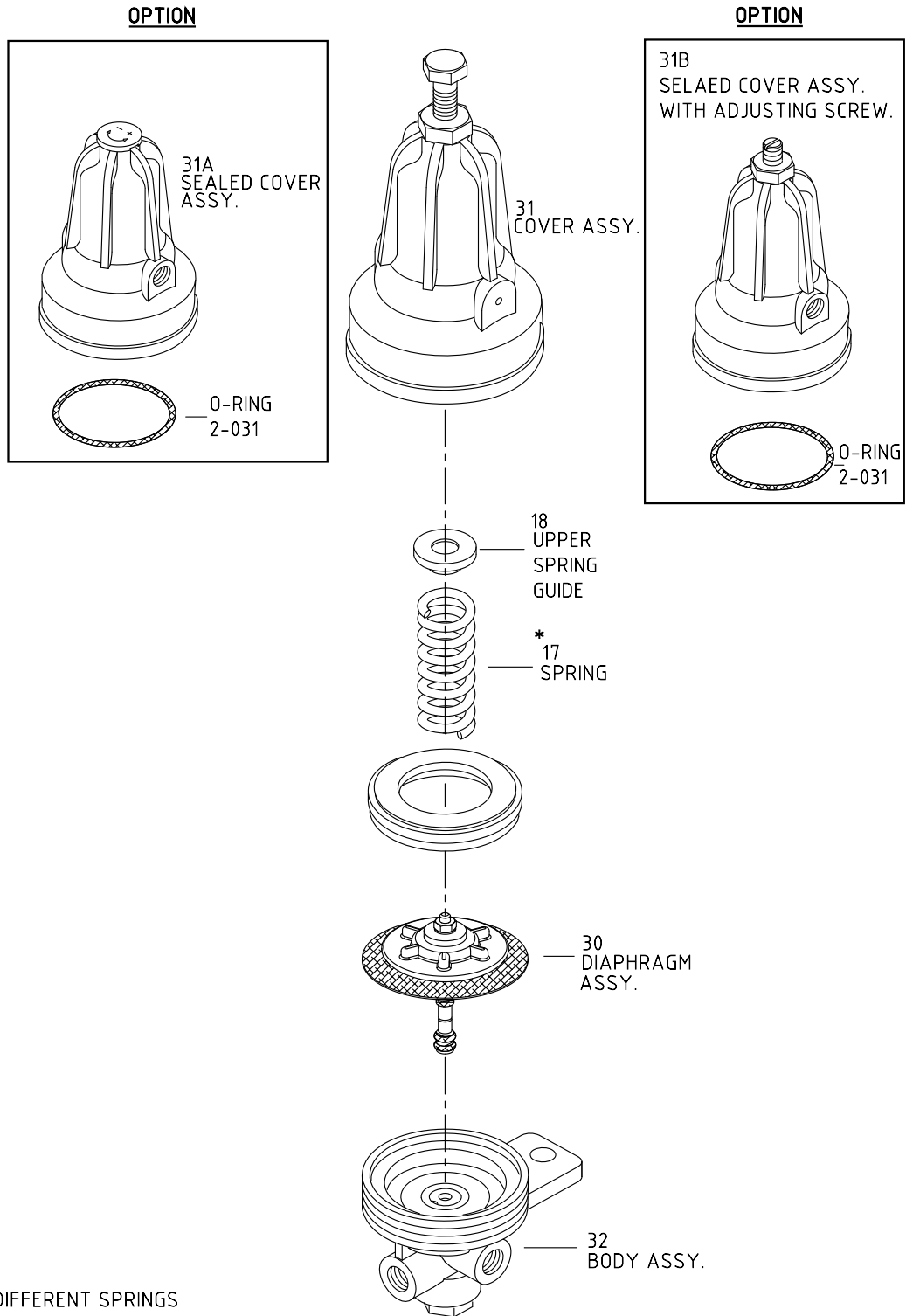
PC-X Metal 3-Way Multi Purpose Mini Pilot Valve

PC-S Metal 3/2 Servo Mini Pilot Valve



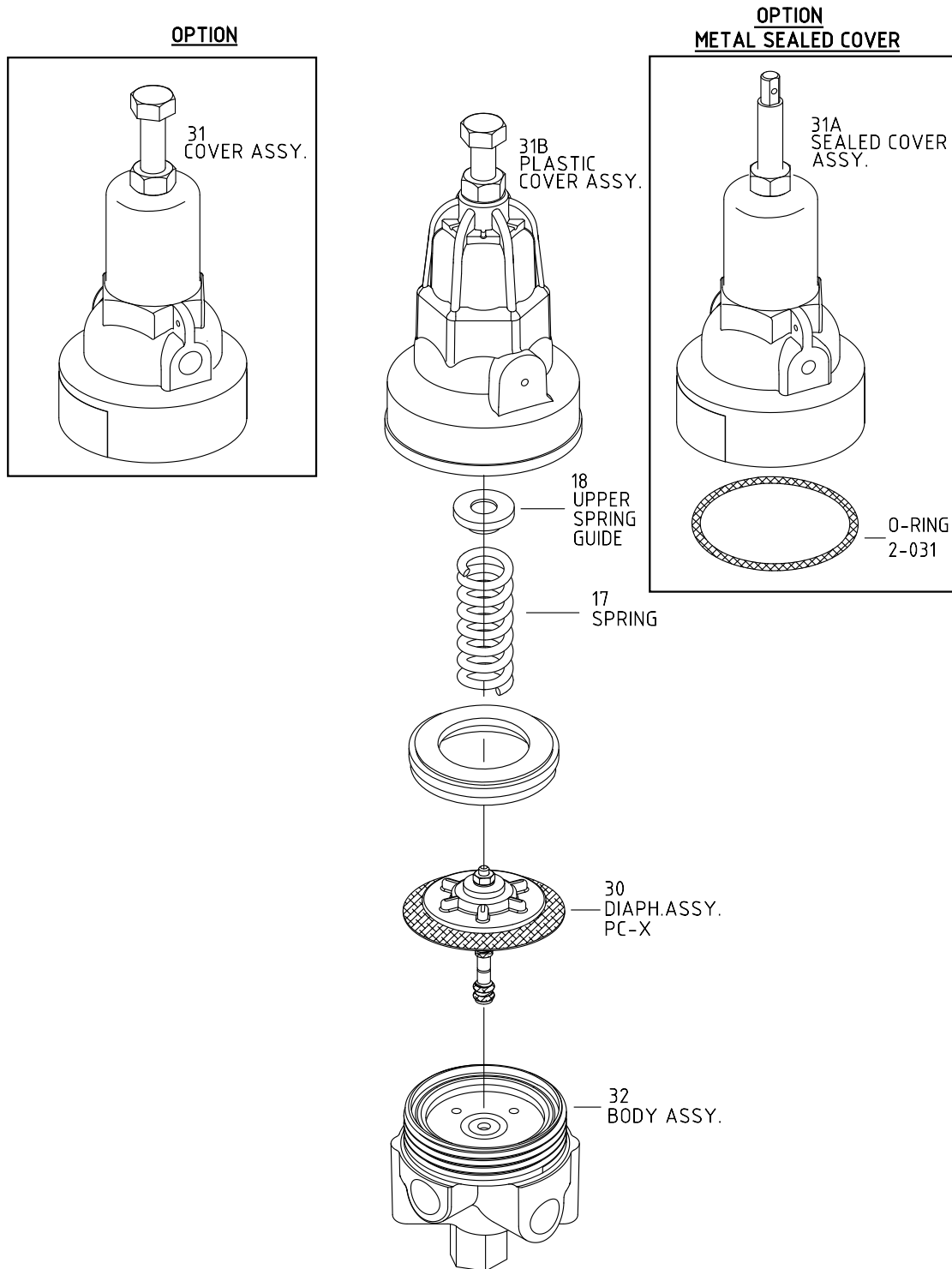


PC-Sharp-X Plastic 3-Way Multi Purpose Mini Pilot Valve





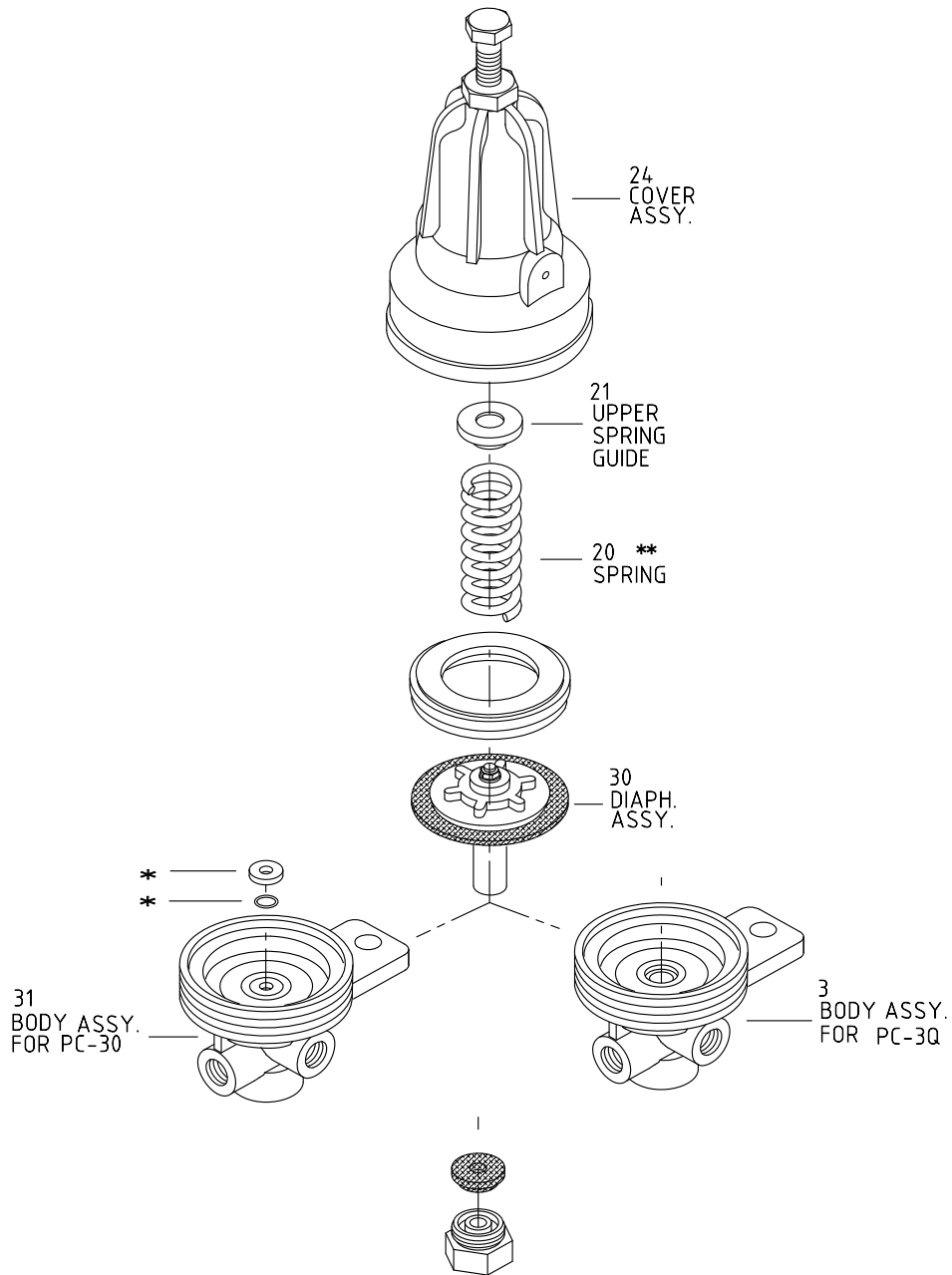
PC-Sharp-X Metal 3-Way Multi Purpose Mini Pilot Valve





PC-30 Plastic 2-Way Pressure Sustaining Mini Pilot Valve

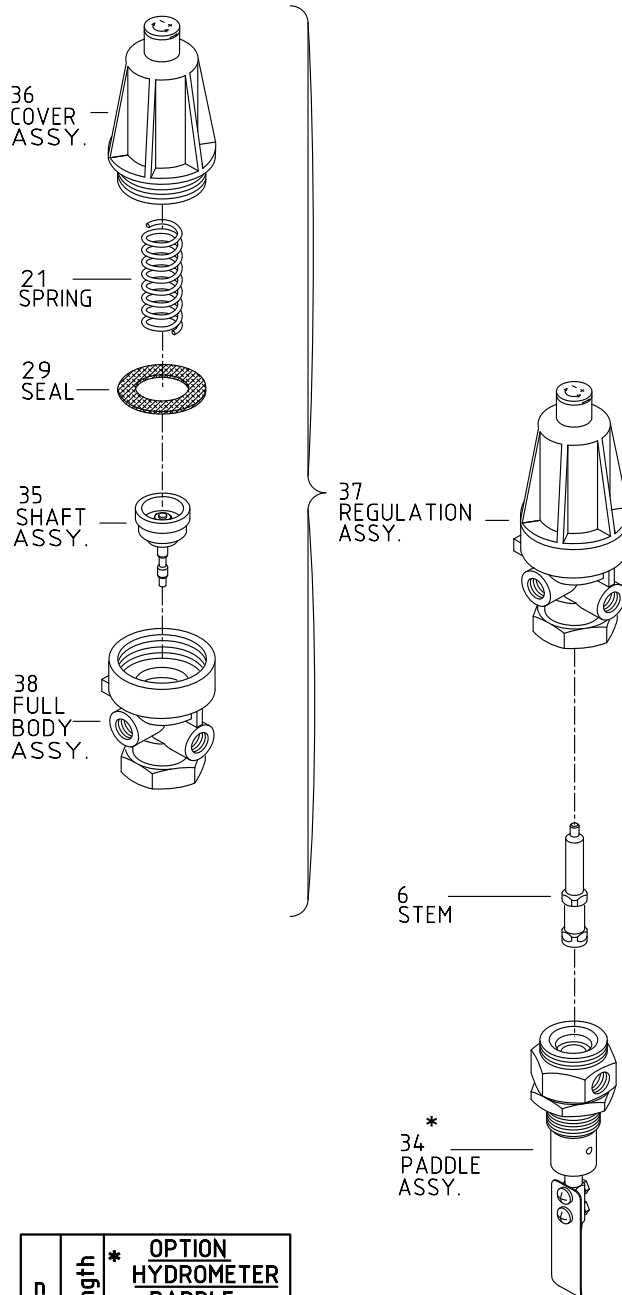
PC-3Q Plastic 2-Way Pressure Relief Mini Pilot Valve



* - FOR SUSTAINING PILOT ONLY
** - DIFFERENT SPRINGS



PC-70 Paddle Flow Rate Servo Mini-Pilot, Plastic



n	length	* OPTION HYDROMETER PADDLE
2"	35	
3"	50	
4"	65	
6"	80	
8"	95	
10"	110	

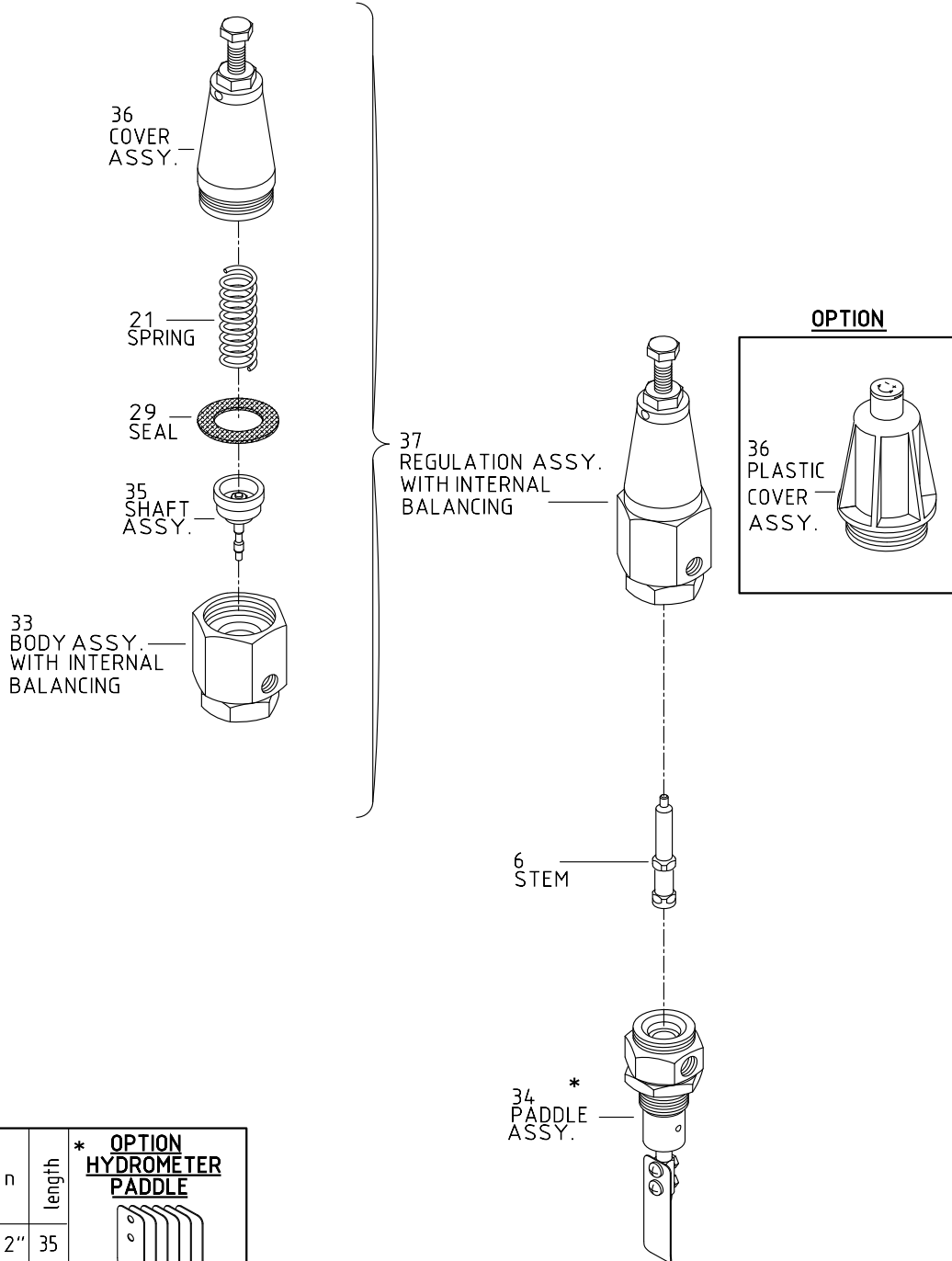


BERMAD IR Spare Parts

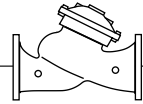


PC Series

PC-70 Paddle Flow Rate Servo Mini-Pilot, Metal

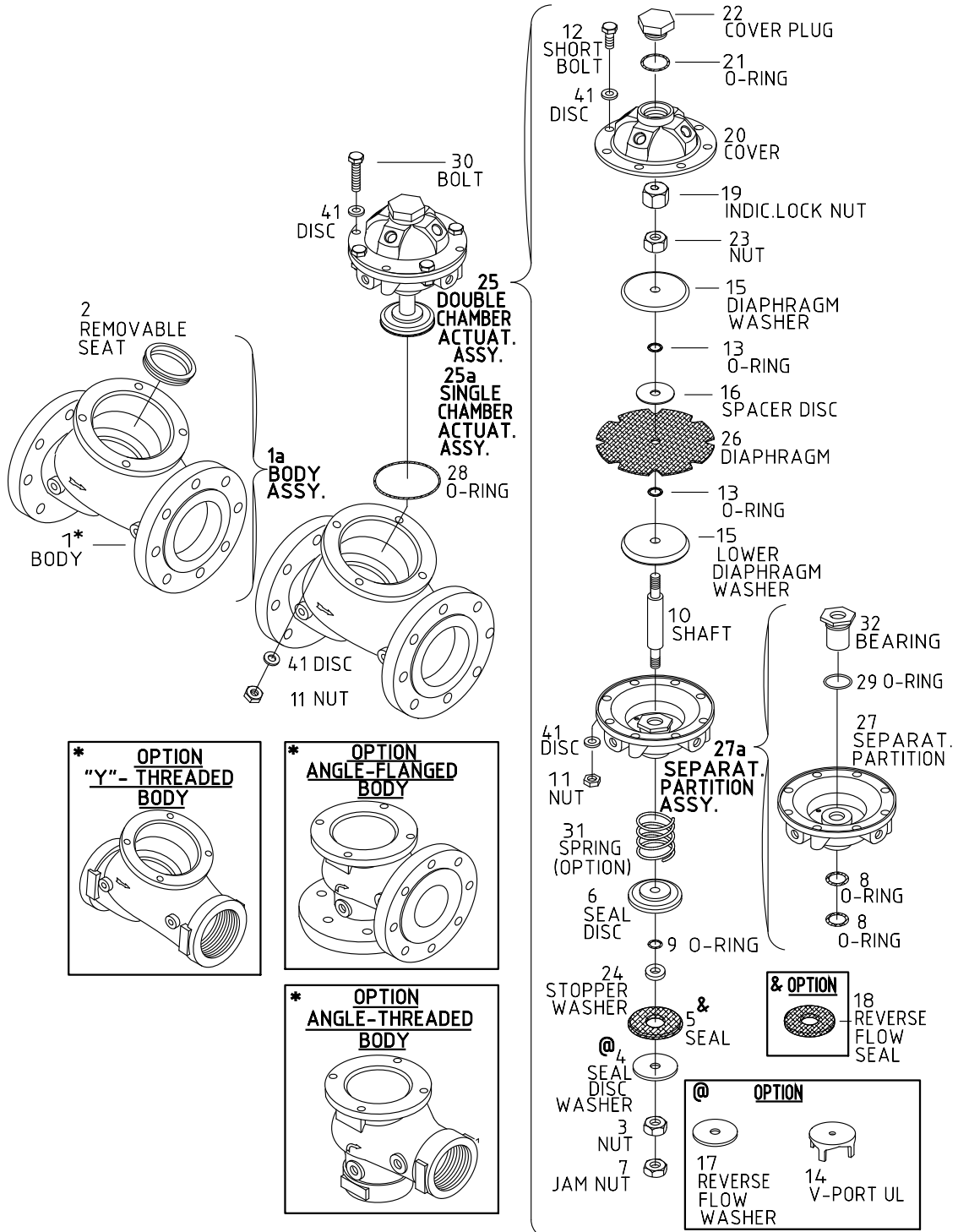


n	length	* OPTION HYDROMETER PADDLE
2"	35	
3"	50	
4"	65	
6"	80	
8"	95	
10"	110	



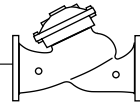
Diaphragm Actuated Basic Control Valves

Sizes: 1½-2½"; DN40-65





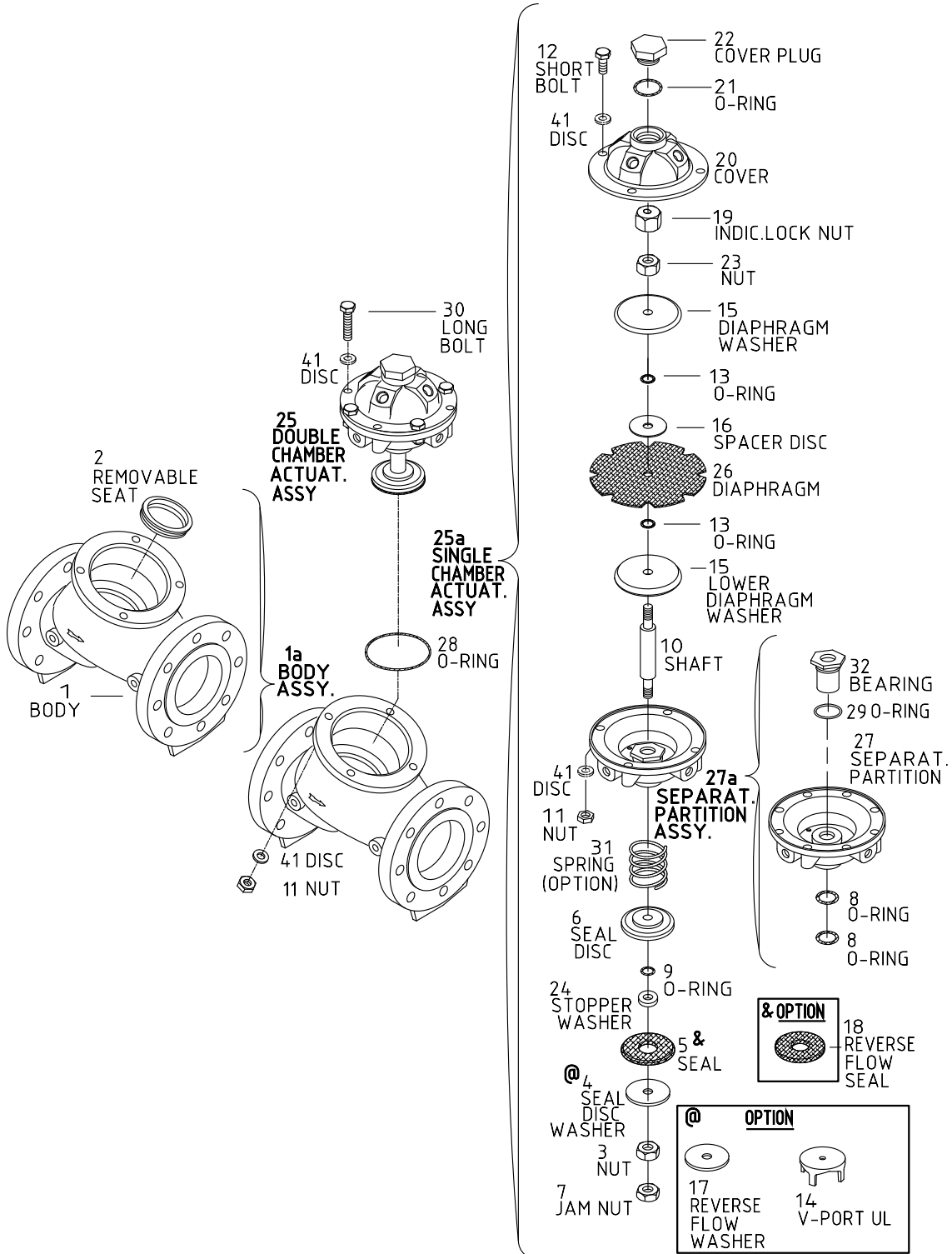
BERMAD IR Spare Parts



700 EN Series

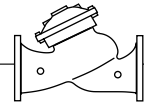
Diaphragm Actuated Basic Control Valves

Size: 2", DN50





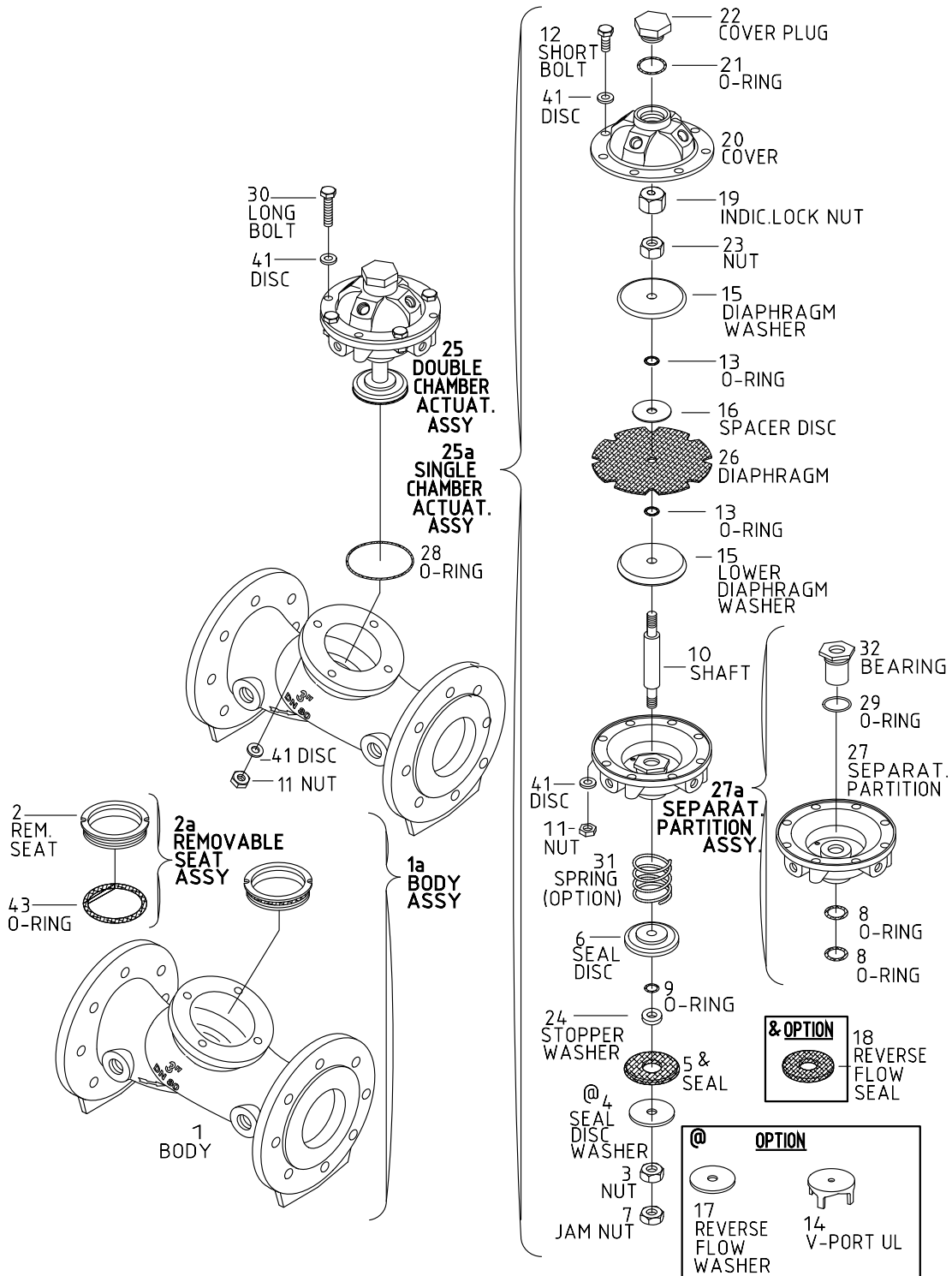
BERMAD IR Spare Parts

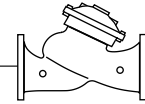


700 ES Series

Diaphragm Actuated Basic Control Valves

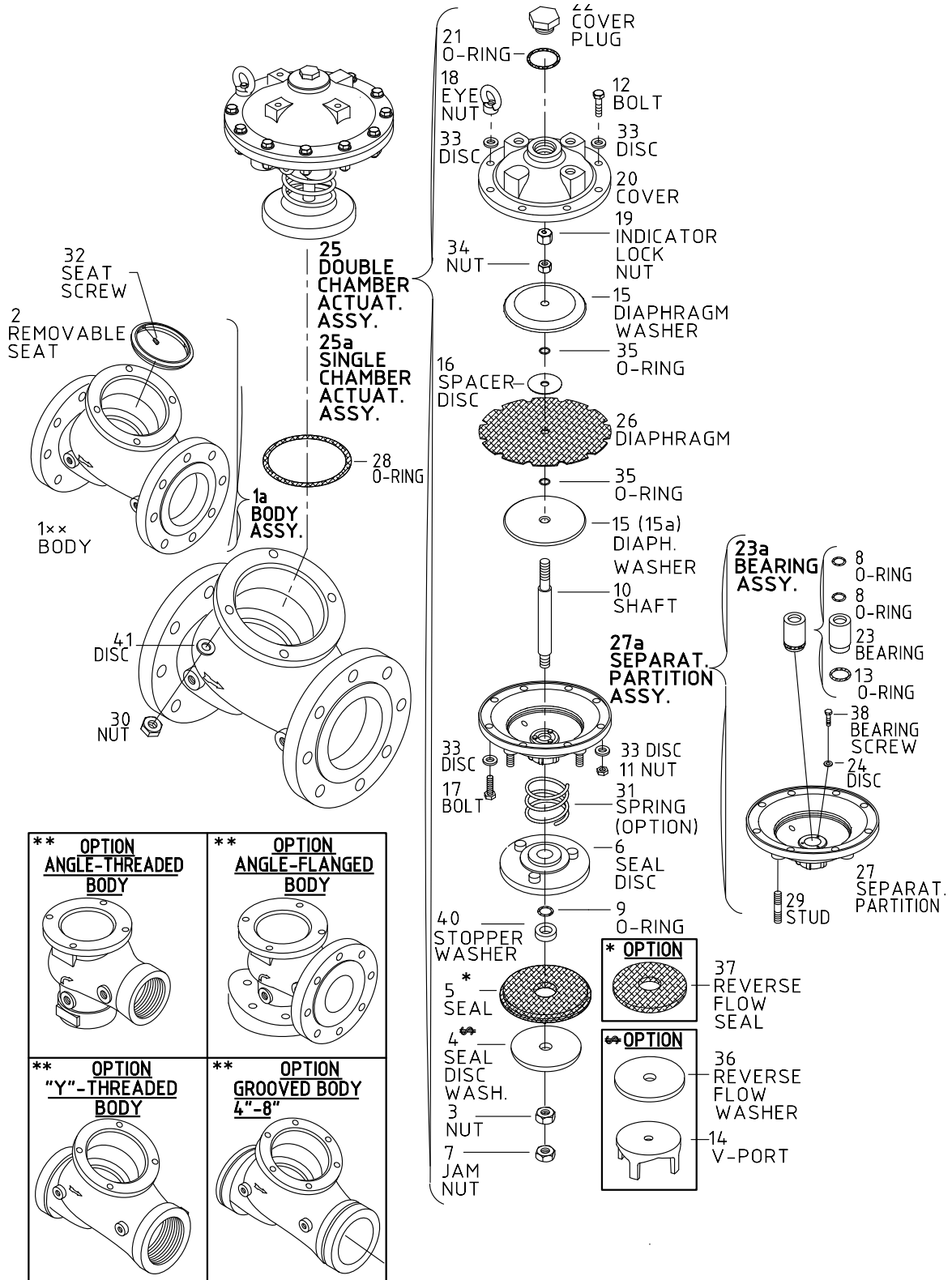
Sizes: 1½-3"; DN40-80





Diaphragm Actuated Basic Control Valves

Sizes: 3"; DN80

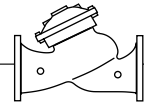


<p>** OPTION ANGLE-THREADED BODY</p>	<p>** OPTION ANGLE-FLANGED BODY</p>
<p>** OPTION "Y"-THREADED BODY</p>	<p>** OPTION GROOVED BODY 4"-8"</p>

* - PART NO. 5 ASSEMBLED WITH PART NO. 40



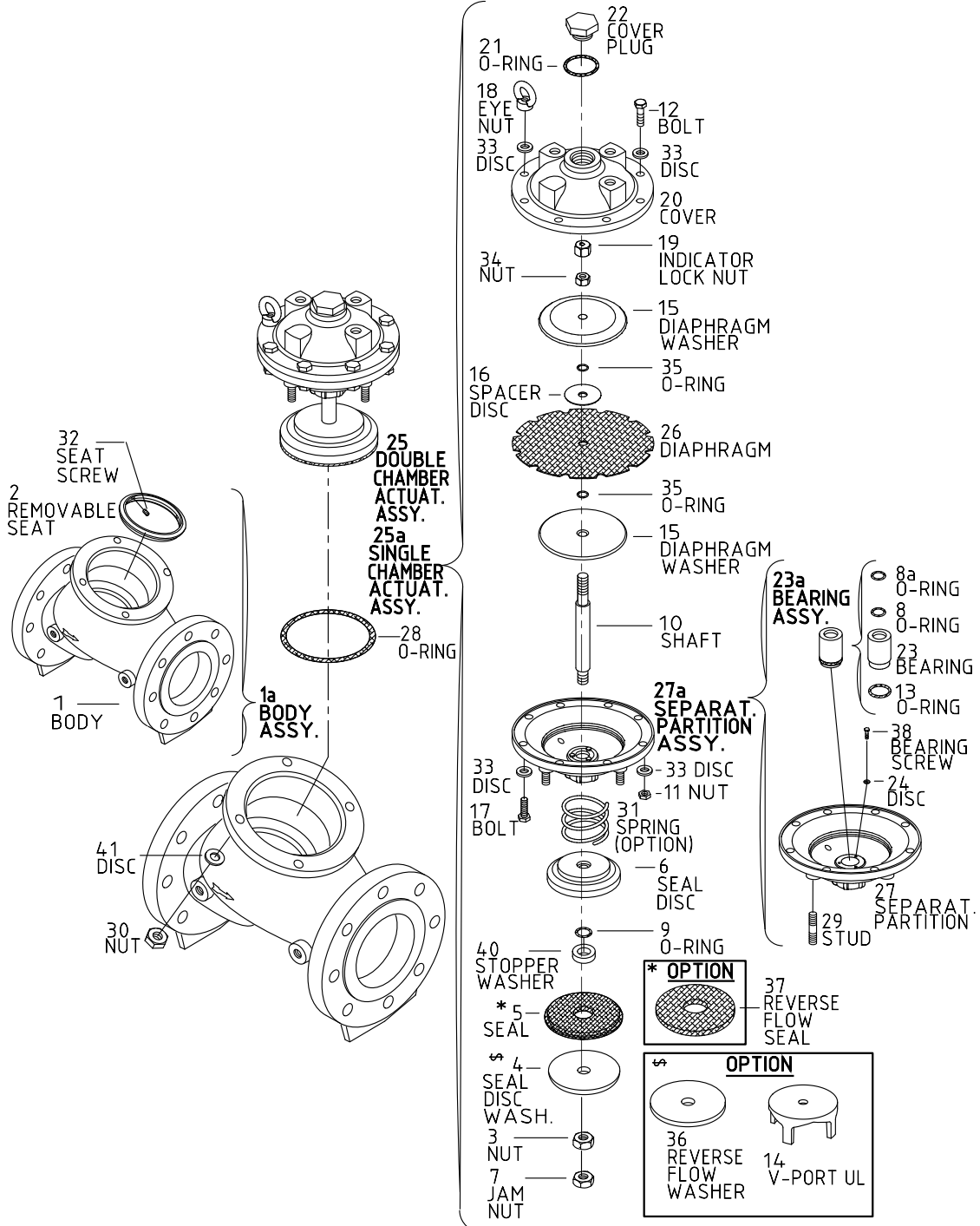
BERMAD IR Spare Parts



700 EN Series

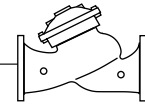
Diaphragm Actuated Basic Control Valves

Size: 3"; DN80





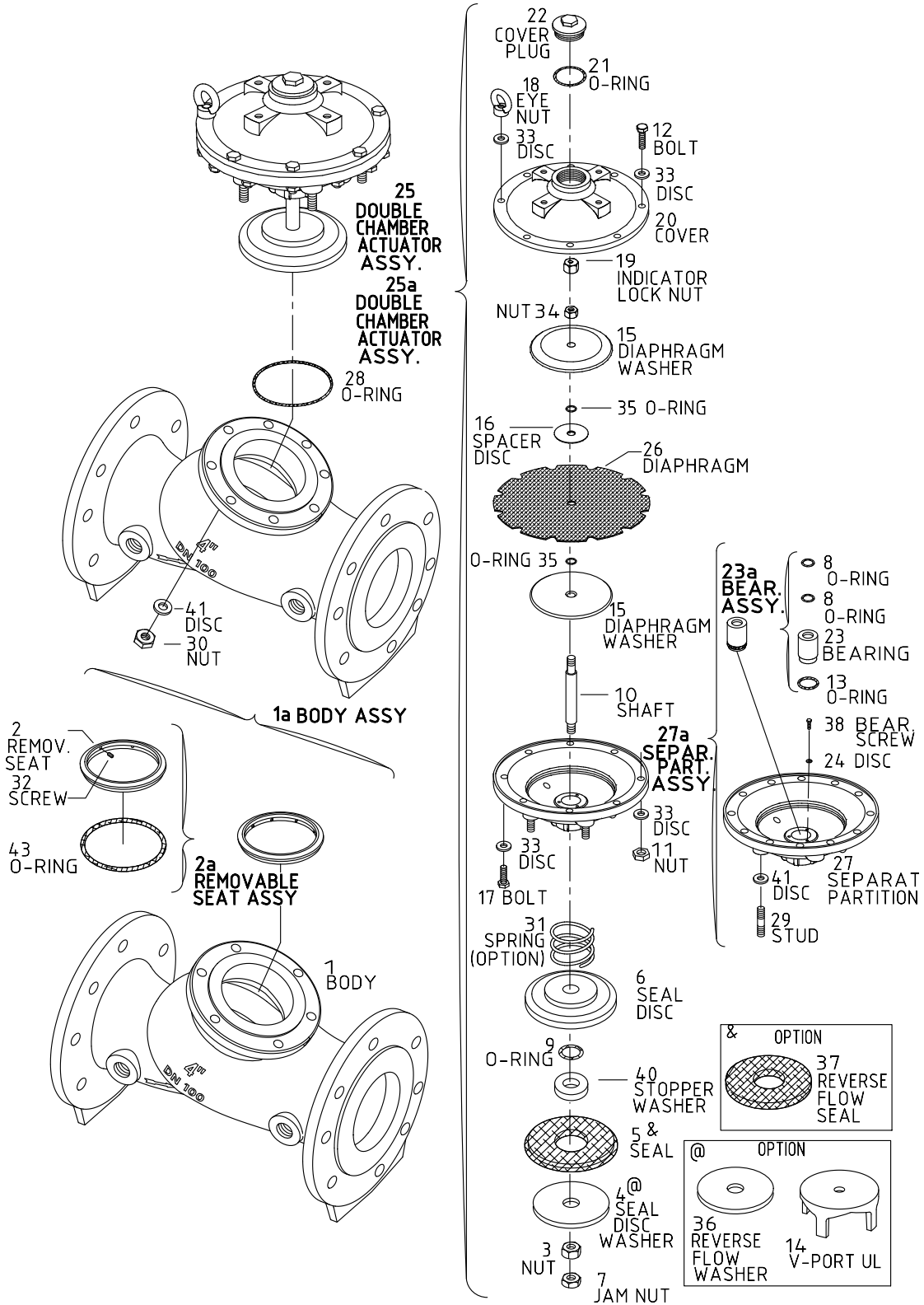
BERMAD IR Spare Parts

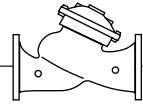


700 ES Series

Diaphragm Actuated Basic Control Valves

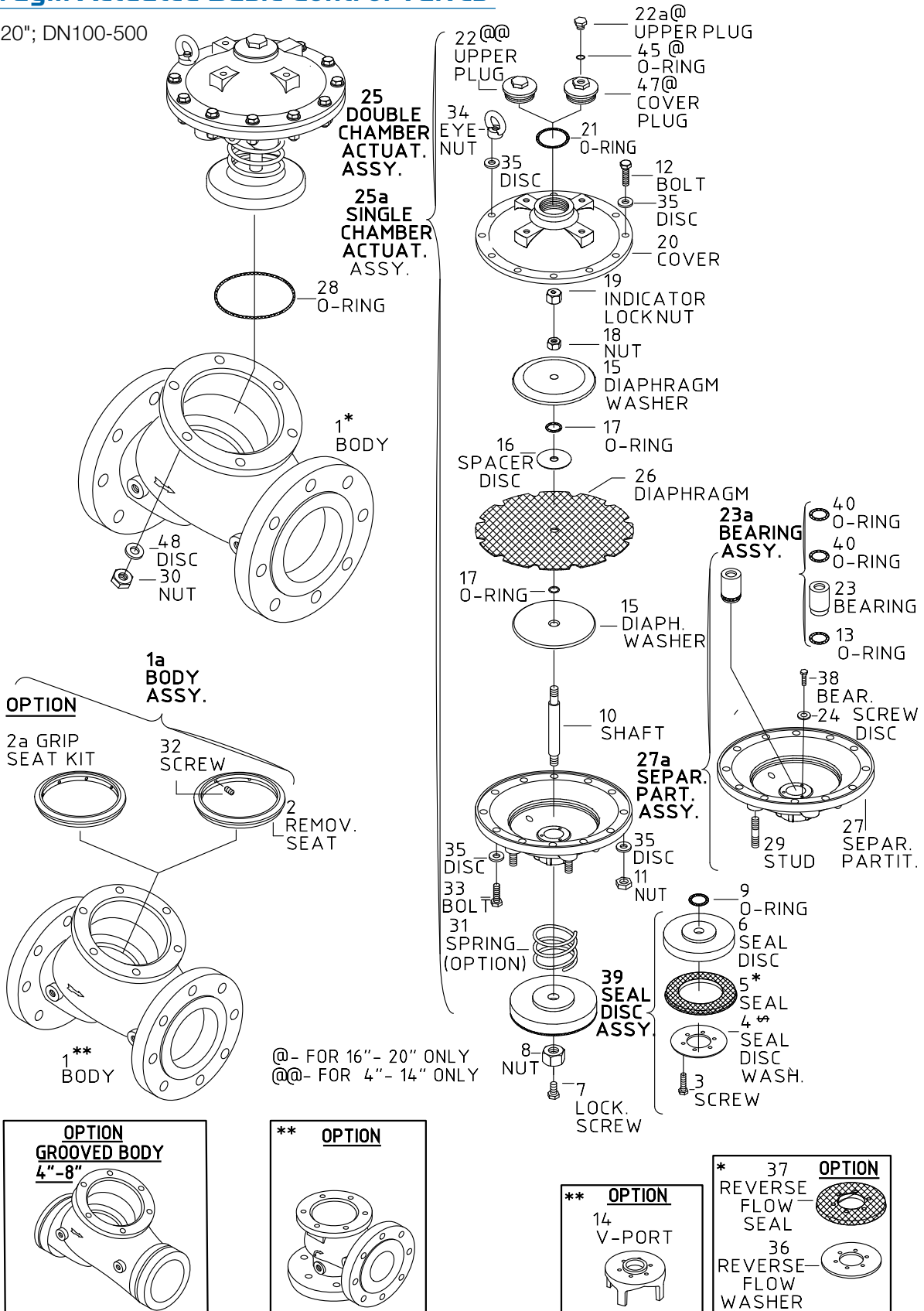
Size: 4"; DN100





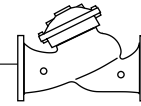
Diaphragm Actuated Basic Control Valves

Sizes: 4-20"; DN100-500





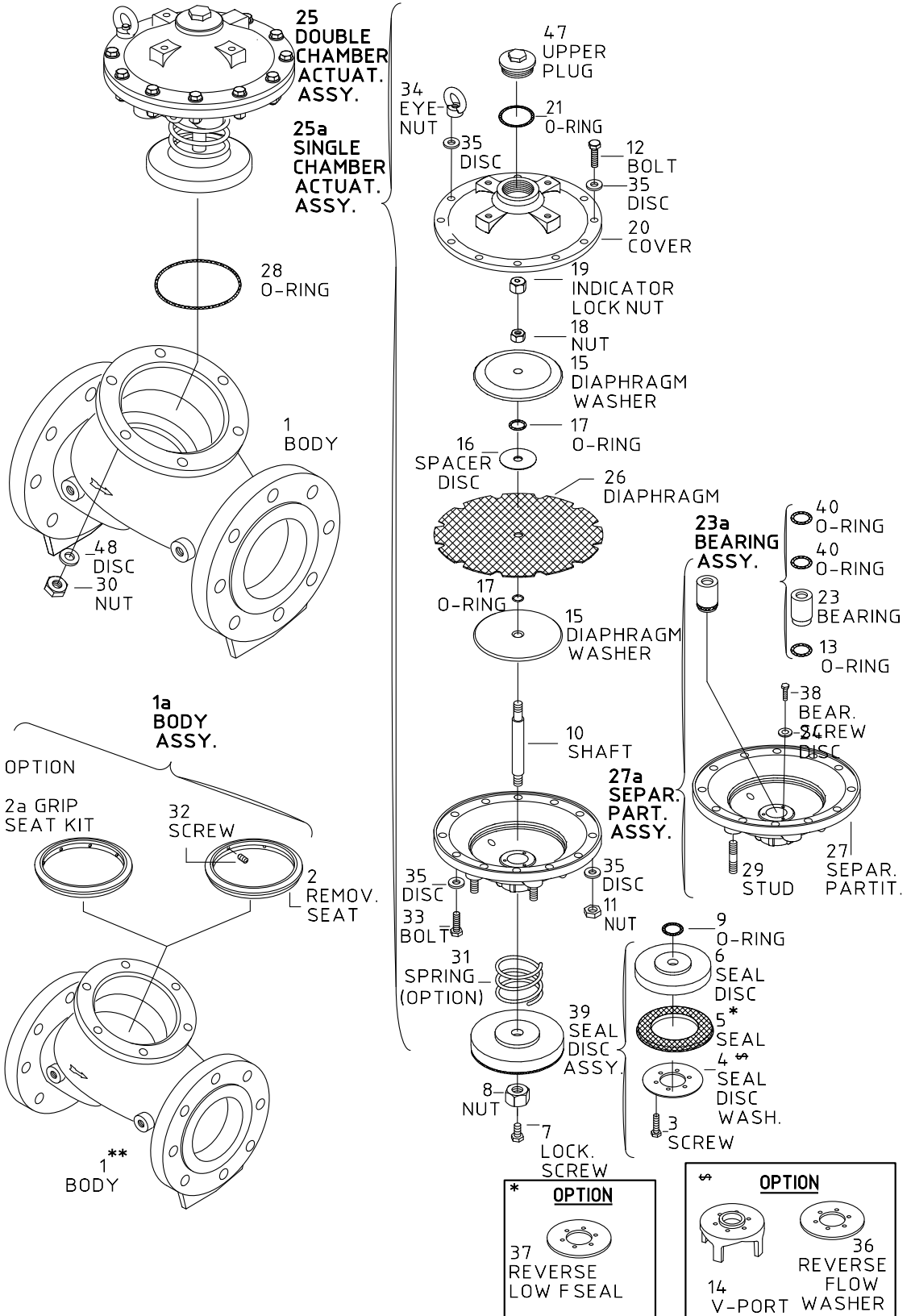
BERMAD IR Spare Parts



700 EN Series

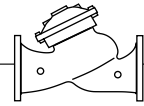
Diaphragm Actuated Basic Control Valves

Sizes: 4-12"; DN100-300





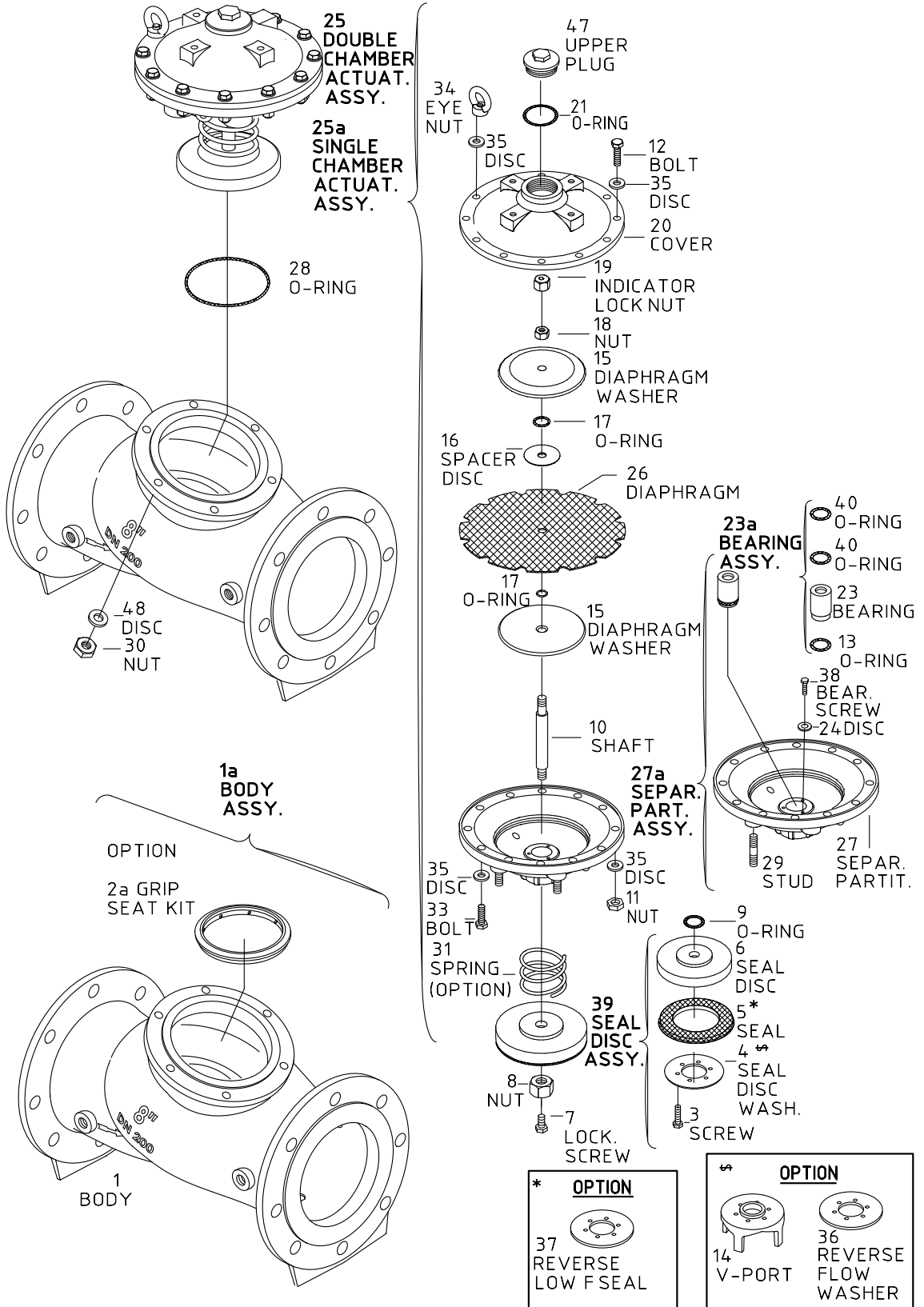
BERMAD IR Spare Parts



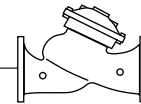
700 ES Series

Diaphragm Actuated Basic Control Valves

Sizes: 5-24"; DN150-500

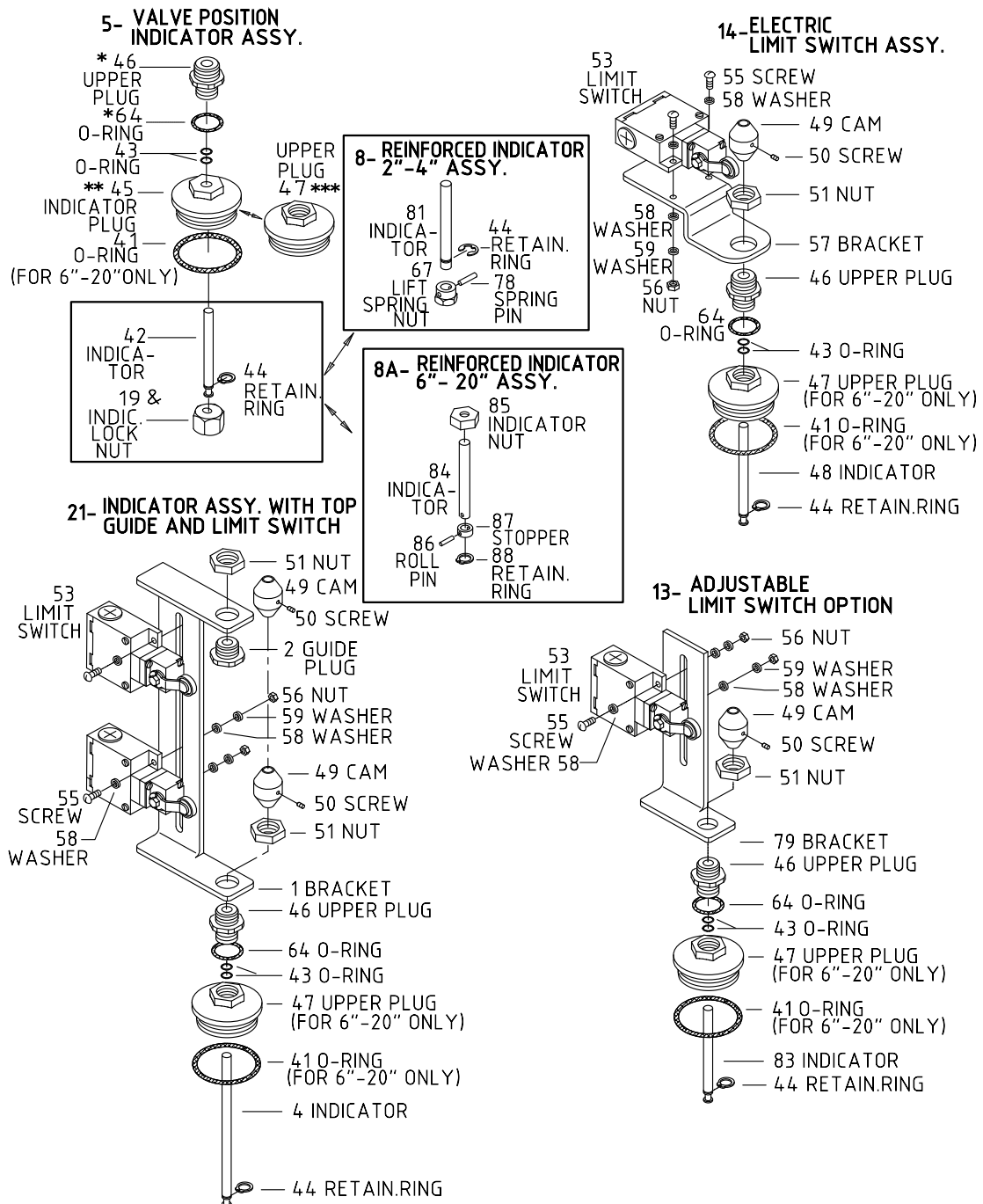


40-ES

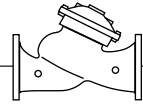


Main Valves-Indicator Options

Sizes: 1½"-20"; DN40-500

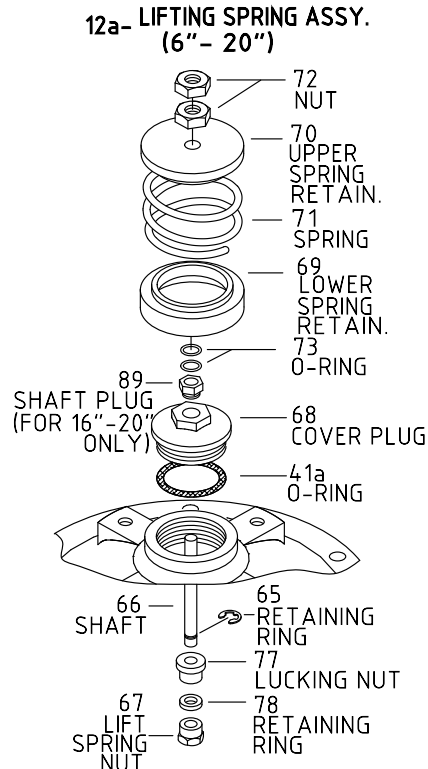
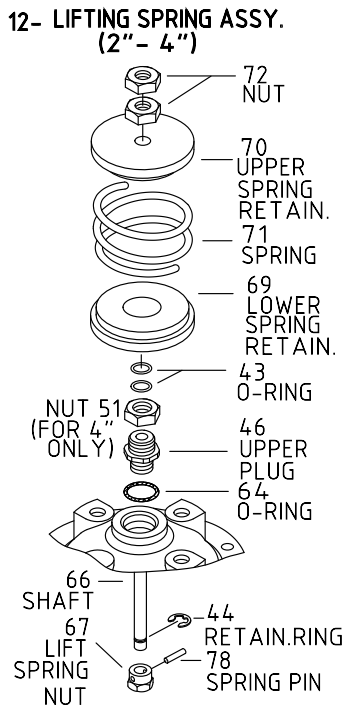
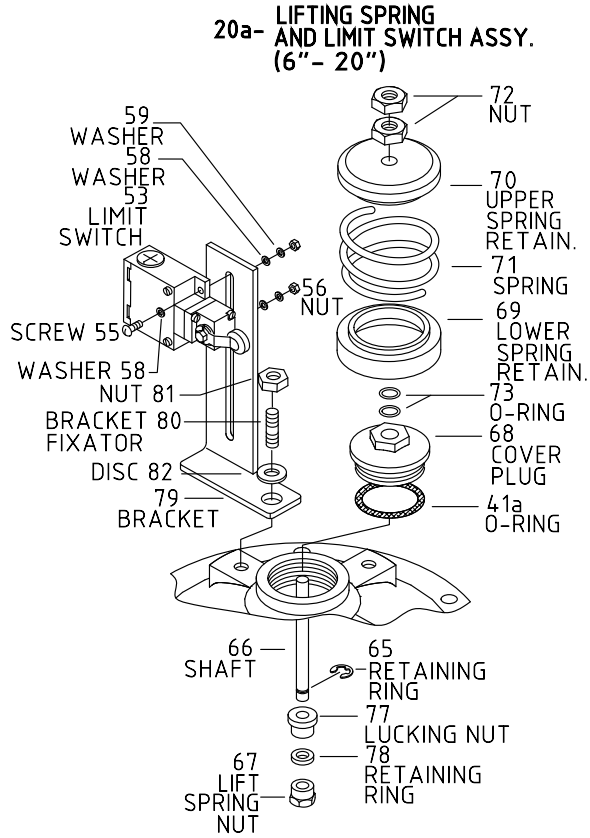
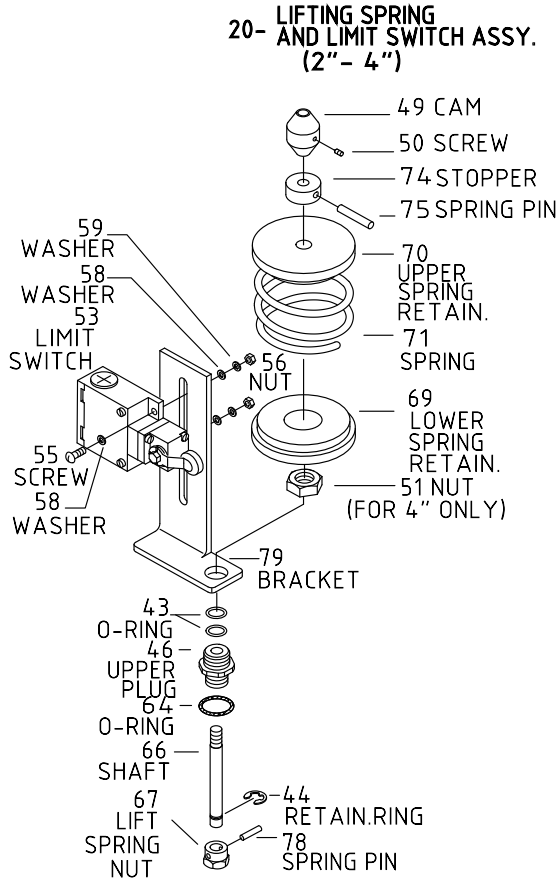


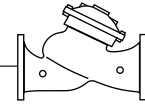
* - FOR 2"- 4" AND 16"-20" ONLY
 ** - FOR 6"- 12" ONLY
 *** - FOR 16"- 20" ONLY
 & - SEE PAGE 38-40



Main Valves-Lift Spring Options

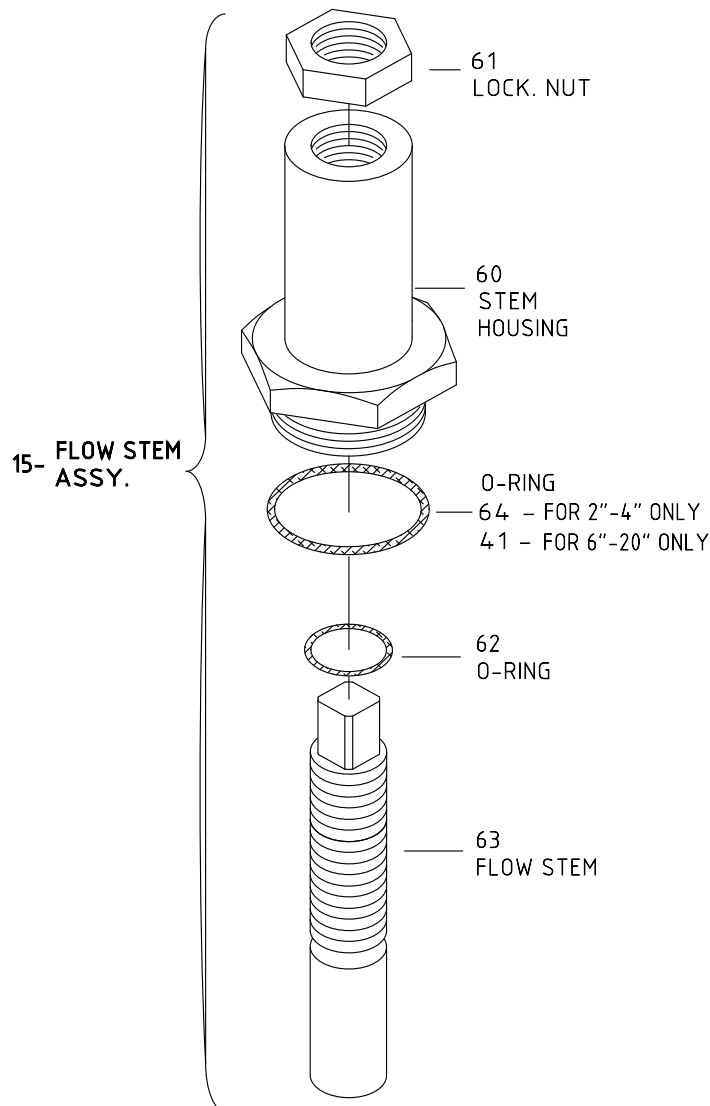
Sizes: 1½"-20"; DN40-500





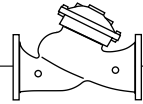
Main Valves-Flow Stem Options

Sizes: 1½-20"; DN40-500





BERMAD IR Spare Parts

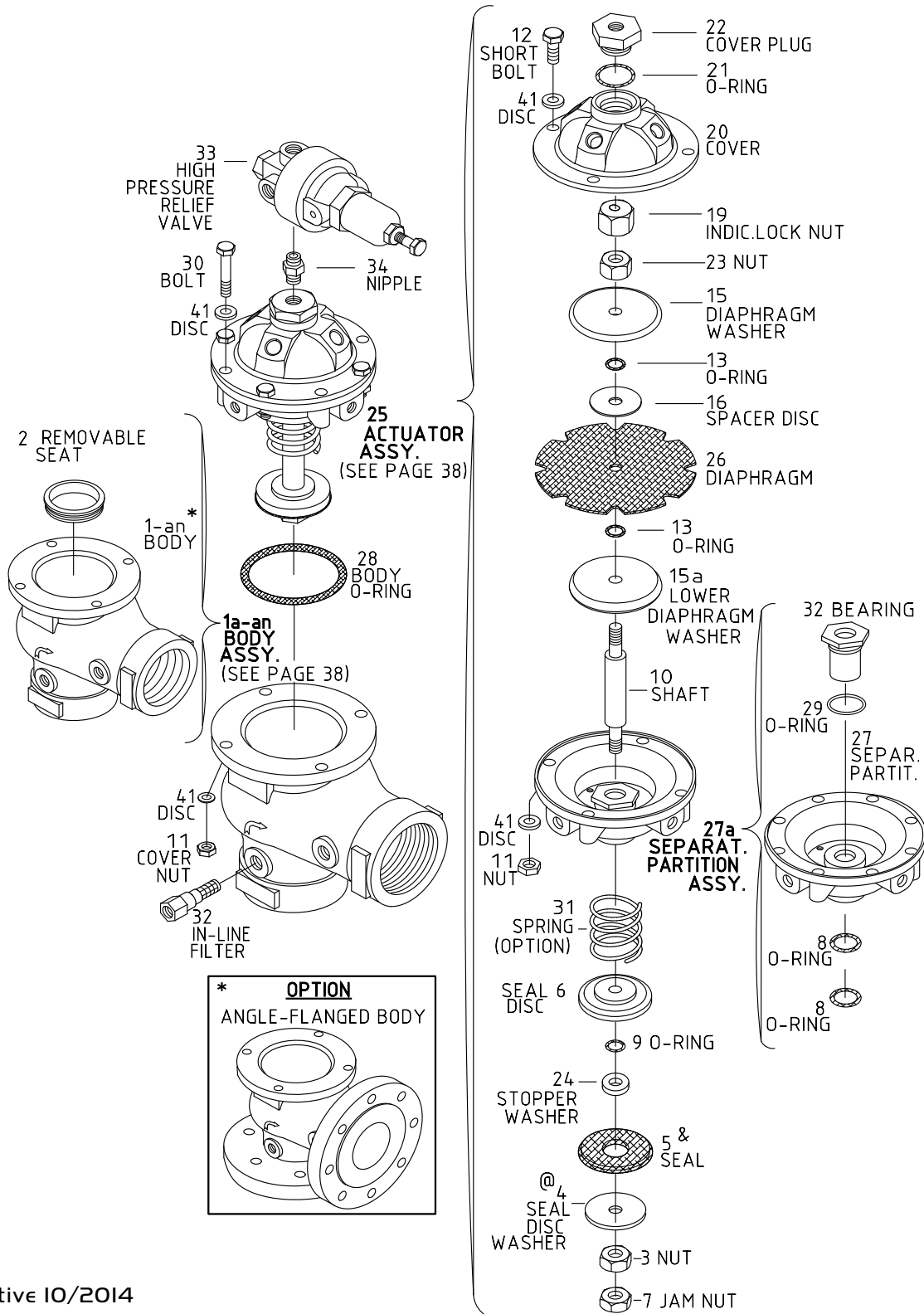


700 Series

73Q Model

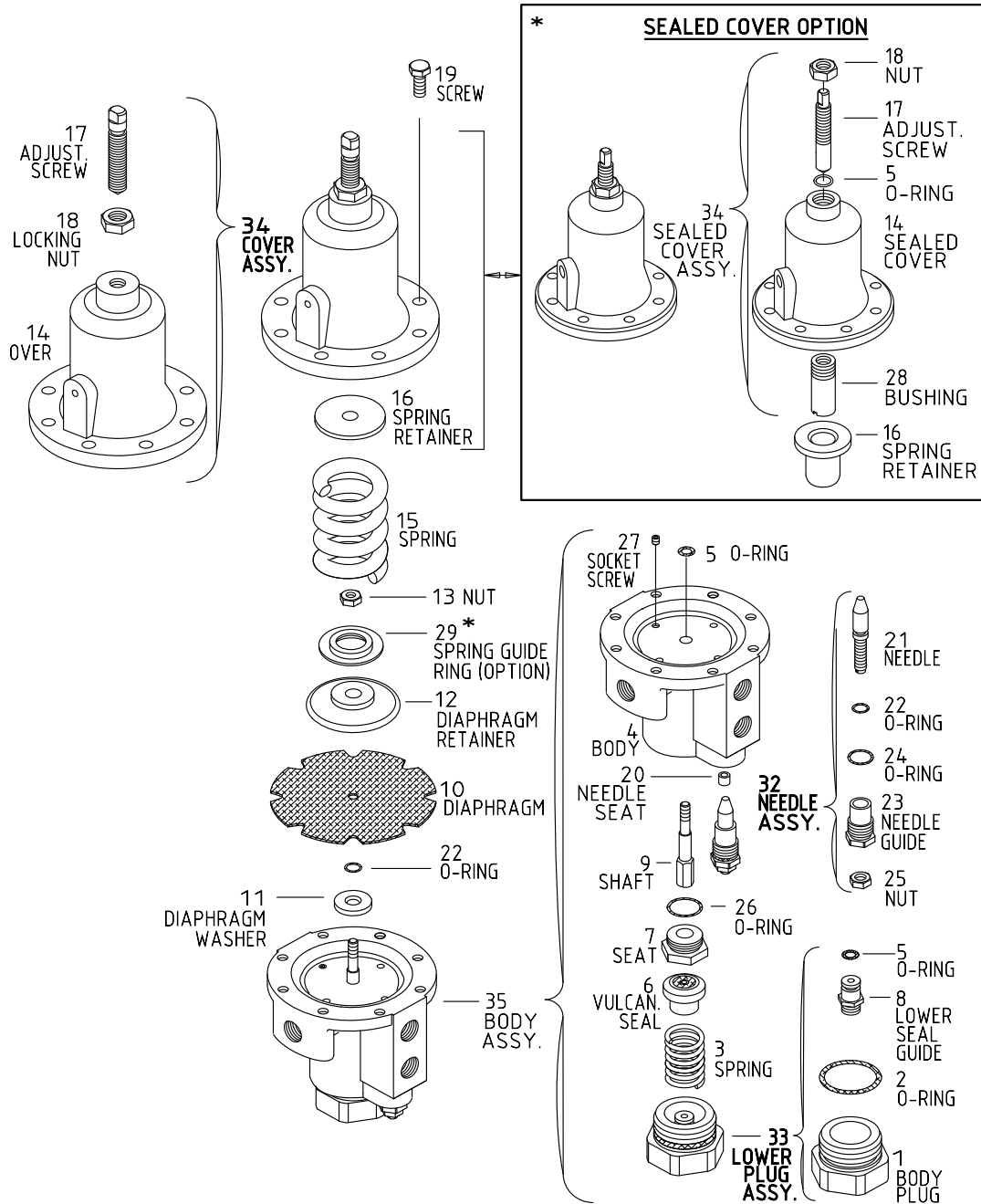
Pressure Relief Valves-Quick Type

Size: 2"; DN50





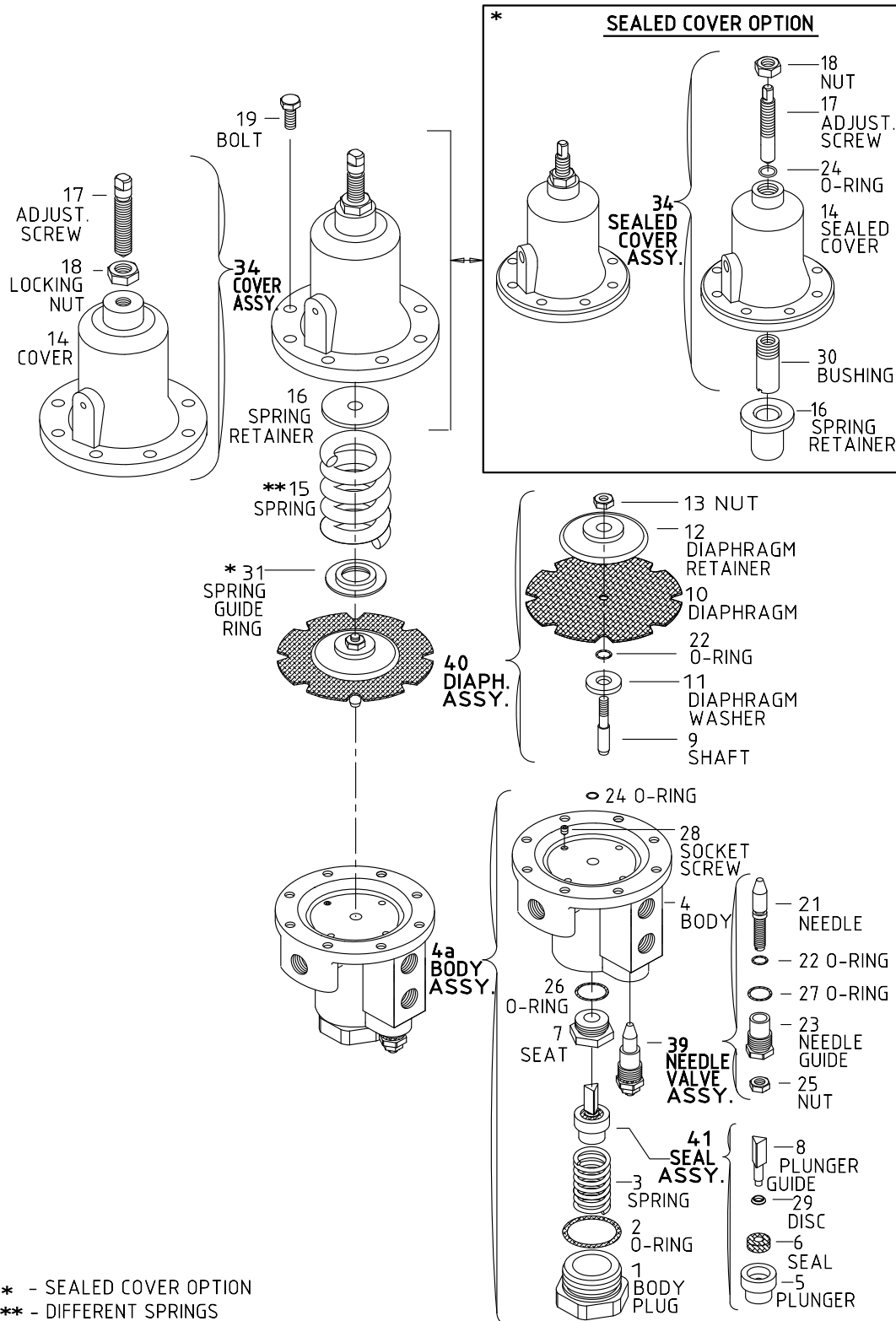
#X 3-Way Positioning Hydraulic Pilot Valve



- SEALED COVER OPTION

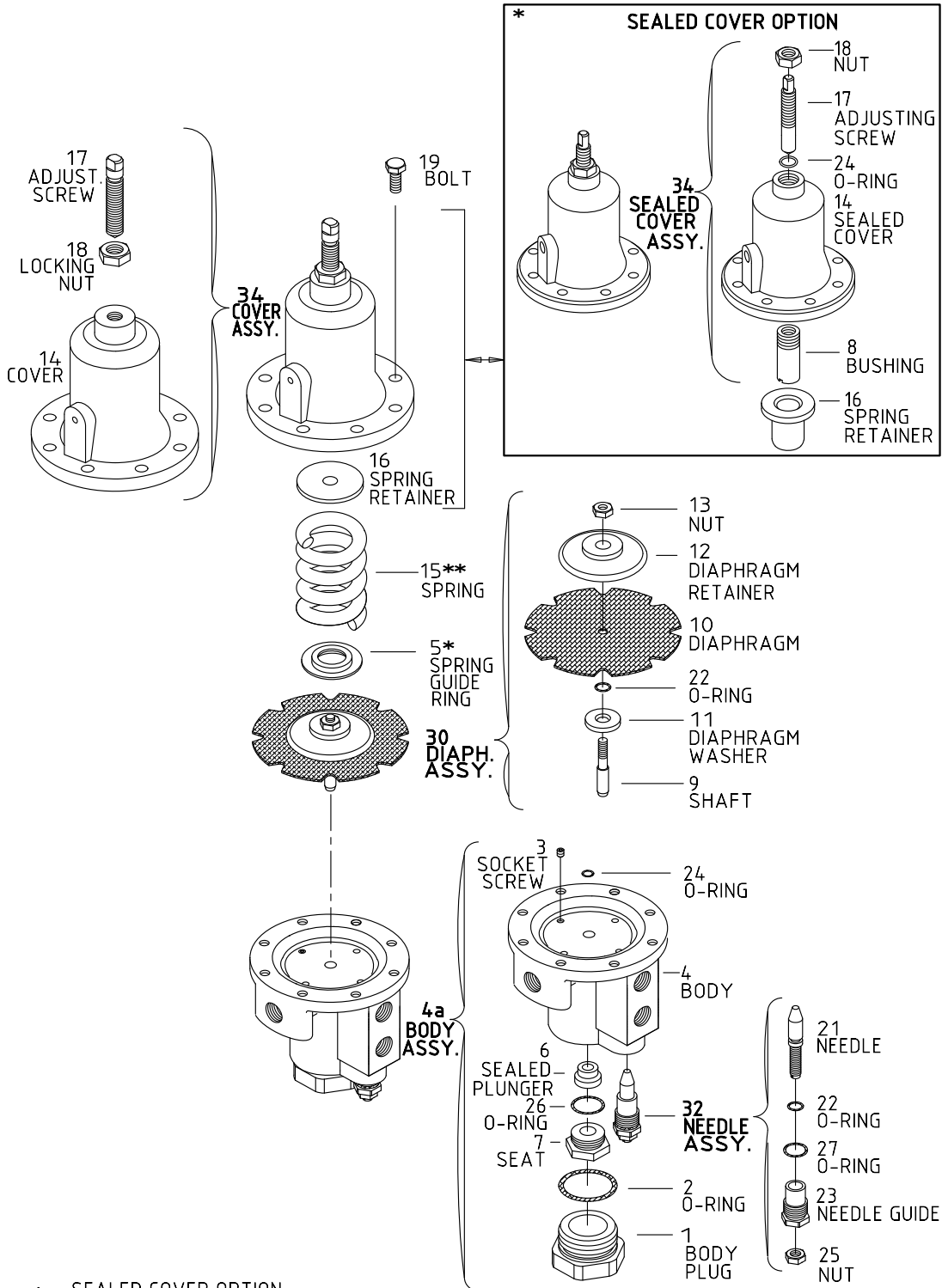


#2 2-Way Pressure Reducing Pilot Valve





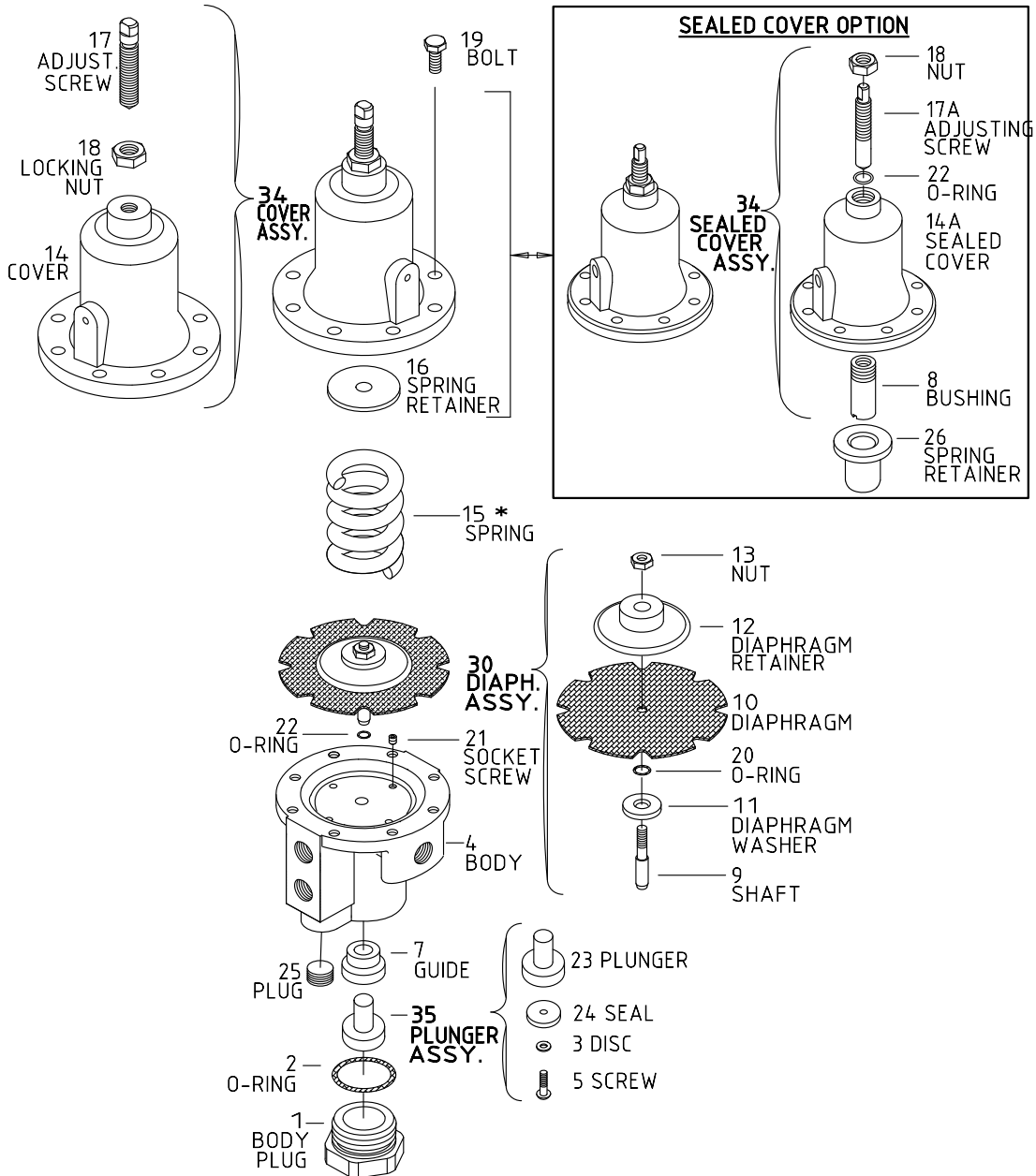
#3 2-Way Pressure Sustaining Pilot Valve



* - SEALED COVER OPTION
 ** - DIFFERENT SPRINGS

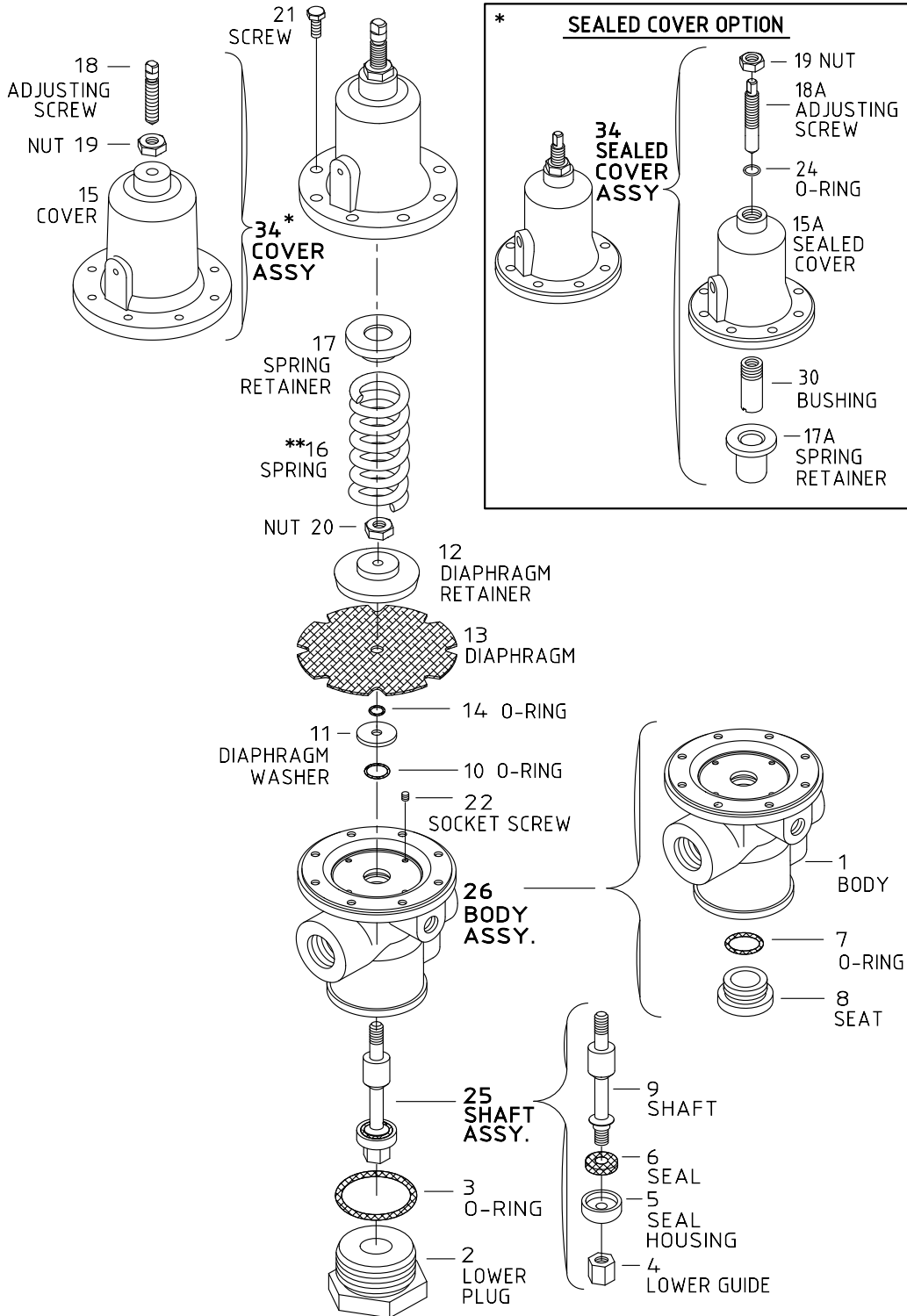


#3Q 2-Way Quick Relief Pilot Valve





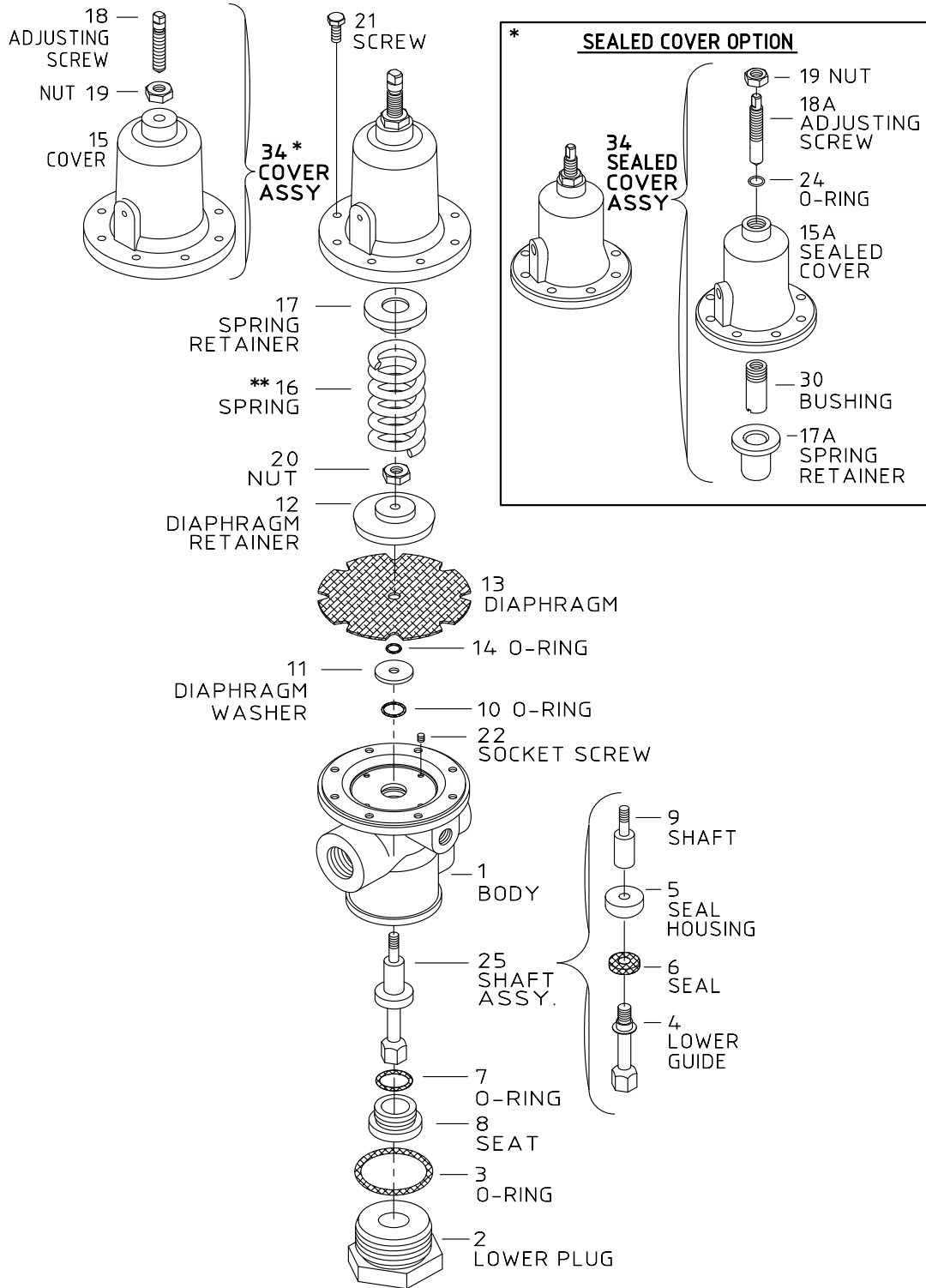
#2HC 2-Way High Capacity Pressure Reducing Pilot Valve



** RANGE OF SPRINGS

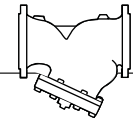


#3HC 2-Way High Capacity Pressure Sustaining Pilot Valve





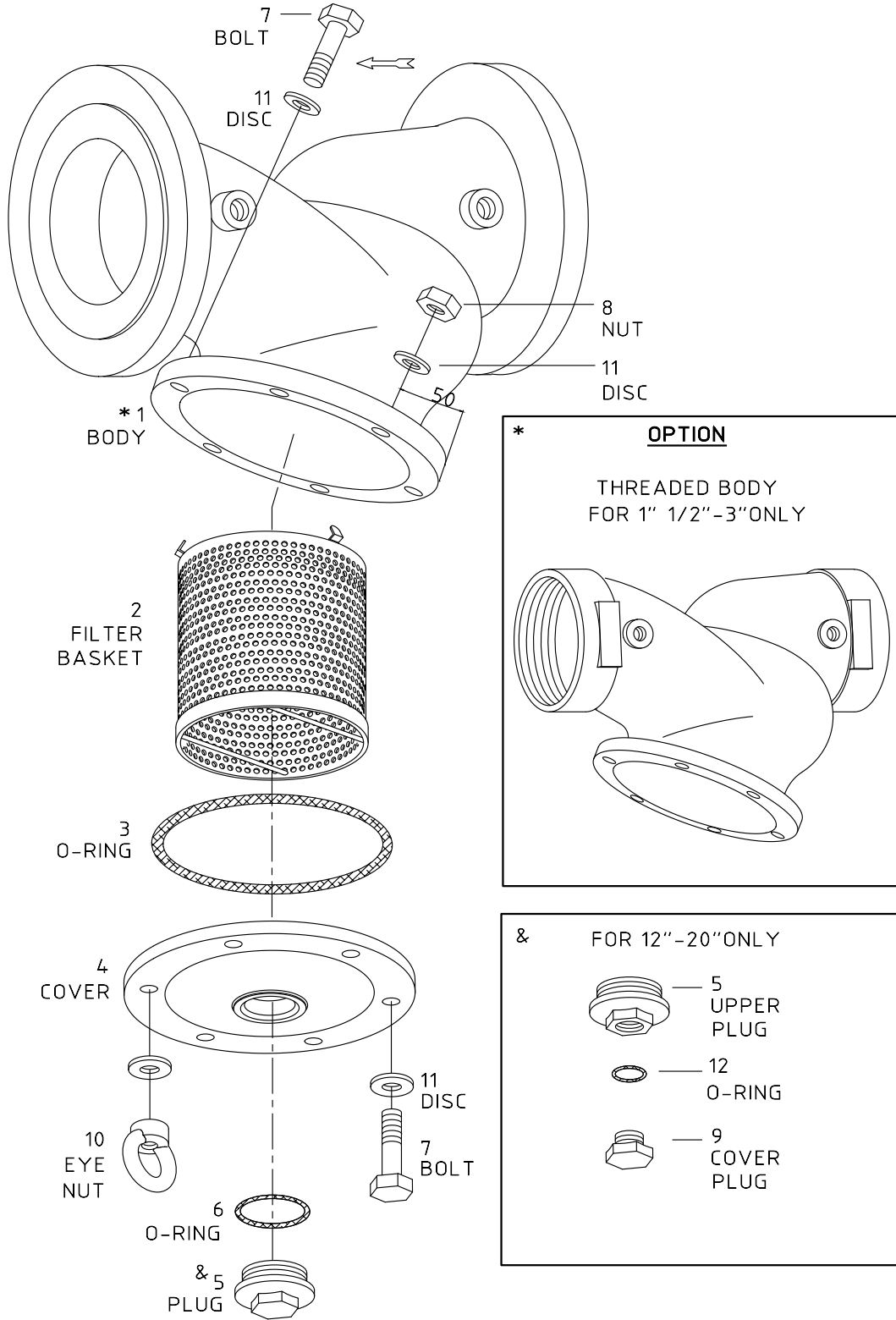
BERMAD IR Spare Parts



70F Series

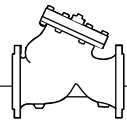
Strainers

Sizes: 1½"-20"; DN40-500





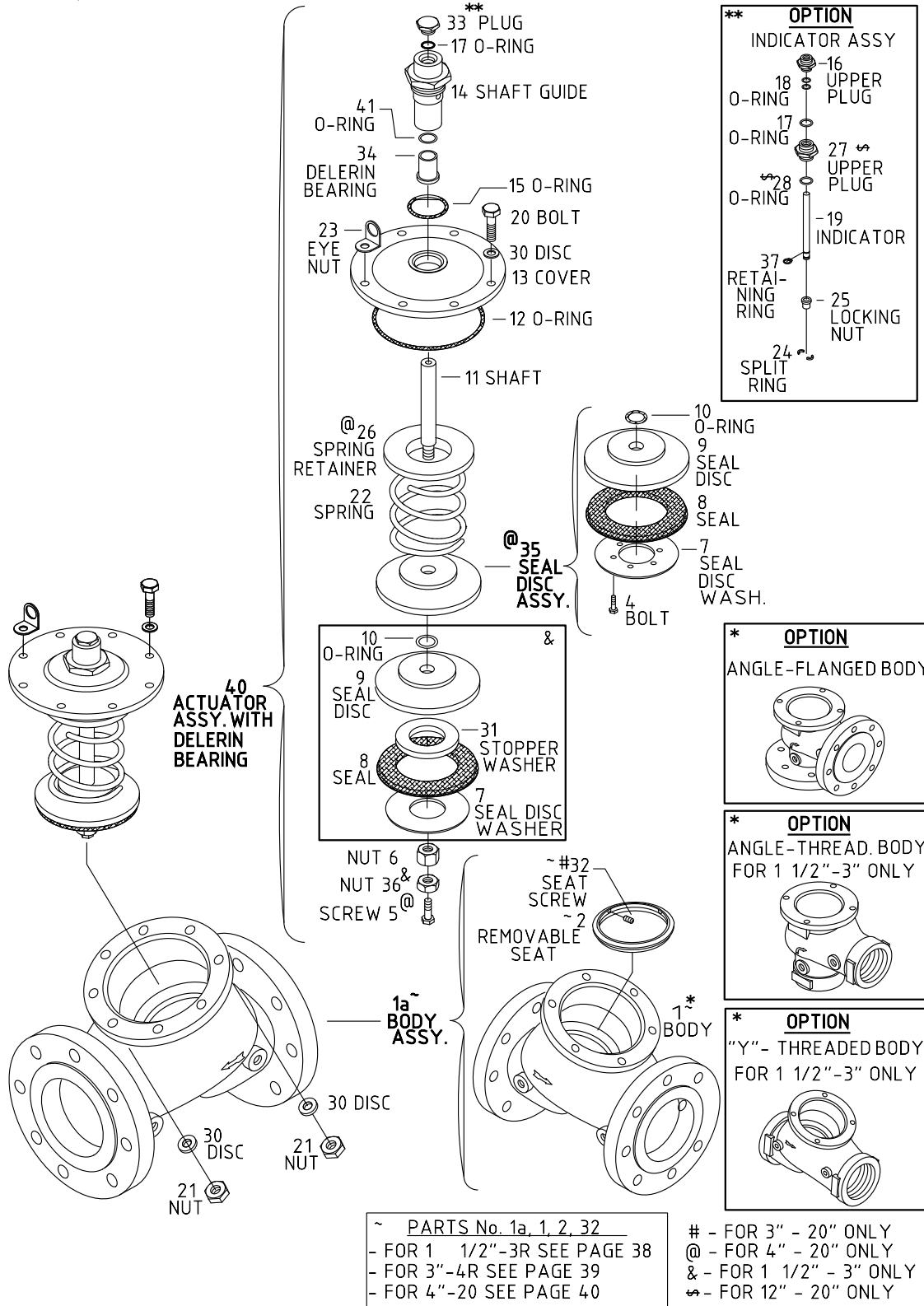
BERMAD IR Spare Parts

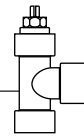


70N Series

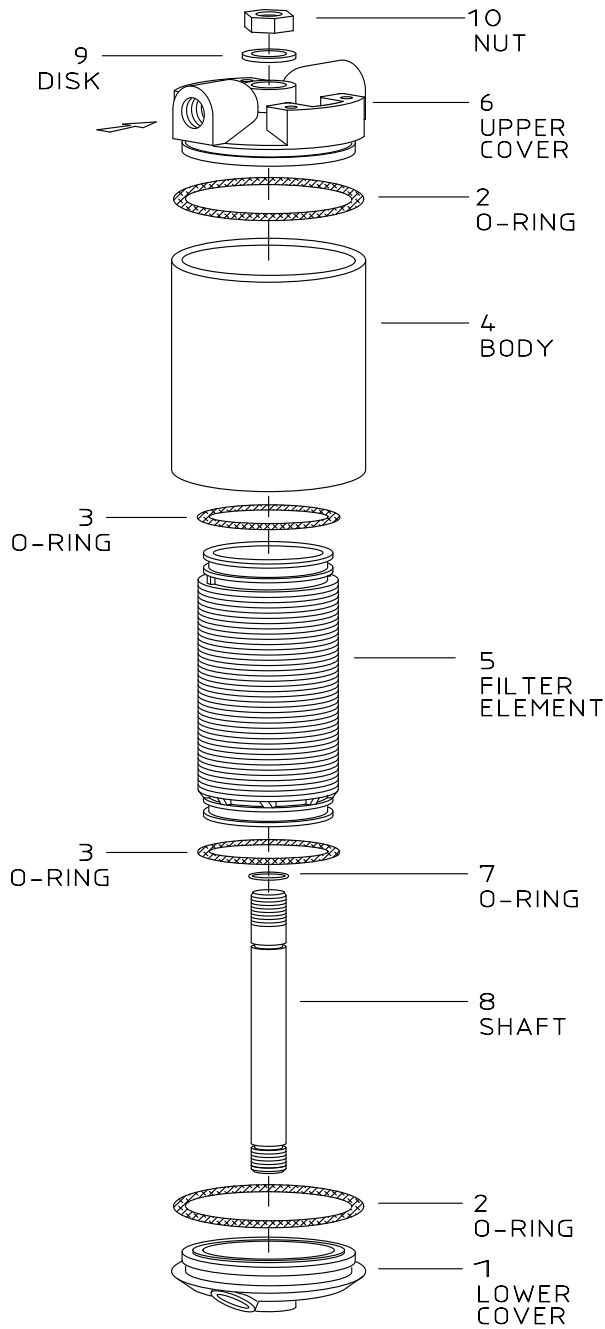
Check Valves

Sizes: 1 1/2"-20"; DN40-500





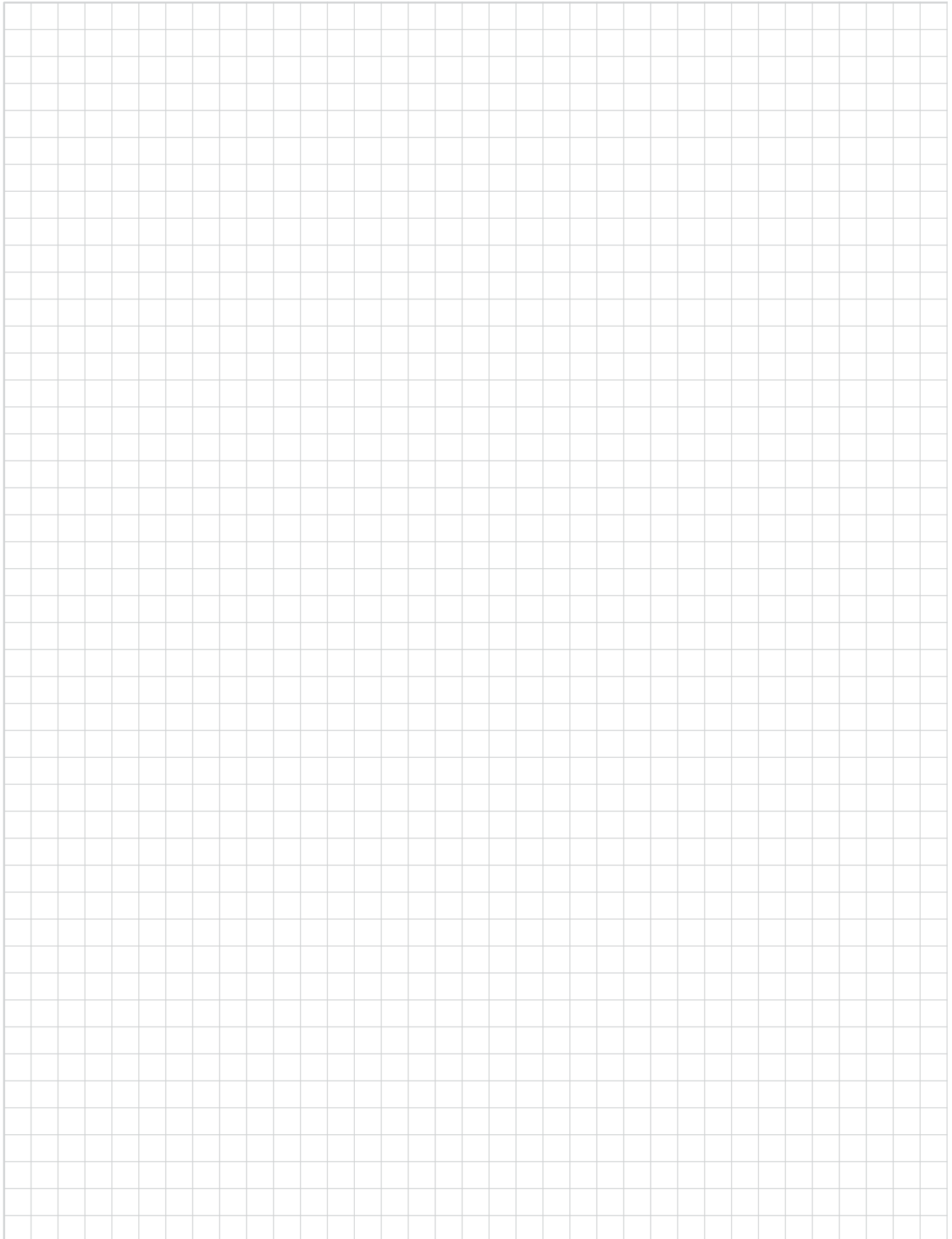
Large Control Filter





BERMAD IR Spare Parts

Effective 10/2014



BERMAD

Water Control Solutions


BERMAD
Waterworks


BERMAD
Fire Protection


BERMAD
Petroleum


BERMAD
Irrigation


BERMAD
Turf



info@bermad.com • www.bermad.com

© Copyright 2007-2012 Bermad CS Ltd. All Rights Reserved. The information contained in this document is subject to change without notice.
BERMAD shall not be liable for any errors contained herein. POXAESP REV.2 05/2015