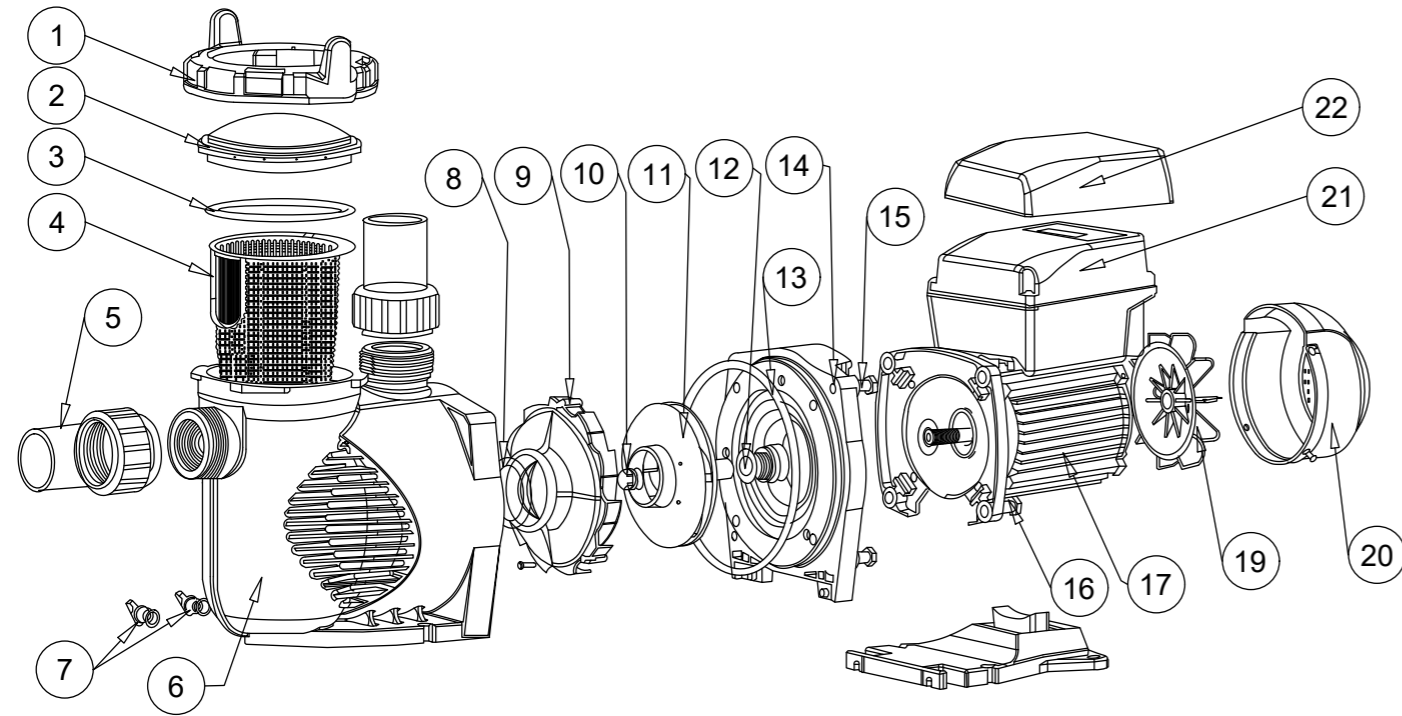


FLOTIDE POOL PUMP, SPV 150



FLOTIDE POOL PUMP, SPV 150

| NR. | DESCRIPTION | PART NR. |
|-----|--|----------|
| 1 | Nut for lid | 7029246 |
| 2 | Transparent lid | 7029247 |
| 3 | O-ring for lid | 7029248 |
| 4 | Basket | 7029249 |
| 5 | 1.5" Union | 7029276 |
| 6 | Pump body | 7029250 |
| 7 | Drainplug with O-ring | |
| 8 | O-ring for diffuser | 7029251 |
| 9 | Diffuser | 7029252 |
| 10 | Screw for impeller with O-ring | 7029253 |
| 11 | Impeller SPV 150 | 7029254 |
| 12 | Mechanical seal 3/4" SPV | 7029255 |
| 13 | O-ring for flange | 7029256 |
| 14 | Flange | 7029257 |
| 15 | Screw M8 x 35 with washer for motor | |
| 16 | Screw M8 x 30 | |
| 17 | Motor SPV 150 TYC-71L | 7029258 |
| 18 | Base | |
| 18 | Arch cushion for base | |
| 19 | Fan | 7009302 |
| 20 | Fan cover | 7029259 |
| 21a | Controller for SPV 150 (without plug) | 7029260 |
| 21b | Controller for SPV 150-RS485 (without plug) | |
| 21c | Controller for SPV 150-RS485-WiFi (without plug) | |
| 22 | Transparent lid for controller | 7029261 |