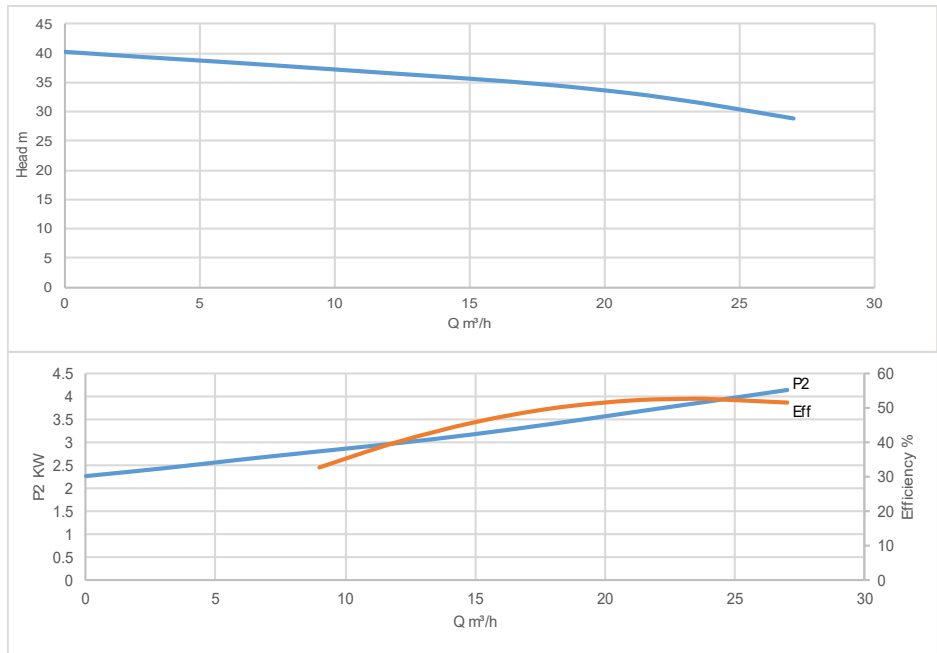


Rovatti Centrifugal pump, type T0F



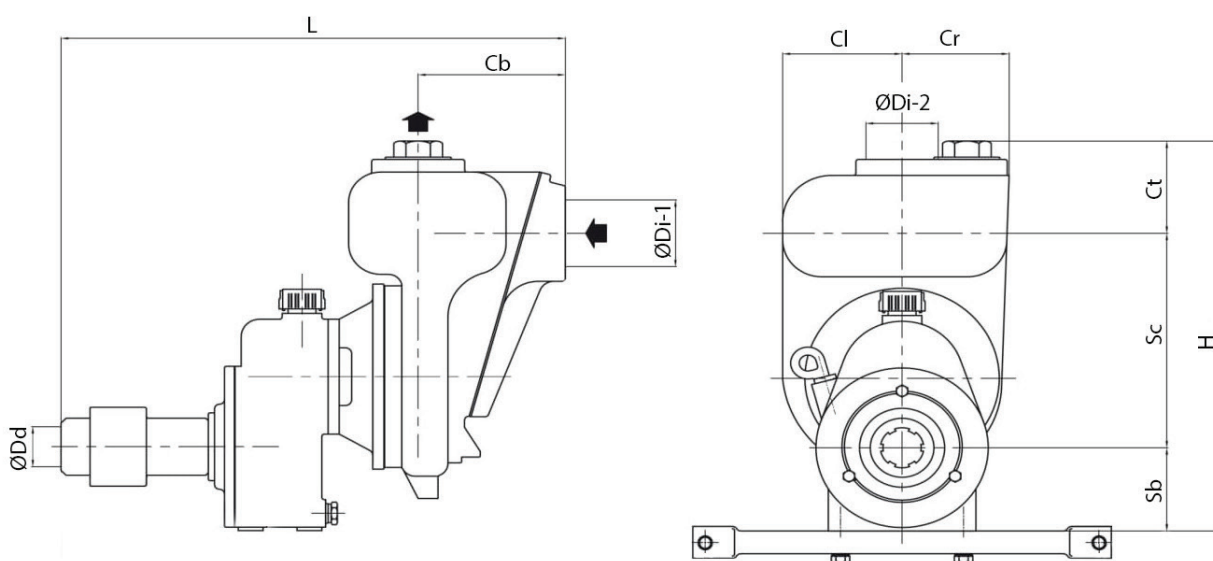
Performance Curve

Pump data

Pump Model	P2		Connections		Full Load Current (A)	Rated Voltage (V)
	HP	kW	Di-1	Di-2		
7024365			2"	2"		

Q (m³/h)	0	3	6	9	12	15	18	21	24	27
H (m)	40	39.5	38.5	37.5	36.5	35.5	34.5	33	31	29

Pump Diagram



Model	L	H	Cb	Cl	Cr	Ct	Sc	Sb	Dd	Di-1	Di-2
7024365	408	326	122	98	89	66	187	73	13/8"	2"	2"