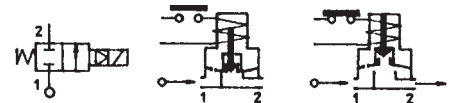
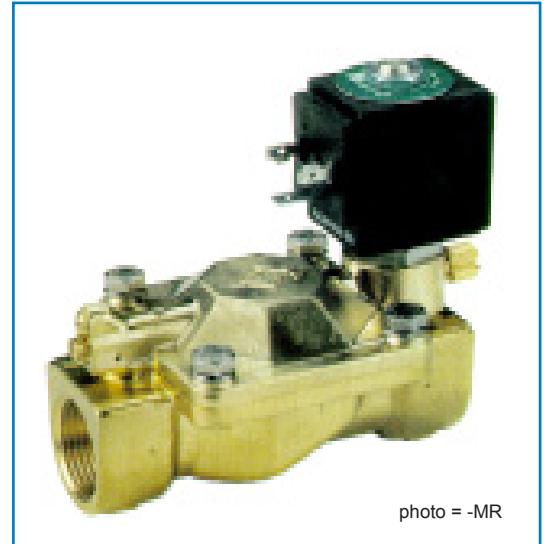


2/2-Way Solenoidvalve

T-Serie

VALVE TYPE: PILOT OPERATED

- Function : normally closed, NC
- Construction : diaphragm
- Pressure range : 0,2 - 16 bar max., see tabel
- Material : brass with stainless steel inner parts
- Seal : NBR standard, viton of EPDM optional
- Ambient temp. : max. +35°C
- Medium temp. : -10 upto +90°C (NBR - 21W.KB...)
-10 upto +140°C (Viton - 21W.KV...)
-10 upto +140°C (EPDM - 21W.KE...)
- Viscosity : max. 12cSt / ~2°E
- Supply voltage : 230/50, 24/50
24/= Other voltages on request
- Enclosure : Din 40050 / IP65
- Medium : neutral, gaseous and liquid
- Connection : 3/4 upto 2" BSP
- Installation : solenoid in upright postion only

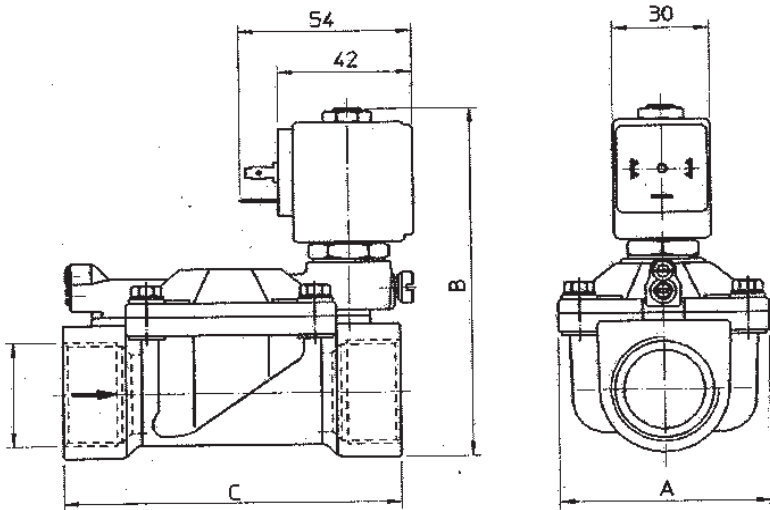


Valve, non-energised, closed by spring power - NC. When energised, the pressure decomposes on the secondary side of the piston. The pressure differential lifts the piston from the seat (orifice) and the valve opens. There should always be a pressure differential, of at least 0,2 bar over the valve, to secure unproblematic operation.

Conn BSP	Orifice in mm	Flow-rate l/min	Typenumber	Min. pressure (in bar)	Max. pressure (in bar)		Power in Watt
					AC Spoel	DC Spoel	
3/4"	19	140		0,2	16	16	8
1"	25	190		0,2	16	16	8
1 1/4"	35	400		0,2	10	10	8
1 1/2"	40	520		0,2	10	10	8
2"	50	750		0,2	10	10	8
3/4"	19	140		0,2	16	16	8
1"	25	190		0,2	16	16	8
1 1/4"	35	400		0,2	10	10	8
1 1/2"	40	520		0,2	10	10	8
2"	50	750		0,2	10	10	8

MR = manual override and variable closing time.

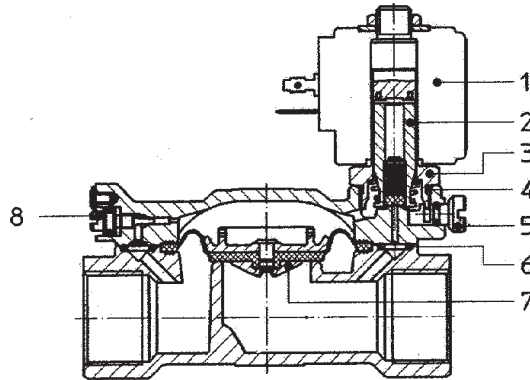
Dimensional drawing standard type (dimensions in mm)



Type	Conn.	A	B	C
	3/4"	65	105	104
	1"	65	112	104
	1 1/4"	98	125	144
	1 1/2"	98	125	144
	2"	118	141	172

Power consumption		
Type	Rush VA~	Hold VA~
8 Watt	25	14,5

Parts



Pos nr.	Description	Code nr		
1	Coil	8 watt	8 watt	8 watt
2	Anchor complete	R450886/B	R450886/B	R450886/B
3	Tube complete	R450603	R450603	R450603
4	O-ring	R990300/B	R990300/B	R990300/B
5	Manual override	R451772/B	R451772/B	R451772/B
6	O-ring	R990002/B	R990005/B	R990081/B
7	Diaphragm compl.	R450431/B	R450466/B	R450432/B
8	Manual override	R450728/B	R450728/B	R450728/B

All technical specifications are subject to change, without prior notice. No responsibility is accepted for the information stated!