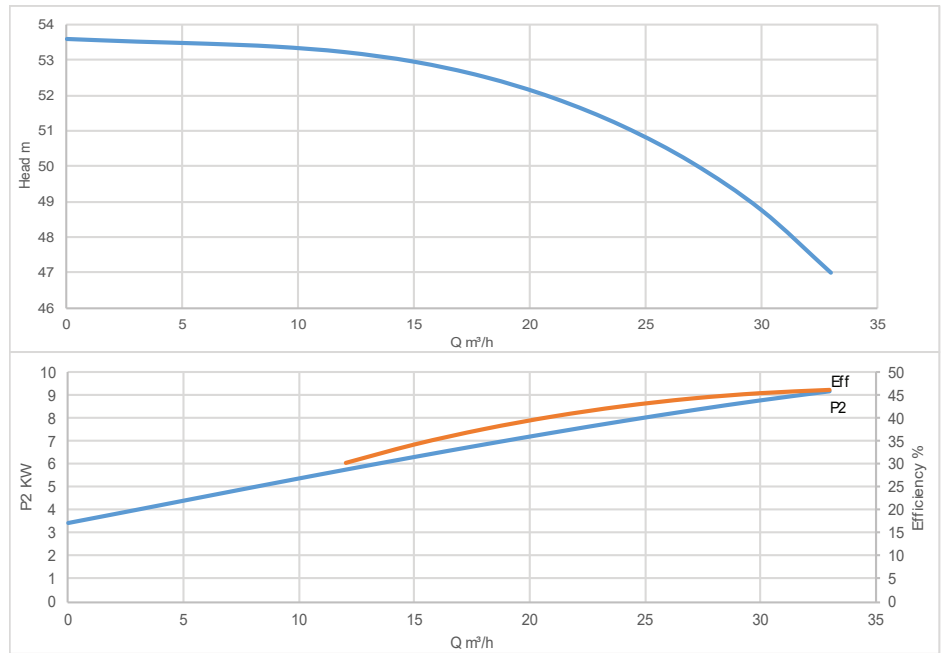


Rovatti Centrifugal pump, type T0F



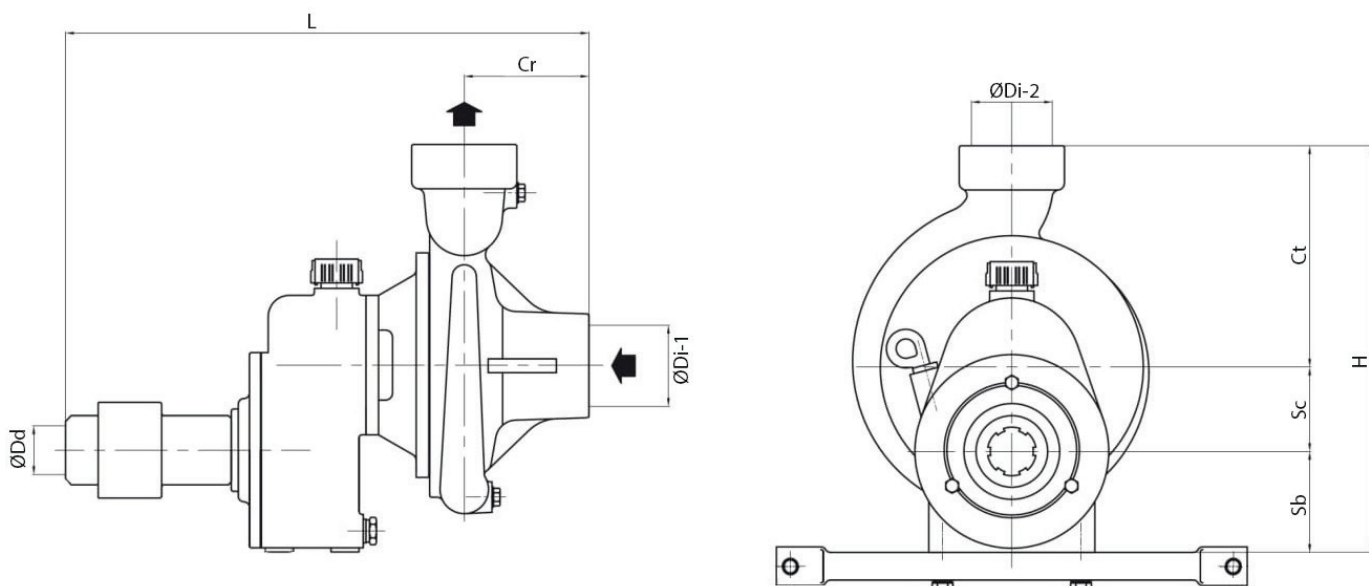
Performance Curve

Pump data

Pump Model	P2		Connections		Full Load Current (A)	Rated Voltage (V)
	HP	kW	Di-1	Di-2		
7024364			2"	2"		

Q (m³/h)	0	3	6	9	12	15	18	24	27	33
H (m)	53.5	53.5	53.5	53.5	53	53	52.5	51	50	47

Pump Diagram



Model	L	H	Cr	Ct	Sb	Sc	Dd	Di-1	Di-2
7024364	374	294	90	160	73	61	13/8"	2"	2"