

---

**LXLC/FX -50A~300A(mm)**  
**Removable element Woltman cold (hot) water meter**

This type of water meter can be used for a remote reading transmission system as equipped with a built-in sensor.



**APPLICATION:**

Measuring the volume of cold water passing through the pipeline.

**FEATURES:**

Removable element structure, easy installation and maintenance, long term clear reading, magnetic drive, inter-exchangeable spare parts, low pressure loss, and long working life etc.

**WORKING CONDITION:**

Water temperature:  $\leq 40^{\circ}\text{C}$     Water pressure:  $\leq 1.0\text{MPa}$  (1.6MPa for option)

**COMPLIANCE WITH STANDARD:** ISO 4064 (GB/T778-1996)

**Maximum permissible error:**

- (1) in the lower zone from  $q_{\min}$  inclusive up to but excluding  $q_t$  is  $\pm 5\%$ .
- (2) in the upper zone from  $q_t$  inclusive up to and including  $q_s$  is  $\pm 2\%$ ;

**Reed Switch Electric Data:**

Voltage: 24V DC max.

Current: 0.01A ma

---

---

## MAIN TECHNICAL SPECIFICATIONS

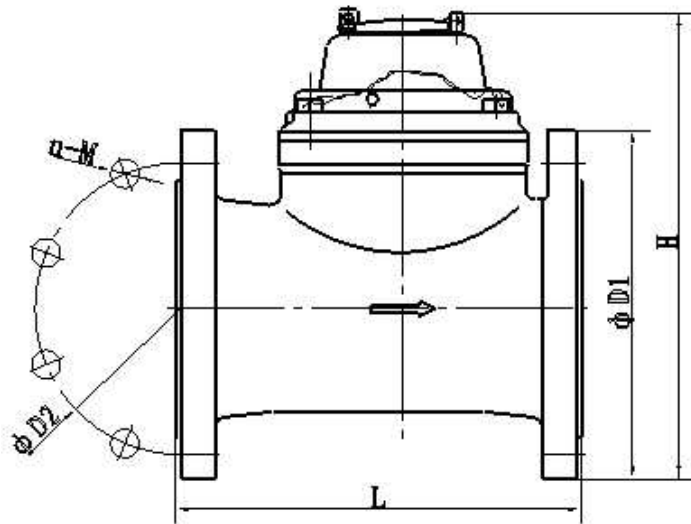
Type	Size (mm)	Class	$q_s$	$q_p$	$q_t$	$q_{min}$	Min. Reading	Max. Reading
			Overload Flow	Permanent Flow	Transitional Flow	Min. Flow		
			$m^3/h$				$m^3$	
LXLC/FX-50A	50	A	30	15	4.5	1.2	0.0002	999,999
		B			3.0	0.45		
LXLC/FX -65A	65	A	50	25	7.5	2.0	0.0002	999,999
		B			5	0.75		
LXLC/FX -80A	80	A	80	40	12	3.2	0.002	999,999
		B			8.0	1.2		
LXLC/FX -100A	100	A	120	60	18	4.8	0.002	999,999
		B			12	1.8		
LXLC/FX -125A	125	A	200	100	30	8	0.002	999,999
		B			20	3		
LXLC/FX -150A	150	A	300	150	45	12	0.002	999,999
		B			30	4.5		
LXLC/FX -200A	200	A	500	250	75	20	0.002	999,999
		B			50	7.5		
LXLC/FX -250A	250	A	800	400	120	32	0.002	999,999
		B			80	12		
LXLC/FX -300A	300	A	1200	600	180	48	0.02	9,999,999
		B			120	18		

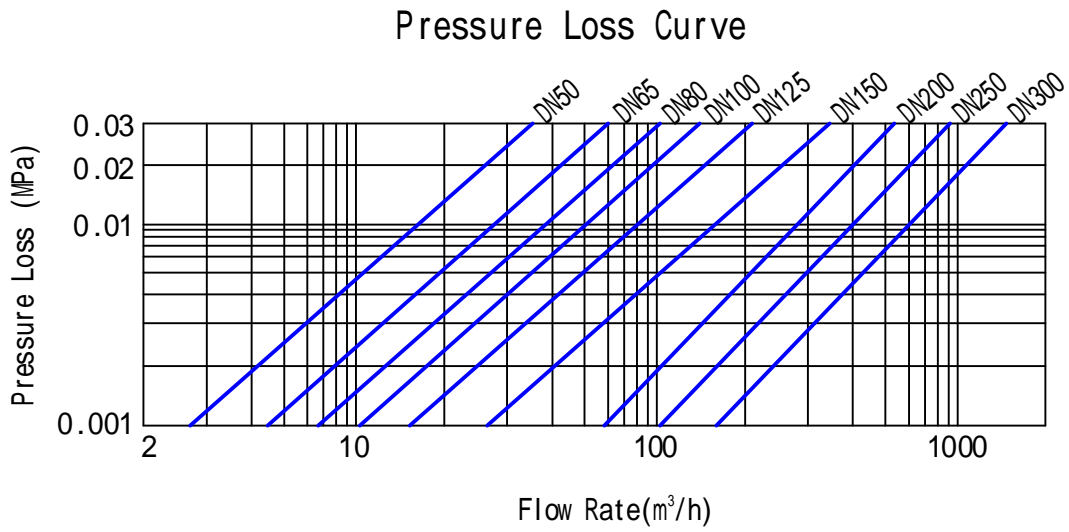
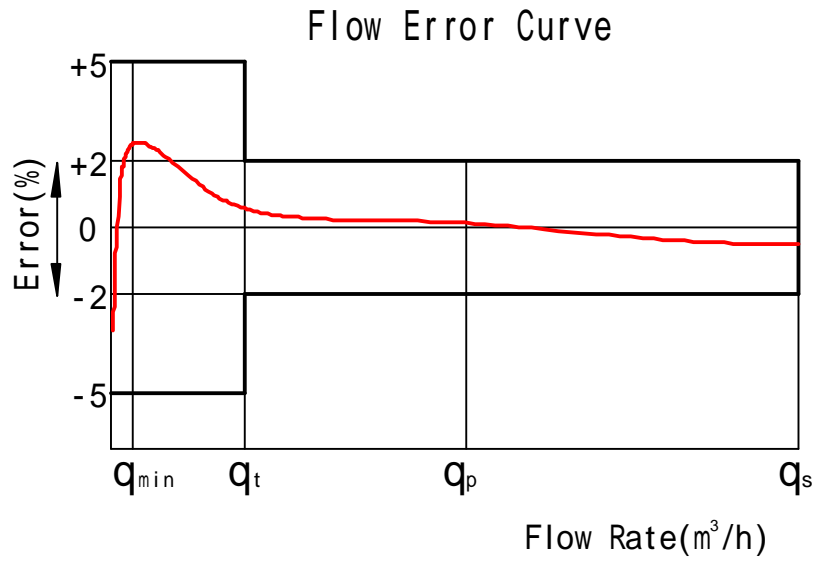
---

## DIMENSIONS

Type	Size	L Length	H Height	Connecting flange		
				$\phi$ D1 Outside diameter	$\phi$ D2 Bolt circle diameter	Connecting Bolts (n-M)
mm						
LXLC/FX -50A	50	200	261	165	125	4-M16
LXLC/FX -65A	65	200	271	185	145	4-M16
LXLC/FX -80A	80	225	279	200	160	8-M16
LXLC/FX -100A	100	250	289	220	180	8-M16
LXLC/FX -125A	125	250	299	250	210	8-M16
LXLC/FX -150A	150	300	319	285	240	8-M20
LXLC/FX -200A	200	350	346	340	295	8-M20(1.0MPa)
						12-M20(1.6MPa)
LXLC/FX -250A	250	400	434	395	350	12-M20(1.0MPa)
		450	434	405	355	12-M24(1.6MPa)
LXLC/FX -300A	300	450	459	445	400	12-M20(1.0MPa)
		500	459	460	410	12-M24(1.6MPa)

**NOTE:** The flange dimension conforms to ISO7005-2:1988 standard. Order for products of special requirements is also accepted.







---

**LXLC/FX -50A~300A REMOVABLE ELEMENT WOLTMAN WATER METER**

Code	Description	Material	QTY
1	Screw For Sealing	Stainless Steel	2
2	Cover With Lid	Assembly	1
3	Sealed Register	Assembly	1
4	Position Pin	Stainless Steel	1
5	Lead Seal Bolt	Stainless Steel	2
6	Adjusting Nut	Brass	1
7	Gasket	Brass	1
8	Flange Cover	Cast Iron	1
9	O-ring	Silicon Rubber	1
10	Bush	Brass	1
11	Gasket	Synthetic Rubber	1
12	Adjusting Lever	Brass	1
13	Connecting Lever	MPPO	1
14	Adjusting Plate	MPPO	1
15	Support	MPPO	1
16	Bolt	Brass	1
17	Turbine Component	Assembly	1
18	Rectifier	MPPO	1
19	Screw	Brass	1
20	O-ring	Synthetic Rubber	1
21	Body	Cast Iron	1
22	Screw M4×20	Stainless Steel	2
23	Gasket	Stainless Steel	3
24	Retainer	ABS	1
25	Fixing pin	Brass	1
26	Screw	Brass	4
27	Support	ABS	1
28	Bolt M12×35	Stainless Steel	2
29	Gasket	Stainless Steel	4
30	Upper Bearing Plate	Brass	1
31	Upper Bearing	Nylon With Graphite	1
32	Magnet Component	Component	1

---

---

33	Transmission Shaft	Stainless Steel	1
34	Sheath	MPPO	2
35	Bevel Gear	Nylon	1
36	Lower Bearing	Nylon With Graphite	1
37	Gasket	Brass	4
38	Screw	Brass	3
39	Nut	Brass	1
40	Gasket	Brass	1
41	Turbine Shaft Hold	Brass	1
42	Turbine Shaft	Tungsten Steel	1

---