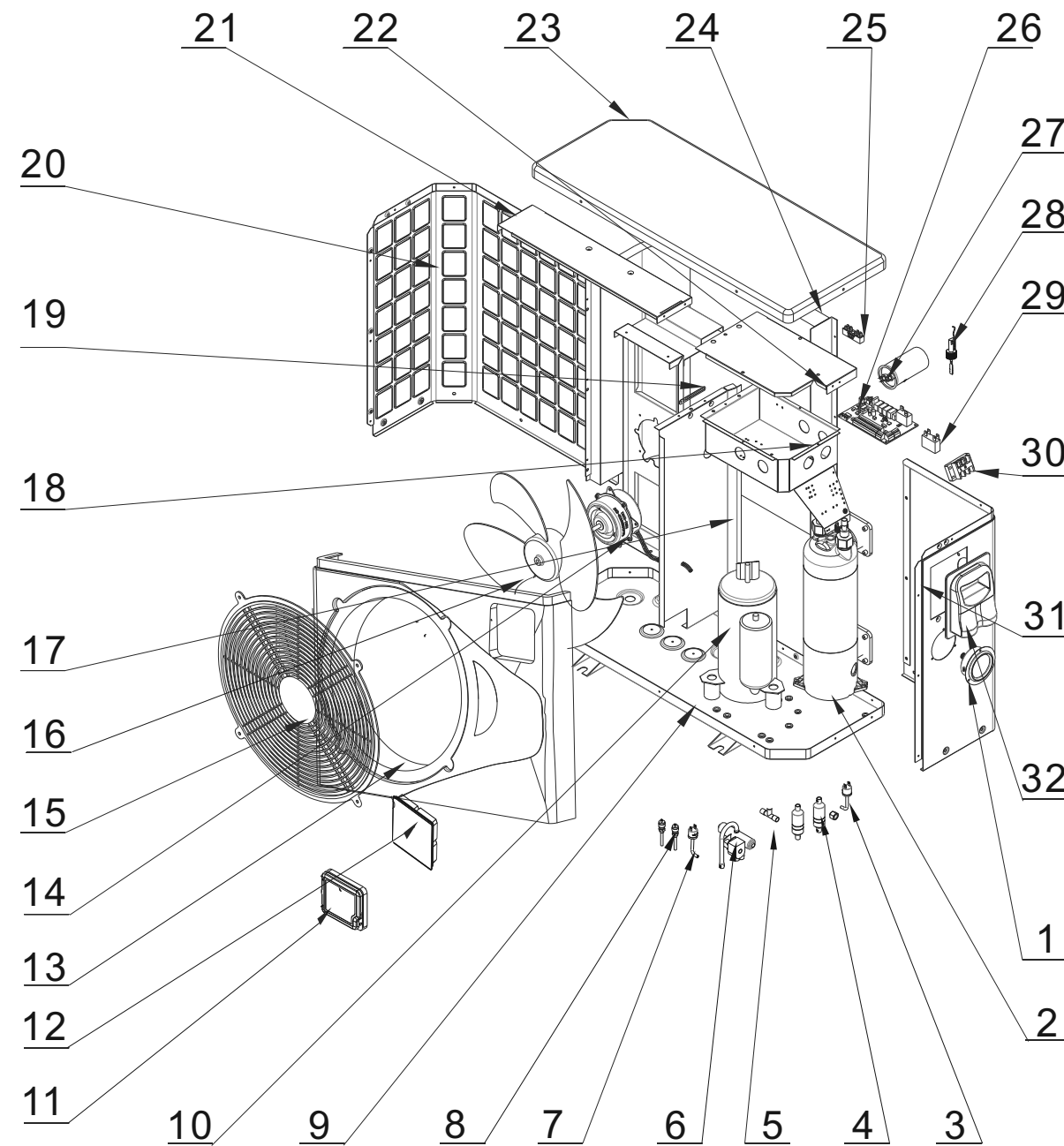


7024524 - HYDRO-PRO HEAT PUMP, TYPE P ON/OFF (TYPE P6/32)



7024524 - HYDRO-PRO HEAT PUMP, TYPE P ON/OFF (TYPE P6/32)



NR.	DESCRIPTION	PART NR.
1	Pressure meter 0 - 65bar gas F 32	7024868
2	Titanium heat exchanger P6/32	7024873
3	High pressure switch 3.2MPa/4.4MPa	7011008
4	Filter(1)	
5	3-way connection	
6	4-way reverse valve	
7	Low pressure switch 0.3MPa/0.15MPa	7011009
8	Hydro-Pro+ Premium Needle valve messing	7006466
9	Chassis	
10	Compressor WHP04350GUV-A6DT	
11	Waterproof cover	
12	LCD touch-screen display assembly Wi-Fi	7016596
13	Front panel	
14	Axial fan motor 35W YDK35-6	7024869
15	Fan motor net	
16	Fan blade 405mm x 134mm, 7mm hole anticlockwise	7024879
17	Middle separation panel	
18	Electrical box	
19	Fan motor bracket	
20	Back panel	
21	Supporting panel	
22	Electrical box cover	
23	Top cover	
24	Evaporator	
25	2-way wire connector	7011019
26a	PC 1001 controller 82300022-35005-310457 P6/32	7025262
26b	PC 1001 controller 82300022-35005-310457	7026538
27	Condensator 30µF type round wired	7010428
28	Water flow switch with glue adapter 32 mm	7006471
29	Condensator 2µF type square plugged	7010416
30	Five-seat connector	7011025
31	Right pannel	
32	Connected cover	
	Temperature sensor(5K)	7011007
	Exhausted temperature sensor 50K	7024867
	Rubber feet	
	Mega Koppeling met O-ring PVC-U 50 mm x 1 1/2" lijmof x buitendraad 10bar grijs	0100432
	10 metre extension cable	7025168
	Winter cover L*W*H 77*30*58 cm	7009812