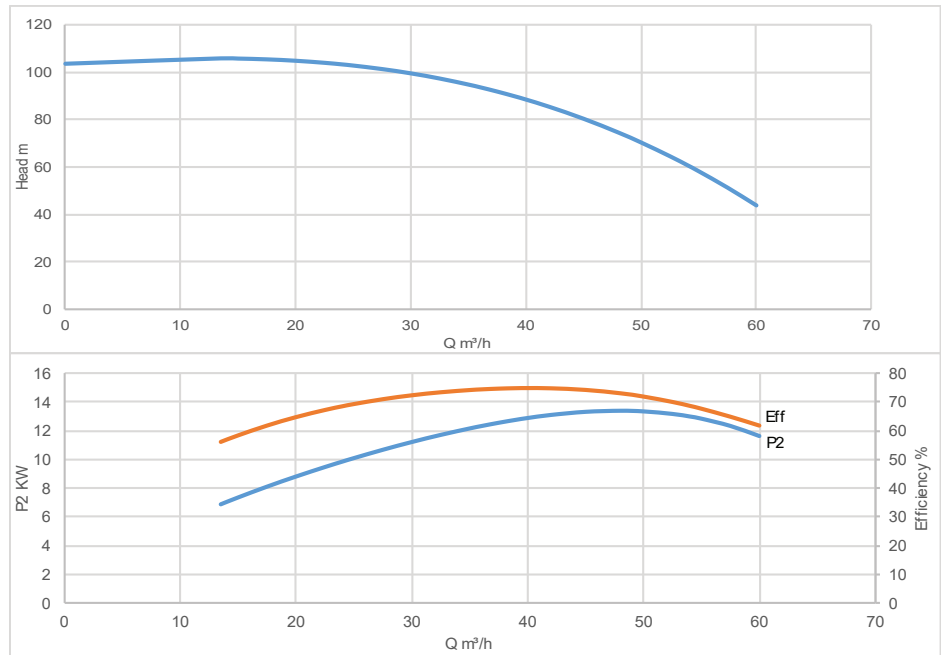


Rovatti Horizontal multi-stage pump, type ME



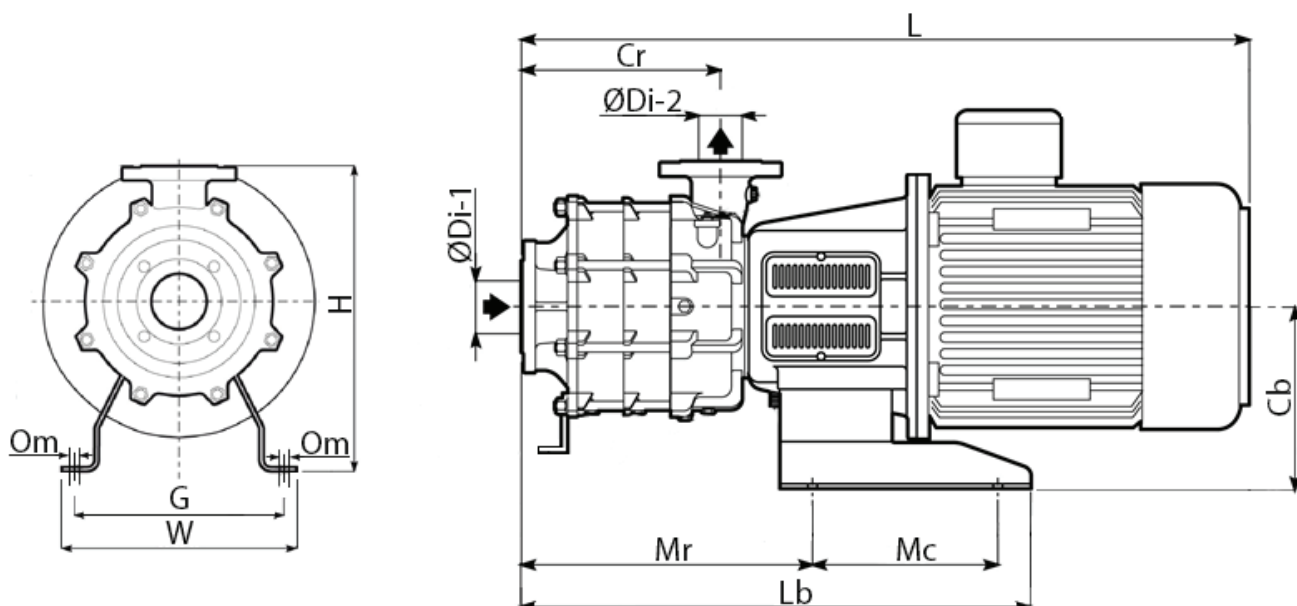
Performance Curve

Pump data

| Pump Model | P2 | | Connections | | Full Load Current (A) | Rated Voltage (V) |
|------------|----|----|-------------|------|-----------------------|-------------------|
| | HP | kW | Di-1 | Di-2 | | |
| 7024387 | 20 | 15 | 65 | 50 | | 400V |

| | | | | | | | | | | |
|----------|-----|------|-----|-----|------|------|------|------|----|----|
| Q (m³/h) | 0 | 13.5 | 24 | 30 | 36 | 39 | 42 | 48 | 54 | 60 |
| H (m) | 104 | 105 | 104 | 101 | 93.5 | 89.5 | 84.5 | 74.5 | 61 | 44 |

Pump Diagram



| Model | L | W | H | Lb | Cb | Mr | Mc | Cr | Om | G | Di-1 | Di-2 |
|---------|---|-----|-----|-----|-----|-----|-----|-----|----|-----|------|------|
| 7024387 | | 380 | 465 | 738 | 275 | 408 | 280 | 250 | 14 | 330 | 65 | 50 |