

# 348

Full Port Brass Ball Valve



Via Circonvallazione, 10  
13018 Valduggia (VC), Italy  
Tel: +39 0163 47891  
Fax: +39 0163 47895  
www.vironline.com



Full port brass ball valve  
Threaded M/M (ISO 228/1)  
Design according to MSS-SP110  
Air testing according to EN12266-1  
Blow-out proof stem, adjustable packing  
With handle or butterfly  
ACS, VA, WRAS and TR CU 010 compliant

PN40 (Max 40bar up to 95°C, max 25bar at 150°C)  
Free of CE marking for DN≤32 (cat. according to Art. 4.3 Dir. 2014/68/EU)

Working conditions

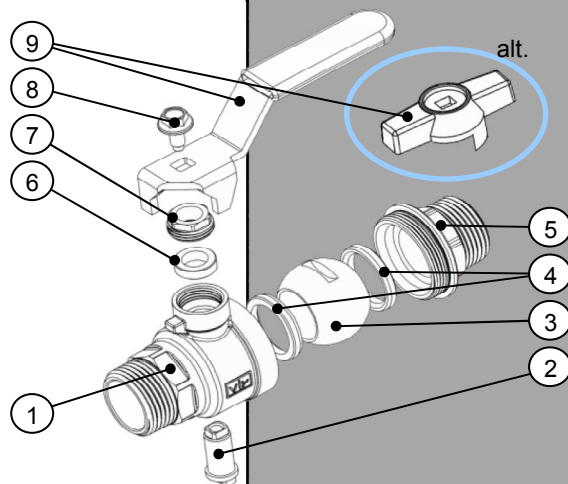
- Suitable for: water, 0°C to +150°C
- Suitable for: air, -10°C to +150°C
- Not suitable for: gases and liquids group 1 (Dir. 2014/68/EU)



## PARTLIST

N.	Part	Material	Norm
1	Body	Chromium pl. brass	EN12165 CW617N
2	Stem	Brass	EN12164 CW617N
3	Ball	Chromium pl. brass	EN12165 CW617N
4	Seat	PTFE	-
5	Fixed end	Chromium pl. brass	EN12165 CW617N
6	Packing ring	PTFE	-
7	Packing nut	Brass	EN12164 CW617N
8	Screw	Geomet steel	EN10025 Fe42
9	Handle	Geomet steel <sup>1</sup>	EN10111 Fe P11
9 <sub>alt.</sub>	Butterfly	Aluminum	UNI7363-5076

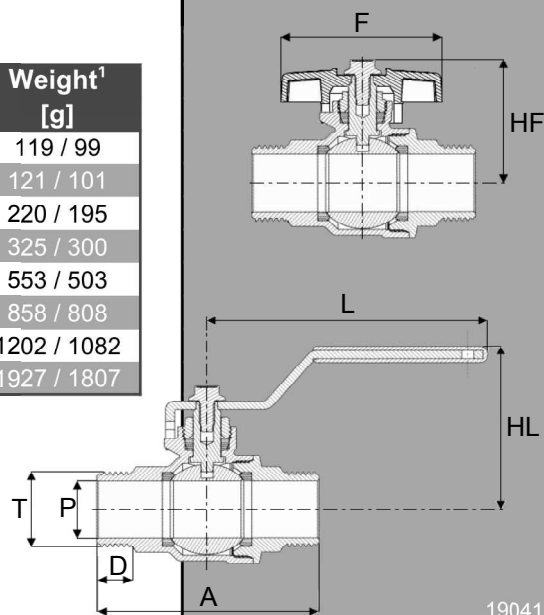
<sup>1</sup>With red PVC cover



## DIMENSIONS

DN	T	A	D	P	HL	L	HF	F	K <sub>v</sub>	Weight <sup>1</sup>
		[mm]	[mm]	[mm]	[mm]	[mm]	[mm]	[mm]	[m <sup>3</sup> /h]	[g]
008	¼"	54	10	10	41	81,0	32	44	3,2	119 / 99
010	⅜"	54	10	10	41	81,0	32	44	5,8	121 / 101
015	½"	63	12	15	53	91,5	39	55	15,7	220 / 195
020	¾"	73	12	20	57	91,5	43	55	30,8	325 / 300
025	1"	85	16	25	65	126,5	50	83	49,3	553 / 503
032	1¼"	100	18	32	71	126,5	56	83	79,0	858 / 808
040	1½"	116	19	40	79	141,5	65	108	125,3	1202 / 1082
050	2"	134	21	50	87	141,5	73	108	224,2	1927 / 1807

<sup>1</sup>Weight for lever handle version / weight for butterfly handle version



190415