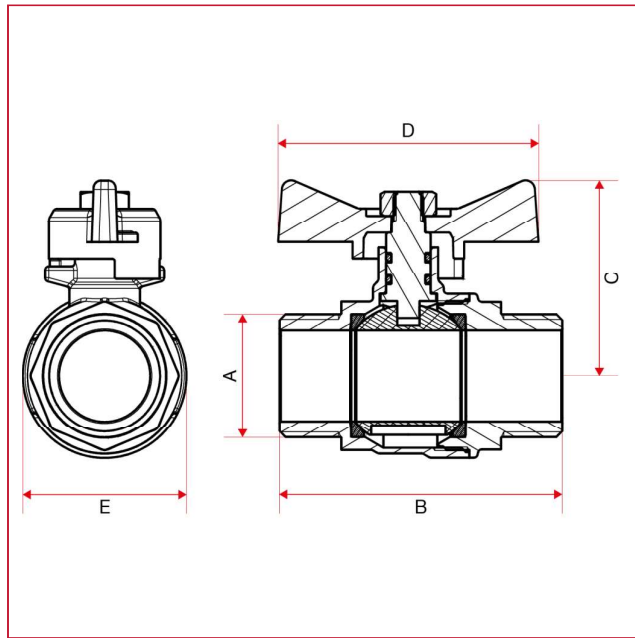




BALL VALVES

OVERALL DIMENSIONS art.099F



099F

	1/2"	3/4"	1"
DN	15	20	25
A	1/2"	3/4"	1"
B	62	65	76
C	40	43	52
D	54	54	70
E	29,5	37	44
Kg/cm ² bar	40	40	40
LBS - psi	580	580	580