

# 220

Polypropylene Homopolymer Ball Valve



Via Circonvallazione, 10  
13018 Valduggia (VC), Italy  
Tel: +39 0163 47891  
Fax: +39 0163 47895  
www.vironline.com

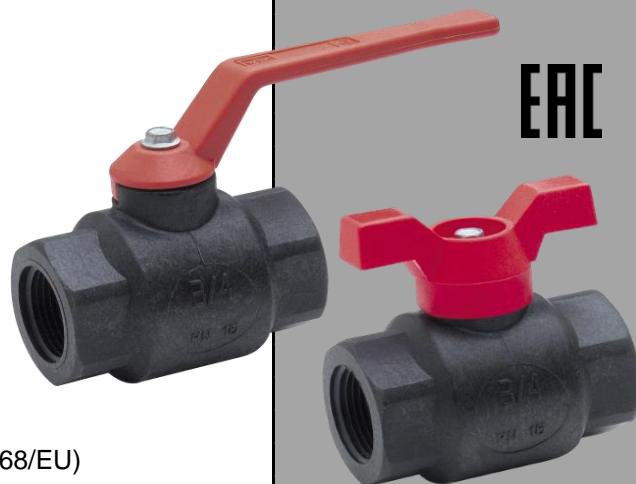


Polypropylene homopolymer ball valve  
Threaded F/F (ISO 228/1)  
One piece body  
Blow-out proof stem  
With handle or butterfly (up to DN≤32)  
TR CU 010 compliant

PN16  
Free of CE marking (cat. according to Art. 4.3 Dir. 2014/68/EU)

Working conditions

- Suitable for: water, 0°C to +75°C
- Not suitable for: gases group 1 & 2, liquids group 1 (Dir. 2014/68/EU)



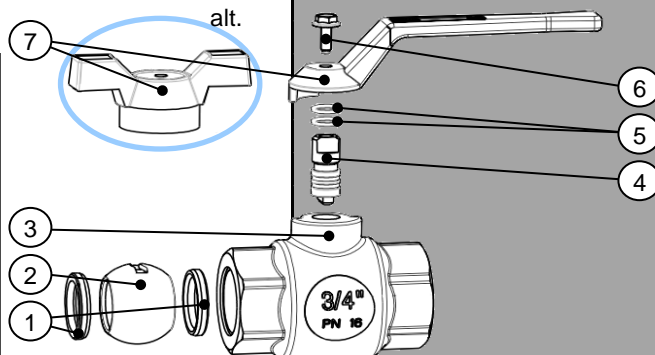
## PARTLIST

N.	Part	Material	Norm
1	Seat	PTFE	-
2	Ball	Chromium pl. brass	EN12164 CW617N <sup>1</sup>
3	Body	Polypr. homopolymer <sup>2</sup>	-
4	Stem	Brass	EN12164 CW617N
5	O-ring	NBR	-
6	Screw	Geomet steel	EN10025 Fe42
7	Handle	PA6 Polyamide <sup>3</sup>	-
7 alt.	Butterfly	PA6 Polyamide <sup>2</sup>	-

<sup>1</sup>EN12165 CW617N for DN≥25

<sup>2</sup>30% glass fiber reinforced

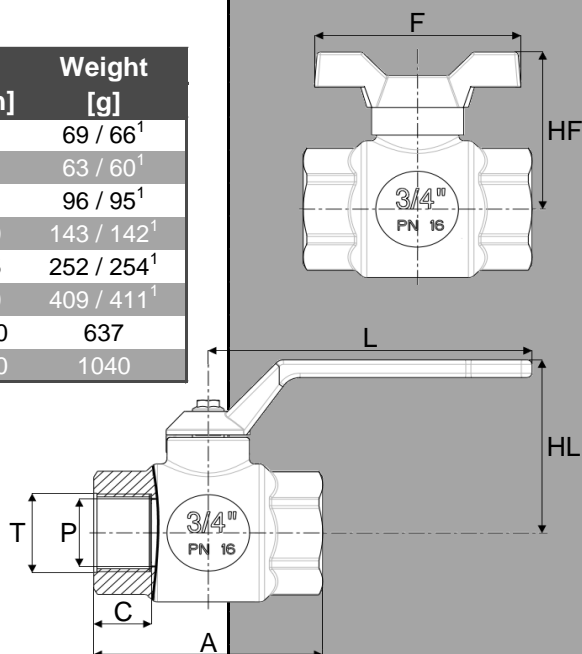
<sup>3</sup>50% glass fiber reinforced



## DIMENSIONS

DN	T	A	C	P	HL	L	HF	F	K <sub>v</sub>	Weight
		[mm]	[mm]	[mm]	[mm]	[mm]	[mm]	[mm]	[m <sup>3</sup> /h]	[g]
008	¼"	52	14,0	10	47	85	41	61	3,2	69 / 66 <sup>1</sup>
010	⅜"	52	14,0	10	47	85	41	61	5,8	63 / 60 <sup>1</sup>
015	½"	61	15,5	15	55	102	50	65	9,5	96 / 95 <sup>1</sup>
020	¾"	72	17,5	20	59	102	54	65	19,0	143 / 142 <sup>1</sup>
025	1"	84	20,5	25	73	120	70	82	38,5	252 / 254 <sup>1</sup>
032	1¼"	98	23,0	32	78	120	75	82	60,0	409 / 411 <sup>1</sup>
040	1½"	108	23,0	40	95	146	-	-	125,0	637
050	2"	131	29,0	50	103	146	-	-	310,0	1040

<sup>1</sup>Weight for lever handle version / weight for butterfly handle version



201014