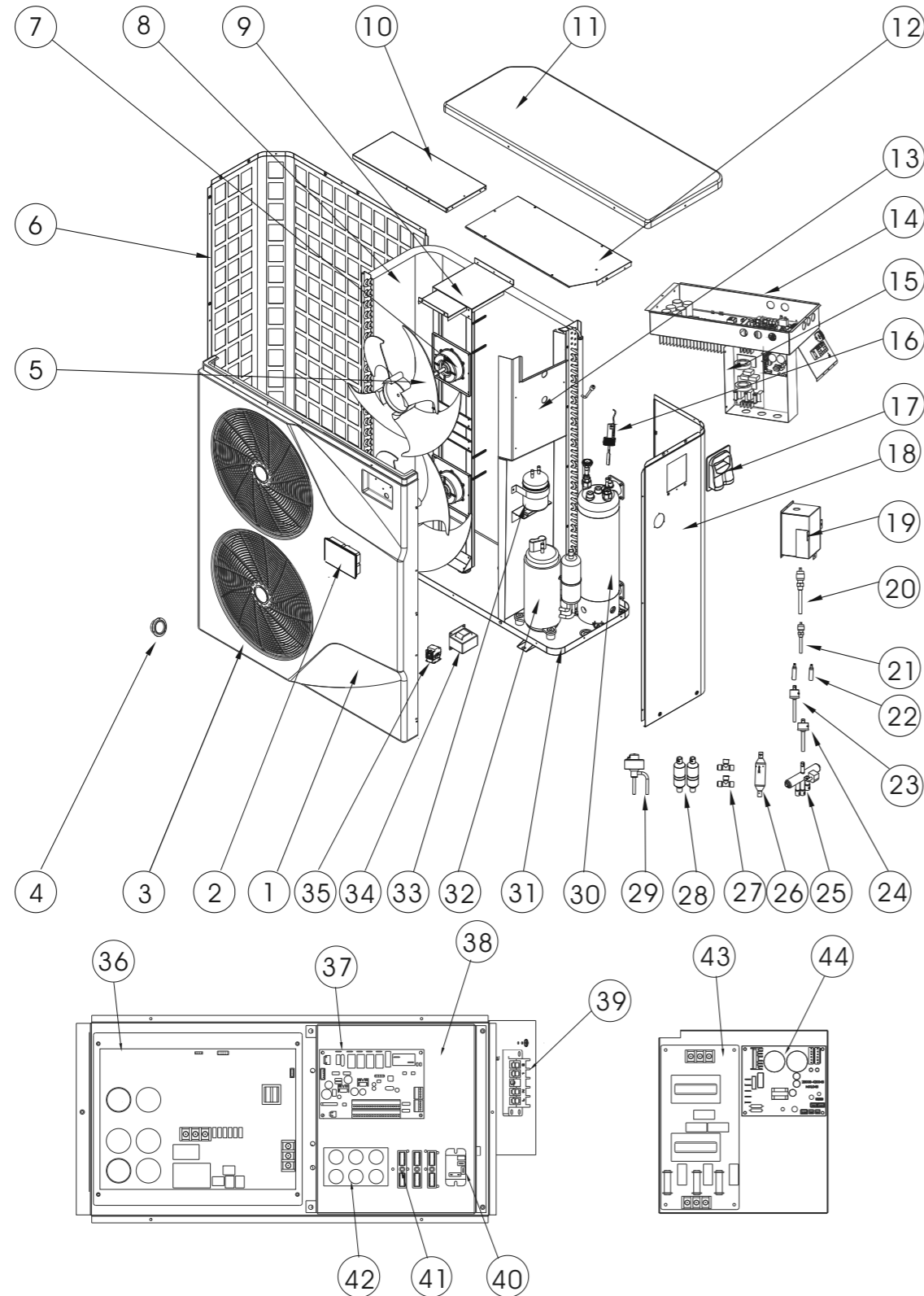


7024632 - NORSUP HEAT PUMP, TYPE PX INVERTER (TYPE P35TX/32)



7024632 - NORSUP HEAT PUMP, TYPE PX INVERTER (TYPE P35TX/32)

NR.	DESCRIPTION	PART NR.
1	Front panel	
2	LED display Norsup P-series	7024942
3	Fan protection net	
4	Pressure meter 0-55bar gas R 32 (-15°C)	7026259
5	Fan blade 500mm x 145mm, 10mm hole anticlockwise	7024880
6	Back panel	
7	Fan motor ZWS75-A	7024943
8	Evaporator	
9	Fan motor bracket	
10	Supporting panel	
11	Top lid 1115 x 430 mm	7033048
12	Electrical box cover	
13	Middle separation panel	
14	Electrical box(1)	
15	Electrical box (2)	
16	Water flow switch with glue adapter 32 mm	7006471
17	Connected cover	
18	Right pannel	
19	Explosion-proof box	
20	Needle valve(1)	
21	Needle valve(2)	
22	Variable diameter connection	
23	High pressure switch 3.2MPa/4.4MPa	7011008
24	Low pressure switch 0.3MPa/0.15MPa	7011009
25	4-way reverse valve	
26	Check valve	
27	3-way connection	
28	Filter(1)	
29	Electronic expansion valve	
30	Titanium heat exchanger P35X/32	7025130
31	Chassis	
32	Compressor	
33	Fluid reservoir	
34	Reactance	
35	Three-phase AC monitor	
36	Driver board 2AC58I16WM2	7024941
37	Main board 20000-430227 302020-00000028	7024939
38	Electric box lining board	
39	5-way wire connector	7011025
40	Relay	
41	2-way wire connector	7011019
42	Capacitor plate P20X/26X/35X T series	7025127
43	Frequency controller plate P20X/26X/35X T series	7025126
44	Fan speed control plate P26X/35X series	7025129
	Temperature sensor 5K	7011007
	Exhausted temperature sensor 50K	7024867
	Rubber feet	
	Flotide Union coupler with O-ring PVC-U 50 mm x 1 1/2" glue socket x male thread 10bar grey	0100432
	Extension cable 10 m + display housing Norsup PX/32 series	7025131
	Winter cover L*W*H 120x50x128 cm	7025374
	Drain hose for heat pump L=102cm ø=12mm grey	7026961
	Hosetail drain outlet for heat pump black	7026962