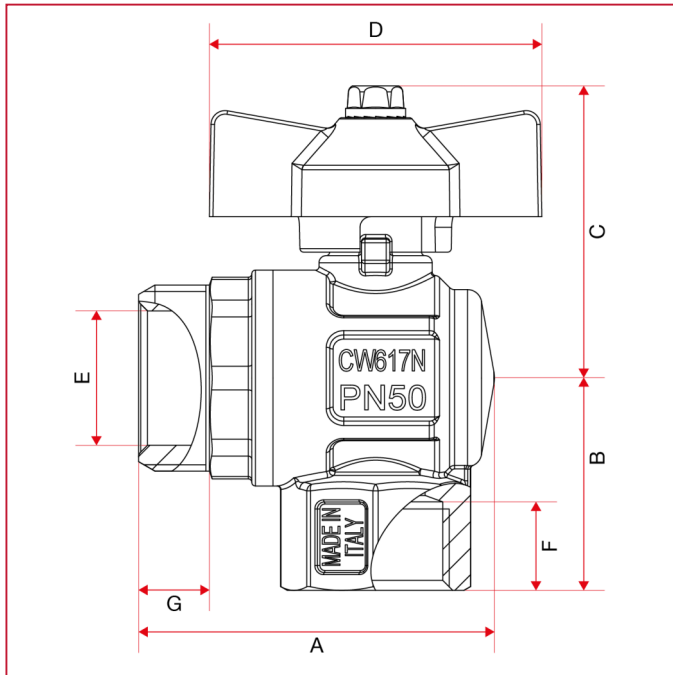




## 298SDC Ideal angle ball valve without union, full flow for manifolds

### OVERALL DIMENSIONS



	3/4"	1"
DN	20	25
A	40	47
B	33,5	39,75
C	47	51
D	62	62
E	18	23
F	13,5	15
G	12	14
Kg/cm <sup>2</sup> bar	40	40
LBS - psi	580	580