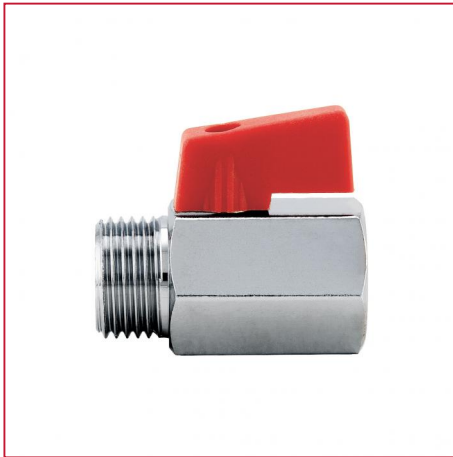




MINI BALL VALVES

126 MINI ball valves

MINI



| SIZE | PRESSURE | CODE | PACKING |
|--------------|--------------|-----------|---------|
| 1/8" (DN 6) | 10bar/145psi | 1260018/N | 20/320 |
| 1/4" (DN 8) | 10bar/145psi | 1260014/N | 20/320 |
| 3/8" (DN 10) | 10bar/145psi | 1260038/N | 20/320 |
| 1/2" (DN 15) | 10bar/145psi | 1260012/N | 20/220 |
| 3/4" (DN 20) | 10bar/145psi | 1260034/N | 15/150 |

CERTIFICATIONS



TECHNICAL SPECIFICATIONS

Threads: female/female or male/female.

Body in chrome-plated brass.

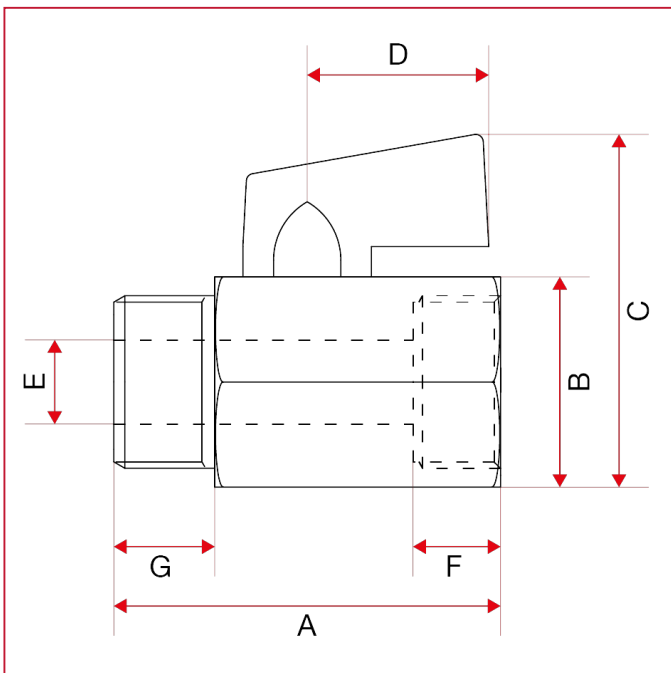
Lever handle in polymer.

Minimum and maximum working temperatures: 0°C, 90°C.

Threads: ISO 228 (equivalent to DIN EN ISO 228 and BS EN ISO 228).

Mention "N" in the code to order the black handle.

OVERALL DIMENSIONS





MINI BALL VALVES

| | 1/8" | 1/4" | 3/8" | 1/2" | 3/4" |
|------------------------|------|------|------|------|------|
| DN | 6 | 8 | 10 | 15 | 20 |
| A | 39 | 39 | 40 | 45 | 54 |
| B | 20 | 20 | 20 | 24 | 30 |
| C | 36,9 | 37,2 | 36,9 | 41,4 | 46,9 |
| D | 22 | 22 | 22 | 22 | 22 |
| E | 5 | 8 | 8 | 10 | 13,5 |
| F | 10 | 10,2 | 9,9 | 11,6 | 12 |
| G | 9 | 9,2 | 10,2 | 12,2 | 14,5 |
| Kg/cm ² bar | 10 | 10 | 10 | 10 | 10 |
| LBS - psi | 145 | 145 | 145 | 145 | 145 |