

Sand Filter
7024317

Technical Drawing

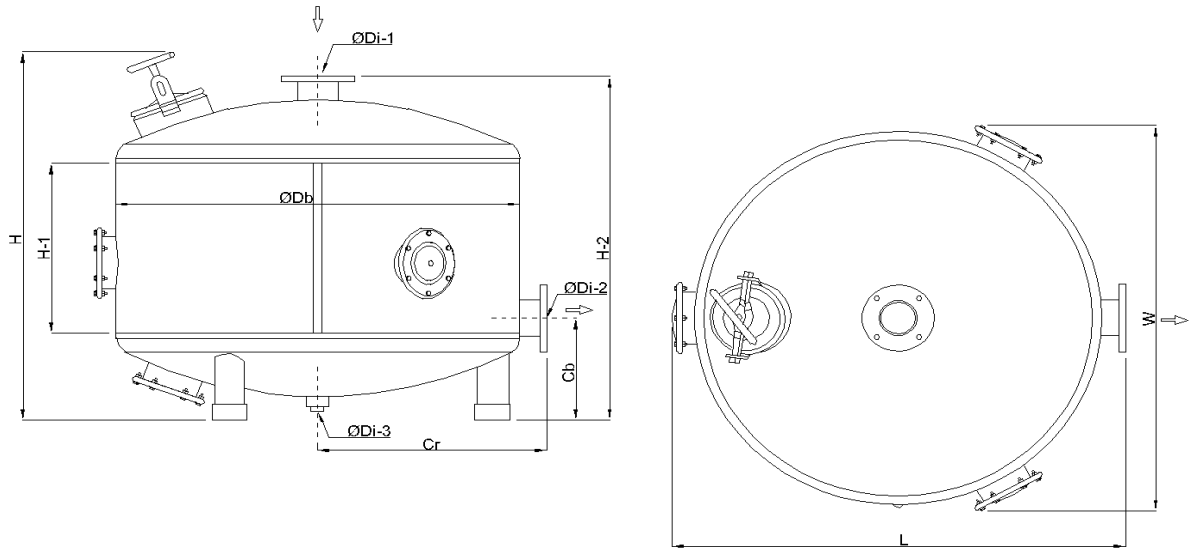


Table of size in (mm)

Model	L	W	H	H-1	H-2	Cb	Cr	Db	Di-1	Di-2	Di-3	Recom. Flow Rate (m ³ /h)	Backwash Flow Rate (m ³ /h)	Filtration area (m ²)	Weight Unit (kg)	No. Gravel bags of 25 kg
7024317	1378	1242	1189	554	1110	330	675	48"	4"	4"	2"	55-79	96	1.13	246	23