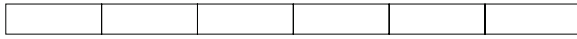
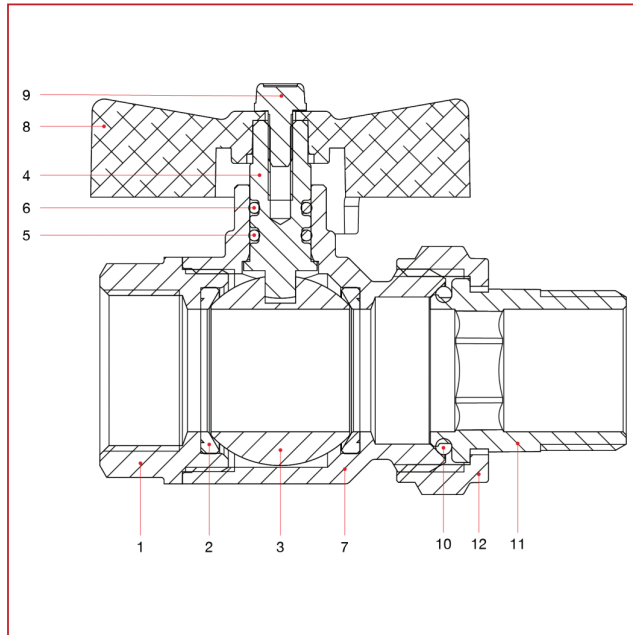




FULL FLOW BALL VALVES: IDEAL



MATERIALS sizes 1/2" through 1"1/4

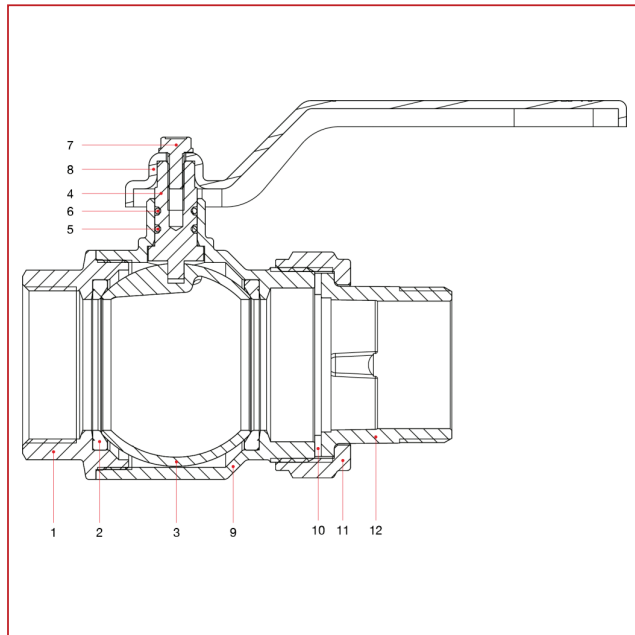


POS.	DESCRIPTION	N.	MATERIAL
1	Female end adapter	1	Nickel-plated brass CW617N
2	Seat	2	P.T.F.E.
3	Ball	1	Chrome-plated brass CW617N
4	Stem	1	Brass CW614N
5	O-ring	1	NBR
6	O-ring	1	Viton®
7	Body	1	Nickel-plated brass CW617N
8	T handle	1	Varnished aluminium
9	Screw	1	Zinc-plated steel C4C
10	O-ring	1	NBR
11	Union	1	Nickel-plated brass CW617N
12	Nut	1	Nickel-plated brass CW617N



FULL FLOW BALL VALVES: IDEAL

MATERIALS sizes 1"1/2 through 2"



POS.	DESCRIPTION	N.	MATERIAL
1	Female end adapter	1	Nickel-plated brass CW617N
2	Seat	2	P.T.F.E.
3	Ball	1	Chrome-plated brass CW617N
4	Stem	1	Brass CW614N
5	O-ring	1	NBR
6	O-ring	1	Viton®
7	Screw	1	Zinc-plated steel C4C
8	Lever handle	1	Varnished steel P04
9	Body	1	Nickel-plated brass CW617N
10	Flat seat washer	1	NBR
11	Nut	1	Nickel-plated brass CW617N
12	Union	1	Nickel-plated brass CW617N