



**General:**

- Material PVC-U
- Types: 45°, 90°

**Connector Types:**

- solvent socket
- solvent socket- female thread
- solvent socket- male thread
- solvent socket – spigot socket reduced

**Dimensions:**

- see table

**Operation pressure:**

- see table

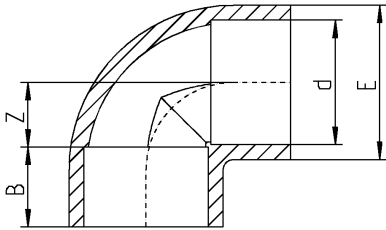
**technical features:**

- designed for usage of 25 years with media water and 20°C media temperatur
- due to ISO 727, DIN EN ISO 1452, DIN EN ISO 15493 , ISO 7-1
- bonded joints have to be conform with DVS 2204-4
- IBG® PVC-U assortment optimized for the process of dry installation (for details see technical declaration: dry installation of IBG® PVC-U Fittings)

This document does not constitute a guarantee, it is for initial information purposes only. The product range is continually upgraded, the designs and types therefore only reflect the state of the art at the time of printing.  
Subject to technical modifications!

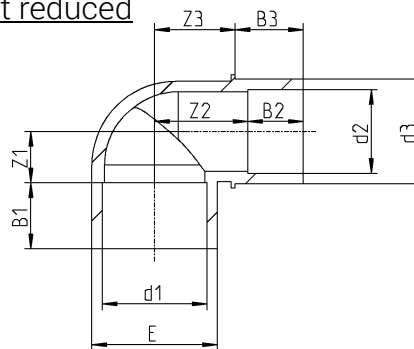
Dimensions and operation pressure:

elbow 90° solvent socket



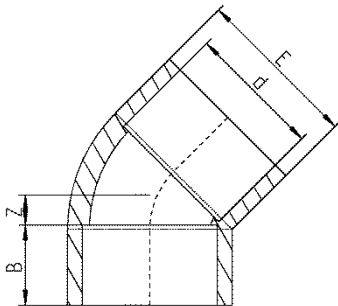
d	PN	B	Z	E
10	16	12	6	16
12	16	12,5	7,5	16,5
16	16	14,5	9	23
20	16	16,5	11	28
25	16	19,5	13,5	33,5
32	16	23	16,5	41,5
40	16	26,5	20,5	51
50	16	32	26	62
63	16	38,5	33,5	76
75	16	44	39	93
90	16	51,5	47,5	110
110	16	62	56	132,5
125	16	69	63,5	152
140	16	76,5	70,5	168
160	16	87	80	192
200	10	107	106	238
225	10	120	118,5	265
250	10	132	131	292
280	10	147	210	324
315	10	165	237	365
355	5	184	177	393
400	6	207	300	444

elbow 90° solvent socket – spigot socket reduced



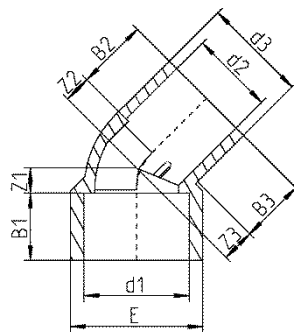
d1	d2	d3	PN	E	B1	B2	B3	Z1	Z2	Z3
50	40	50	10	60	31,5	26,5	32,5	24,5	44,5	38,5
63	50	63	10	77	41	32	37	34	49,5	44,5

elbow 45° solvent socket



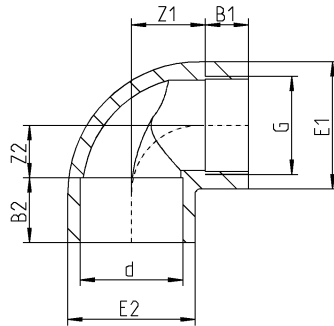
d	PN	B	Z	E
10	16	12	3	16
12	16	12	4	18
16	16	14	4	23
20	16	17	5	27,5
25	16	19,5	6	34
32	16	22,5	7,5	42
40	16	27,5	9	52,5
50	16	32,5	11	62,5
63	16	38	14	77,5
75	16	44,5	18	90,5
90	16	52	20	110,5
110	16	62	26	131,5
125	16	69	28	151
140	16	77	30	165,5
160	16	86	34,5	189
200	10	107	49	232
225	10	120	54	257
250	10	132	60	283
280	10	147	66	318
315	10	165	74	356
355	5	184	77	393
400	6	207	86,5	444

elbow 45° solvent socket – spigot socket reduced



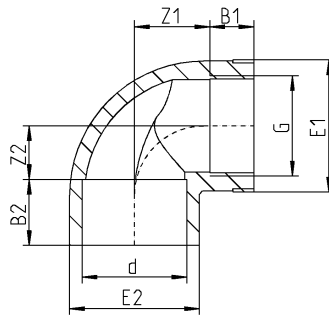
d1	d2	d3	PN	E	B1	B2	B3	Z1	Z2	Z3
50	40	50	10	63	32	34	31	12	13	16
63	50	63	10	77	40	32	37	11	26	21

elbow 90° solvent socket – female thread BSP



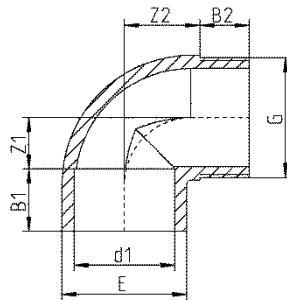
d	G	PN	B1	Z1	E1	B2	Z2	E2
10	1/4"	10	13	8	20	12,5	7	16,5
12	1/4"	10	13	8	20	12,5	7	16,5
16	3/8"	10	12	11	23	14	9	23
20	1/2"	10	15	12,5	28	16	11,5	28
25	3/4"	10	16	17,5	33,5	20	13,5	33,5
32	1"	10	20	19	41,5	23	16	41,5
40	1 1/4"	10	20	27	51	26,5	20,5	51
50	1 1/2"	10	21	36	62	31,5	25,5	62
63	2"	10	26	45	76	38,5	32,5	76

elbow 90° solvent socket – female thread BSP reinforced



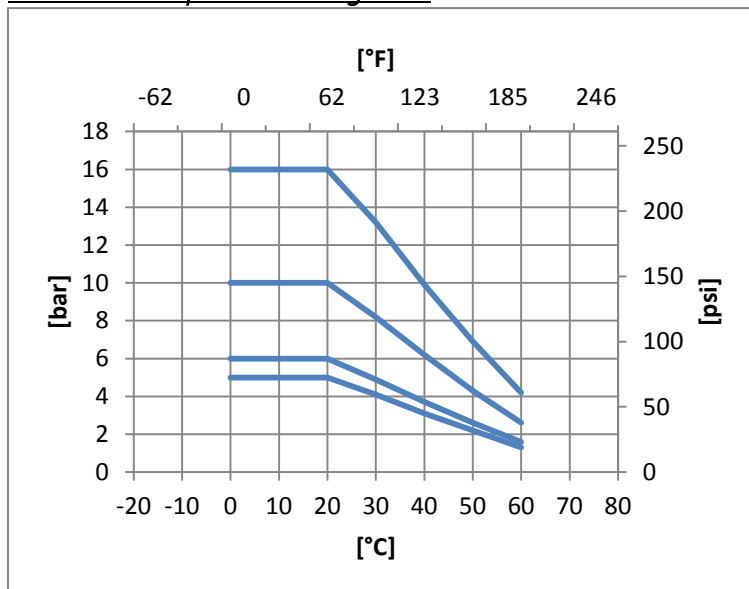
d	G	PN	B1	Z1	E1	B2	Z2	E2
16	3/8"	16	13	11	25	14	9	23
20	1/2"	16	15	12,5	29	16	11,5	28
25	3/4"	16	16	17,5	35	20	13,5	33,5
32	1"	16	20	19	42	23	16	41,5
40	1 1/4"	16	23	24	51	26,5	20,5	51
50	1 1/2"	16	21	36	63	31,5	25,5	62
63	2"	16	26	45	76	38,5	32,5	76
75	2 1/2"	10	36	47	94	44	39	92
90	3"	10	39	58	112	51	46	110
110	4"	10	39	80	135	61	58	133

elbow 90° solvent socket – male thread BSP



d1	G	PN	Z1	B1	Z2	B2	E
20	3/4"	16	11	16	17	16	27,5
25	1"	16	17	19	20	19	33
32	3/4"	10	21	22	29	19	42
32	1"	10	21	22	30	19	40
32	1 1/4"	10	17,5	22	24	19	40,5
40	1 1/4"	10	21	26	28	21,5	50
40	1 1/2"	10	23	26	28	21	49
50	1 1/4"	10	26,5	30,5	37,5	22	62
50	1 1/2"	10	24,5	31,5	37	21,5	60
50	2"	10	25,5	31	37,5	24,5	62

Pressure-temperature-diagram :



The pressure-temperature-diagram is based on a safety factor of 2.5 and a life cycle time of 25 years.