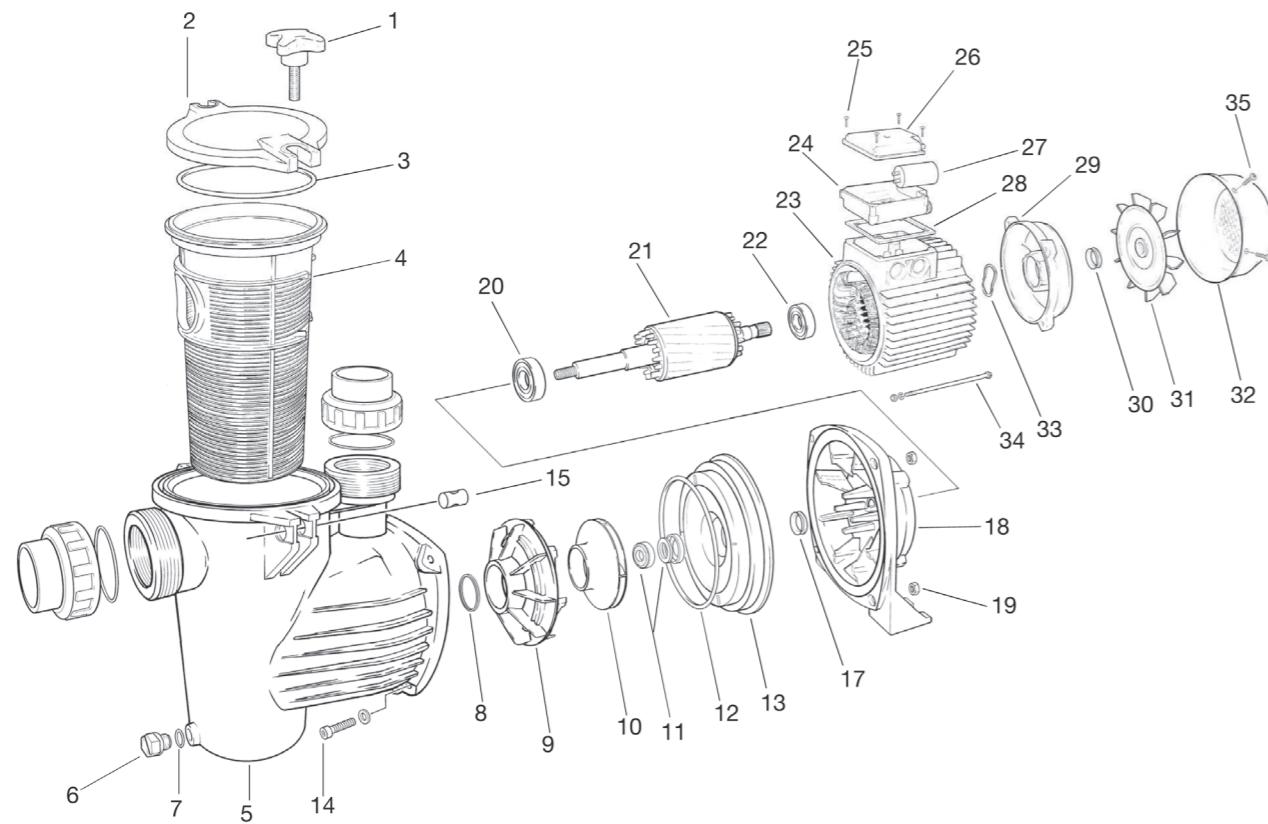


# SPARE PARTS

Saci pool pump Optima



## Saci pool pump Optima

NR.	DESCRIPTION	FOR PUMP	PART NR. INCLUDES	PART NR.
1	Pre-filter handle		1	7012149
2	Pre-filter cover		1	7012150
3	Pre-filter joint		1	7012151
4	Pre-filter basket		1	7012152
5	Pump body		1	7012153
6	Draining plug		1	7012154
7	Draining plug O-ring		1	7012155
8	Diffuser Joint		1	
9	Diffuser		1	
10a	Impeller	Optima 25	1	7012156
10b	Impeller	Optima 33	1	7012157
10c	Impeller	Optima 50	1	7012158
10d	Impeller	Optima 75	1	7012159
10e	Impeller	Optima 100	1	7012160
11	Mechanical seal		1	7012161
12	Pump Body Lid O-ring		1	
13	Pump Body Lid		1	
14	Pump Body Securing Screw		1	
15	Prefilter Handle Cilinder		1	
17	Front IP55 Protection Seal		1	
18	Pump Support		1	
19	Pump Body Securing Nut		1	
20	Front Ball Bearing		1	
21	Shaft With Rotor		1	
22	Back Ball Bearing		1	
23	Motor Casing		1	
24	Terminal Box		1	
25	Terminal Box Screw		1	
26	Terminal Box Cover		1	
27	Capacitor 20µF	Optima 25/33/50/75/100	1	7010426
28	Terminal Box Gasket		1	
29	Back Motor Cover		1	
30	Back IP55 Protection Seal		1	
31a	Fan	Optima 25/33/50	1	7012163
31b	Fan	Optima 75/100	1	7012164
32a	Fan cover	Optima 25/33/50	1	7012165
32b	Fan cover	Optima 75/100	1	7012166
33	Thrust Washer		1	
34	Tie Rod		1	
35	Fan Cover Screw		1	